

# Service Single-Deck Merchandiser w/ Curved Lift Glass

## SSAM-RG REMOTE GRAVITY - 4', 6', 8' & 12'

### Electrical Data

Model		Fans per Case	High Efficiency Fans		Anti-Condensate Fans		Drain Heaters		Optional Defrost Heaters			
			120 Volts		120 Volts		120 Volts		208 Volts		240 Volts	
			Amps	Watts	Amps	Watts	Amps	Watts	Amps	Watts	Amps	Watts
SSAM-RG	4'	--- <sup>1</sup>	---	---	---	---	---	---	---	---	---	---
	6'	---	---	---	---	---	---	---	---	---	---	---
	8'	---	---	---	---	---	---	---	---	---	---	---
	12'	---	---	---	---	---	---	---	---	---	---	---

### Lighting Data

Model		Lights per Row	Light Length (ft)	Clearvoyant 4 LED Lighting (Per Light Row)			
				Standard Power (Cornice or Shelf)		High Power (Cornice)	
				120 Volts		120 Volts	
				Amps	Watts	Amps	Watts
SSAM-RG	4'	1	4	0.05	5.9	0.12	14.9
	6'	2	3	0.08	9.4	0.20	23.8
	8'	2	4	0.10	11.8	0.24	29.8
	12'	3	4	0.15	17.7	0.36	44.7

### Guidelines & Control Settings (DX)

Model		Conventional <sup>4</sup> BTUH/ft	Parallel <sup>5</sup> BTUH/ft	Superheat Set Point @ Bulb (°F)	Evaporator <sup>6,7</sup> (°F)	Discharge Air (°F)	Discharge Air <sup>8</sup> Velocity (FPM)
SSAM-RG	DX	316	243	6-8	20	28	---
	DX w/ Misting System <sup>2,3</sup>	130	119	6-8	20	30	---

### Defrost Controls

Model		Defrosts <sup>9</sup> per Day	Run-Off Time (min) <sup>10</sup>	Electric Defrost		Timed-Off Defrost		Hot Gas Defrost	
				Fail-Safe (min)	Termination Temp (°F)	Fail-Safe (min)	Termination <sup>11</sup> Temp (°F)	Fail-Safe (min)	Termination Temp (°F)
SSAM-RG	DX	2	5	---	---	105	42	20	60
	DX w/ Misting System	6	5	---	---	105	42	20	60

- 1 NOTE: "---" indicates data not applicable.
  - 2 Recommended misting system setup is 30 seconds misting at 6 minute intervals.
  - 3 The provided 'DX w/ Misting System' data includes all guidelines and control settings for the entire case system. Do NOT add any additional BTUH to the listed ratings unless specified here in the case notes section.
  - 4,5 Add 130 BTUH for misting pump and 5.5 amps for water pump.
  - 6 Serpentine coil requires 32°F SST.
  - 7 Evaporator temperature is to be set at 15° when a shelf is in use.
  - 8 Average discharge air velocity at peak of defrost.
  - 9 Units equipped with RH systems require 2 defrosts per day with a fail-safe of 120 minutes.
  - 10 Run-off time (min) for hot gas defrost only.
  - 11 Defrost termination temperature for the suction manifold.
- \* Listed data is based on the factory recommended default fresh meat temperature settings.  
 \* Shelves are not recommended for fresh meat applications.

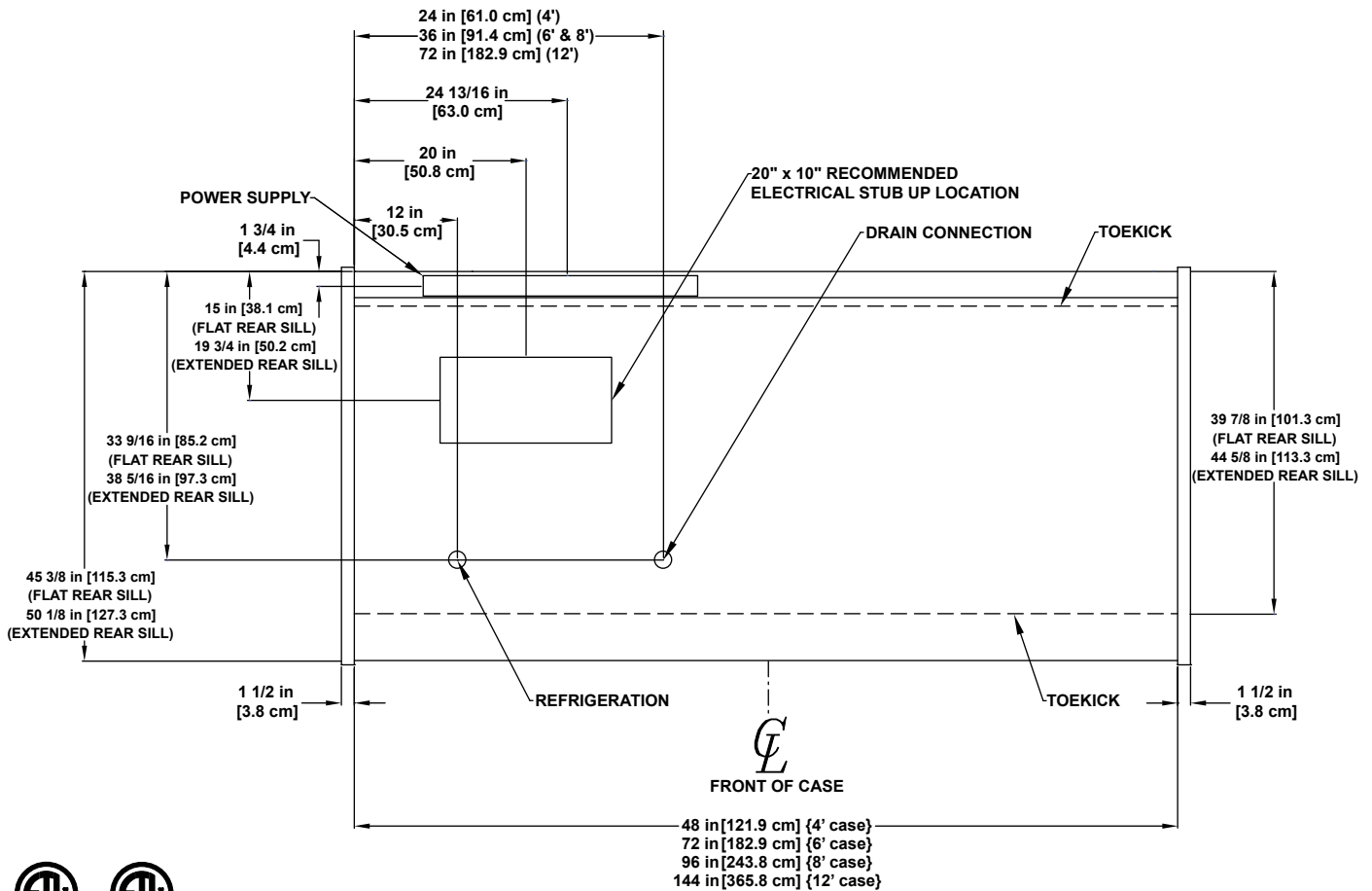
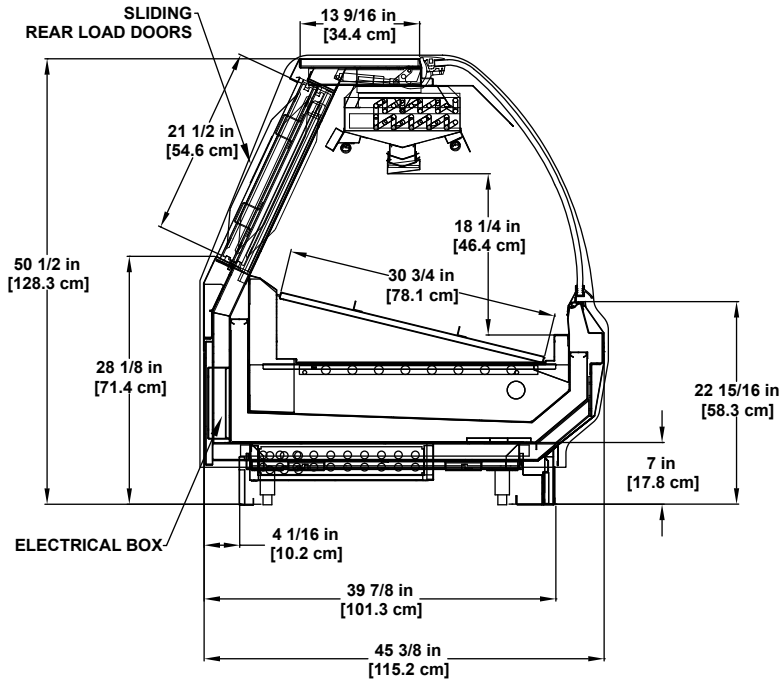
Engineered for stores with ambient conditions not to exceed 75° and 55% relative humidity. Due to engineering improvements specifications may change without notice. All measurements are taken per ASHRAE - 72 - 2005 specifications. Hillphoenix refrigerated display cases for sale in the United States meet or exceed department of energy 2017 efficiency requirements. Numbers are based on standard case sizes. Consult engineering.



**SSAM-RG**  
(Remote Gravity)

**Hillphoenix**

A DOVER COMPANY



SERVICE  
SINGLE-DECK  
Meat / Seafood

