

Service Single-Deck Merchandiser w/ Curved or Flat Fixed Glass

SSD-LT-F REMOTE - 4', 6' & 8'

Electrical Data

Model		Fans per Case	High Efficiency Fans		Anti-Condensate Glass Heaters		Drain Heaters		Optional Defrost Heaters			
			120 Volts		120 Volts		120 Volts		208 Volts		240 Volts	
			Amps	Watts	Amps	Watts	Amps	Watts	Amps	Watts	Amps	Watts
SSD-LT-F	4'	1	0.3	36	0.96	115	0.075	9	4.57	950	---	---
	6'	2	0.6	72	1.6	192	0.075	9	5.53	1150	---	---
	8'	3	0.9	108	1.92	230	0.075	9	9.14	1900	---	---

Lighting Data

Model		Lights per Row	Light Length (ft)	Clearvoyant 4 LED Lighting (Per Light Row)			
				Standard Power (Cornice or Shelf)		High Power (Cornice)	
				120 Volts		120 Volts	
				Amps	Watts	Amps	Watts
SSD-LT-F	4'	1	4	0.05	5.9	0.12	14.9
	6'	2	3	0.08	9.4	0.20	23.8
	8'	2	4	0.10	11.8	0.24	29.8

Guidelines & Control Settings (DX)

Model	Conventional BTUH/ft	Parallel BTUH/ft	Superheat Set Point @ Bulb (°F)	Evaporator (°F)	Discharge Air (°F)	Discharge Air ² Velocity (FPM)
SSD-LT-F	490	450	3-5	-20	-12	120

Defrost Controls

Model	Defrosts per Day	Run-Off Time (min)	Electric Defrost		Timed-Off Defrost		Hot Gas Defrost	
			Fail-Safe (min)	Termination Temp (°F)	Fail-Safe (min)	Termination Temp (°F)	Fail-Safe (min)	Termination Temp (°F)
SSD-LT-F	3	---	40	45	---	---	---	---

1 NOTE: "---" indicates data not applicable.

2 Average discharge air velocity at peak of defrost.

* Listed data is based on the factory recommended default fresh meat temperature settings.

Engineered for stores with ambient conditions not to exceed 75° and 55% relative humidity.

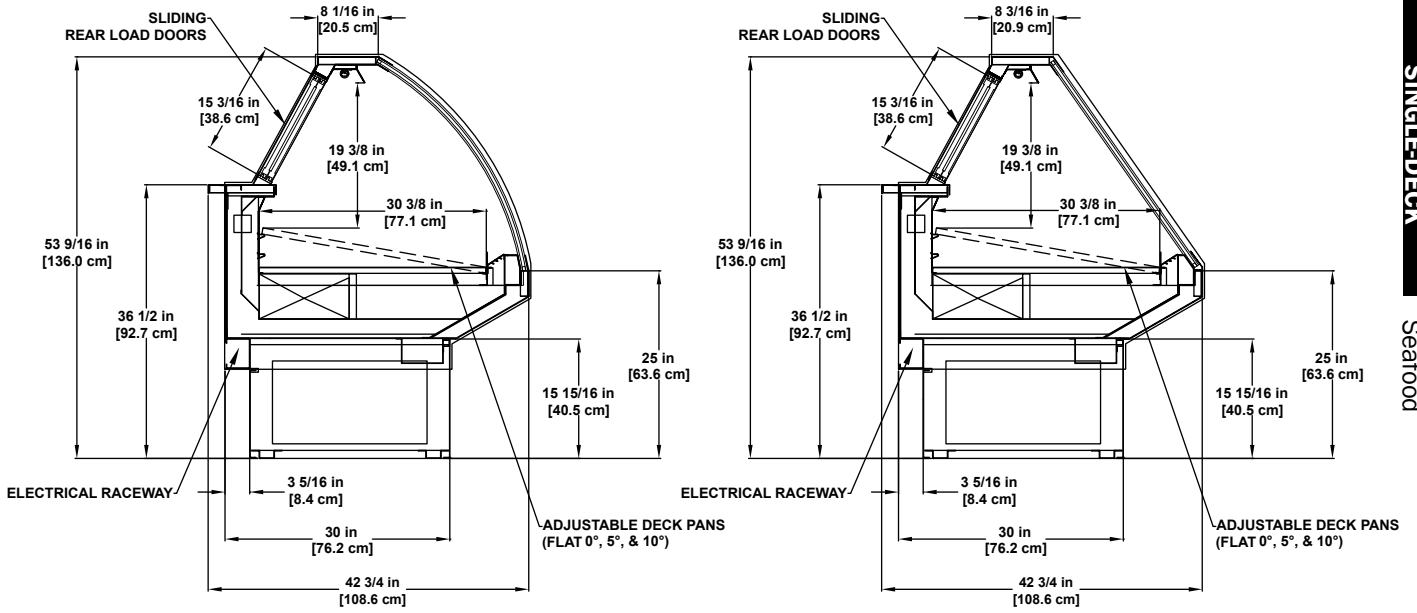
Due to engineering improvements specifications may change without notice.

All measurements are taken per ASHRAE - 72 - 2005 specifications.

Hillphoenix refrigerated display cases for sale in the United States meet or exceed department of energy 2017 efficiency requirements.

Numbers are based on standard case sizes. Consult engineering.





CURVED GLASS

FLAT GLASS

**SERVICE
SINGLE-DECK**

Seafood

