

Service Single-Deck Merchandiser w/ Curved Lift Glass

SSD REMOTE - 4', 6', 8', 10' & 12'

Electrical Data

Model		Fans per Case	High Efficiency Fans		Anti-Condensate Fans		Drain Heaters		Optional Defrost Heaters	
			120 Volts		120 Volts		120 Volts		208 Volts	
			Amps	Watts	Amps	Watts	Amps	Watts	Amps	Watts
SSD	4'	1	0.3	36	0.52	62.4	---	---	---	---
	6'	2	0.6	72	0.78	93.6	---	---	---	---
	8'	3	0.9	108	1.04	124.8	---	---	---	---
	10'	3	0.9	108	1.3	156	---	---	---	---
	12'	4	1.2	144	1.56	187.2	---	---	---	---

Lighting Data

Model		Lights per Row	Light Length (ft)	Clearvoyant 4 LED Lighting (Per Light Row)			
				Standard Power (Cornice or Shelf)		High Power (Cornice)	
				120 Volts		120 Volts	
				Amps	Watts	Amps	Watts
SSD	4'	1	4	0.05	5.9	0.12	14.9
	6'	2	3	0.08	9.4	0.20	23.8
	8'	2	4	0.10	11.8	0.24	29.8
	10'	2	5	0.12	15.0	0.30	37.0
	12'	3	4	0.15	17.7	0.36	44.7

Guidelines & Control Settings (DX)

Model	Conventional BTUH/ft	Parallel BTUH/ft	Superheat Set Point @ Bulb (°F)	Evaporator ³ (°F)	Discharge Air (°F)	Discharge Air ⁴ Velocity (FPM)
SSD	541	473	6-8	26	31	280-310

Defrost Controls

Model	Defrosts per Day	Run-Off Time (min)	Electric Defrost		Timed-Off Defrost		Hot Gas Defrost	
			Fail-Safe (min)	Termination Temp (°F)	Fail-Safe (min)	Termination Temp (°F)	Fail-Safe (min)	Termination Temp (°F)
SSD	6	0	---	---	30	47	---	---

1 NOTE: "---" indicates data not applicable.

2 Add the following amps per case for the listed wedges:

22 1/2 LED: 0.01 Amps

45 LED: 0.01 Amps

90 LED: 0.02 Amps

3 Minimum operating evaporator temperature allowed is 20°F with no changes in the defrost schedule.

4 Average discharge air velocity at peak of defrost.

Engineered for stores with ambient conditions not to exceed 75° and 55% relative humidity.

Due to engineering improvements specifications may change without notice.

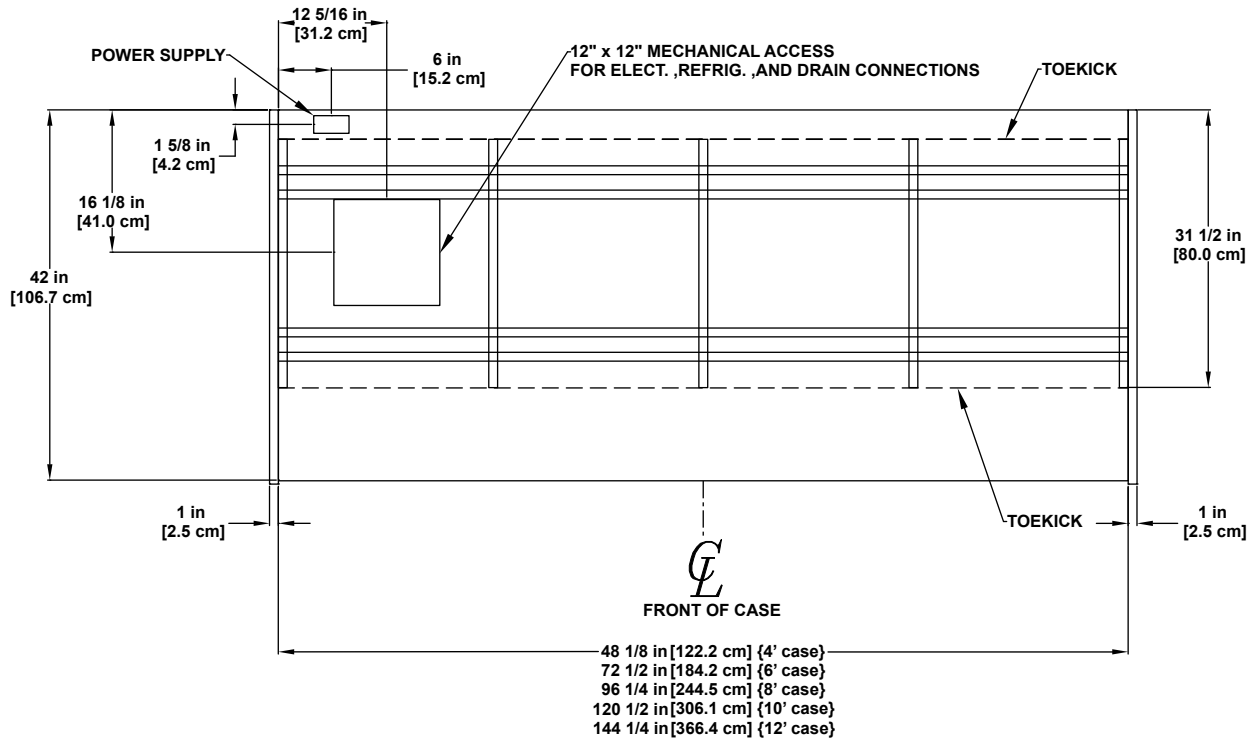
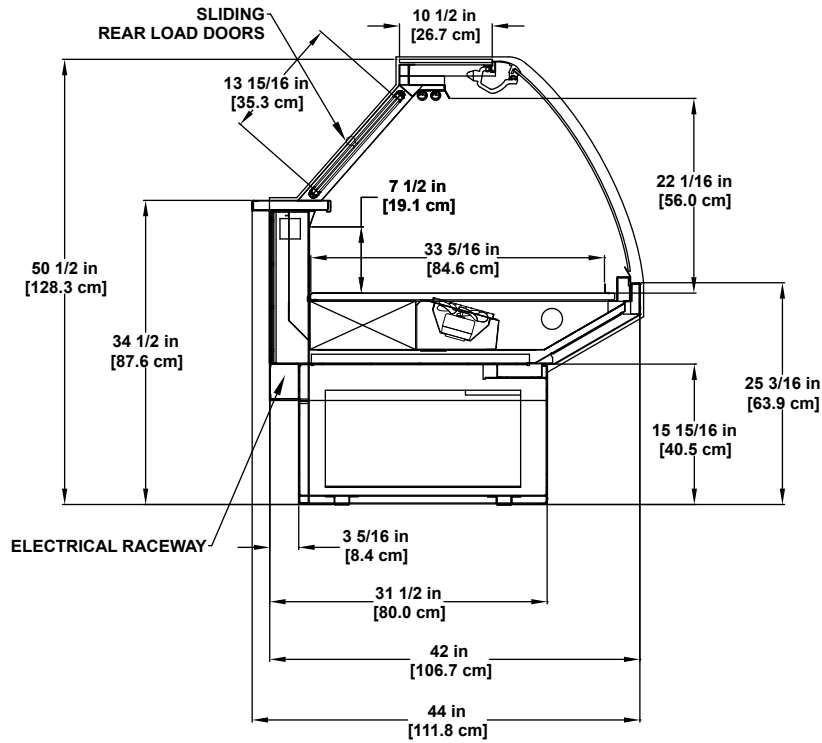
All measurements are taken per ASHRAE - 72 - 2005 specifications.

Hillphoenix refrigerated display cases for sale in the United States meet or exceed department of energy 2017 efficiency requirements.

Numbers are based on standard case sizes. Consult engineering.



**SSD
(Remote)**



**SERVICE
SINGLE-DECK**

Bakery / Deli