

Service Single-Deck Merchandiser w/ Flat Lift Glass

SSFS-RG REMOTE GRAVITY - 4', 6', 8' & 12'

Electrical Data

| Model | | Fans per Case | High Efficiency Fans | | Anti-Condensate Fans | | Drain Heaters | | Optional Defrost Heaters | | | |
|---------|-----|------------------|----------------------|-------|----------------------|-------|---------------|-------|--------------------------|-------|-----------|-------|
| | | | 120 Volts | | 120 Volts | | 120 Volts | | 208 Volts | | 240 Volts | |
| | | | Amps | Watts | Amps | Watts | Amps | Watts | Amps | Watts | Amps | Watts |
| SSFS-RG | 4' | --- ¹ | --- | --- | --- | --- | --- | --- | --- | --- | --- | --- |
| | 6' | --- | --- | --- | --- | --- | --- | --- | --- | --- | --- | --- |
| | 8' | --- | --- | --- | --- | --- | --- | --- | --- | --- | --- | --- |
| | 12' | --- | --- | --- | --- | --- | --- | --- | --- | --- | --- | --- |

Lighting Data

| Model | | Lights per Row | Light Length (ft) | Clearvoyant 4 LED Lighting (Per Light Row) | | | |
|---------|-----|----------------|-------------------|--|-------|----------------------|-------|
| | | | | Standard Power (Cornice or Shelf) | | High Power (Cornice) | |
| | | | | 120 Volts | | 120 Volts | |
| | | | | Amps | Watts | Amps | Watts |
| SSFS-RG | 4' | 1 | 4 | 0.05 | 5.9 | 0.12 | 14.9 |
| | 6' | 2 | 3 | 0.08 | 9.4 | 0.20 | 23.8 |
| | 8' | 2 | 4 | 0.10 | 11.8 | 0.24 | 29.8 |
| | 12' | 3 | 4 | 0.15 | 17.7 | 0.36 | 44.7 |

Guidelines & Control Settings (DX)

| Model | Conventional BTUH/ft | Parallel BTUH/ft | Superheat Set Point @ Bulb (°F) | Evaporator (°F) | Discharge Air (°F) | Discharge Air ² Velocity (FPM) |
|---------|----------------------|------------------|---------------------------------|-----------------|--------------------|---|
| SSFS-RG | 158 | 145 | 6-8 | 20 | 26 | --- |

Defrost Controls

| Model | Defrosts ³ per Day | Run-Off Time (min) | Electric Defrost | | Timed-Off Defrost | | Hot Gas Defrost | |
|---------|-------------------------------|--------------------|------------------|-----------------------|-------------------|-----------------------|-----------------|-----------------------|
| | | | Fail-Safe (min) | Termination Temp (°F) | Fail-Safe (min) | Termination Temp (°F) | Fail-Safe (min) | Termination Temp (°F) |
| SSFS-RG | 2 | --- | --- | --- | 75 | 47 | 20 | 60 |

1 NOTE: "-" indicates data not available.

2 Average discharge air velocity at peak of defrost.

3 Units equipped with RH systems require 2 defrosts per day with a fail-safe of 120 minutes.

* Listed data is based on the factory recommended default fresh meat temperature settings.

* Shelves are not recommended for fresh meat applications.

Engineered for stores with ambient conditions not to exceed 75° and 55% relative humidity.

Due to engineering improvements specifications may change without notice.

All measurements are taken per ASHRAE - 72 - 2005 specifications.

Hillphoenix refrigerated display cases for sale in the United States meet or exceed department of energy 2017 efficiency requirements.

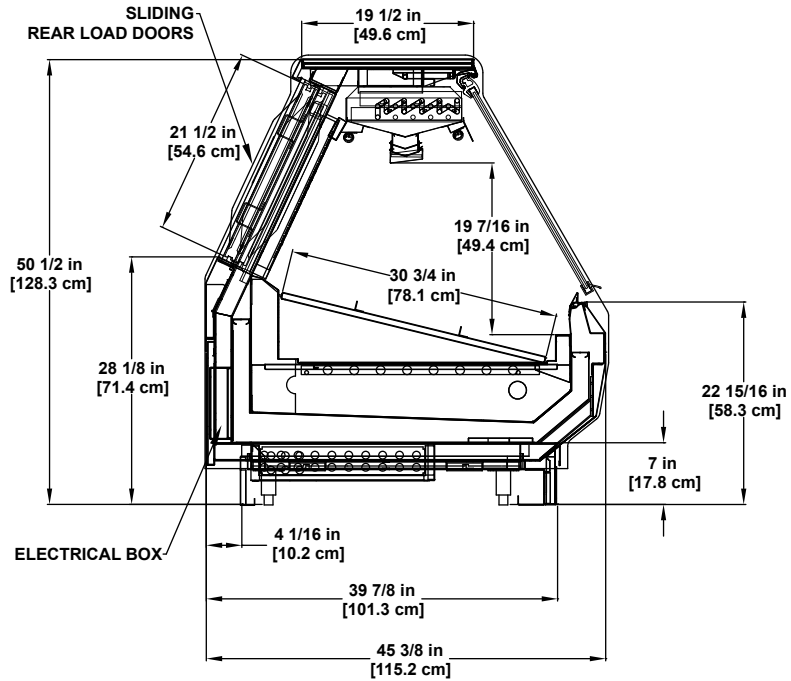
Numbers are based on standard case sizes. Consult engineering.



SSFS-RG
(Remote Gravity)

Hillphoenix

A DOVER COMPANY



SERVICE
SINGLE-DECK
Seafood

