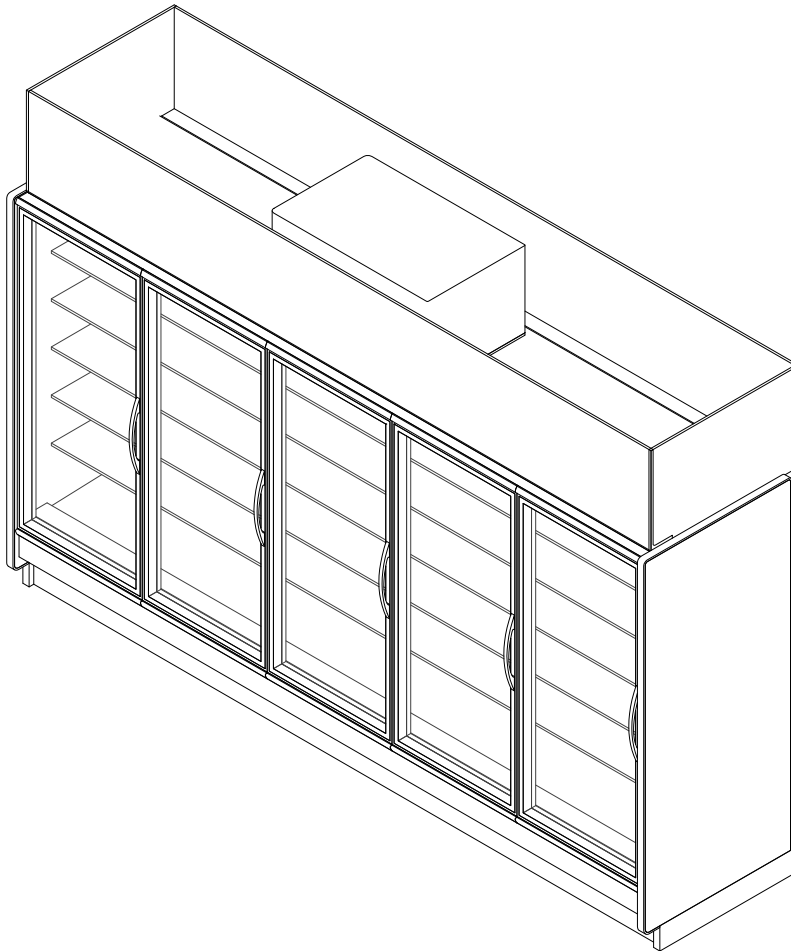


GENERAL NOTES

- Drain heater and fan motors share the same circuit (separate cycles). Electrical circuits must be properly sized to accommodate the higher current draw of the tank heater.
- Light controls - occupancy sensors are required.
 - Option 1: OEM Provided: OEM anti-condensate and lighting controls (on/off) are standard unless otherwise specified.
 - Option 2: End User Provided: Light controls should be based on occupancy sensors. Store level A/S control should be set to 30% minimum off time at 75°F/55%RH.



SHIPPING WEIGHT	
Case Model	Weight
JNRZHA	---



JNRZHA

ALL MEASUREMENTS ARE TAKEN PER ASHRAE-72-2005 SPECIFICATIONS. HILLPHOENIX REFRIGERATED DISPLAY CASES FOR SALE IN THE UNITED STATES MEET OR EXCEED DEPARTMENT OF ENERGY 2017 REQUIREMENTS.

Rev Date:	Rev #	Revision Description:
4-13-18	2	NEW STANDARDS
12-1-17	1	DOE 2017

SYSTEM REQUIREMENTS

Case Length	Volts	Phase	Frequency (Hz)	Provided Overcurrent Protection
2 Door	208	1	60	30
3 Door	208	1	60	30
4 Door	208	1	60	30
5 Door	208	1	60	30

GUIDELINES AND CONTROL DATA

Case Length	24hr Energy Usage* (kWh)	Superheat Set Point @ Bulb (°F)	Discharge Air (°F)	Discharge Air Velocity (FPM)
2 Door	19.72	3 - 5	-8	300
3 Door	23.45	3 - 5	-8	300
4 Door	30.81	3 - 5	-8	300
5 Door	38.73	3 - 5	-8	300

*- 24 Hour Energy values includes evaporate fans, standard LEDs, anti-condensate heat & condensing unit

CONDENSING UNIT DATA

Case Length	Volts	Phase	Frequency (Hz)	Horsepower	Running Load Amps (RLA)	Locked Rotor Amps (LRA)	Refrigerant	Lbs. of Refrigerant
2 Door	208	1	60	3/4	9	43	R404A	2.8
3 Door	208	1	60	1	9.3	46	R404A	3.4
4 Door	208	1	60	1 1/4	12.6	55	R404A	3.7
5 Door	208	1	60	2	12	56	R404A	6.2

DEFROST CONTROLS

Defrosts Per Day	Electric Defrost	
	Electric Defrost Fail-Safe (Min)	Electric Defrost Termination Temp (°F)
1	45	48

DEFROST SCHEDULE

Defrosts Per Day	Time
1	12 Midnight
2	12 a.m. - 12 p.m.
3	6 a.m. - 2 p.m. - 10 p.m.
4	12 a.m. - 6 a.m. - 12 p.m. - 6 p.m.
6	12 a.m. - 4 a.m. - 8 a.m. - 12 p.m. - 4 p.m. - 8 p.m.

NOTES

- "----" indicates that this feature is not an option on this case model.
- Defrost heater 3-phase load is unbalanced.
- 3-phase defrost heater data listed represents the maximum amps per phase.
- Data listed is for Optimax Radiant and low power Optimax Pro (high power available). For other lighting options please contact your sales representative.
- Listed discharge air velocity represents the average velocity at the peak of defrost.
- No run-off time required for electrical defrost.
- Typical electric defrost time is 20 minutes when ambient conditions are 75°F / 55%RH.
- Anti-condensate heat values for Low E doors represent a door with no heat on the glass.
- Temperature and defrost settings listed below are recommended start-up settings. Final operational settings may need to be adjusted for the store conditions in which the case operates.
- The recommended evaporator temperatures may need to be adjusted based on system setup, store conditions, etc. The minimum recommended evaporator temperature is 4°F below the listed evaporator temperature.
- Light and A/S wattages below reflect 100% run time. To determine actual daily energy usage at 75°F/55%RH conditions, reduce the light wattages below by 42% and reduce the A/S values below by the minimum off time.

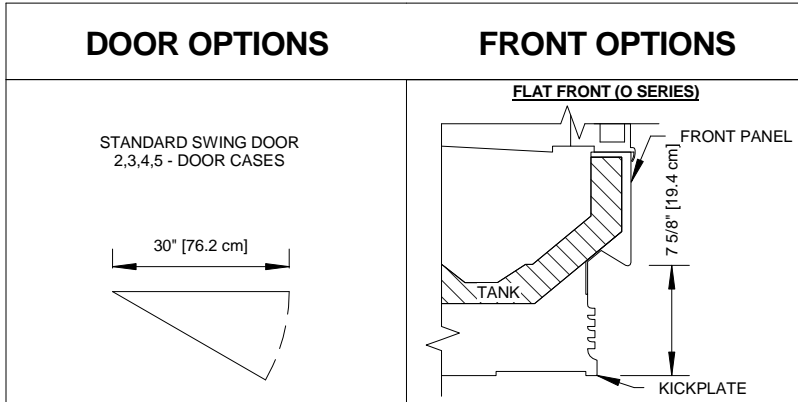


JNRZHA

ALL MEASUREMENTS ARE TAKEN PER ASHRAE-72-2005 SPECIFICATIONS. HILLPHOENIX REFRIGERATED DISPLAY CASES FOR SALE IN THE UNITED STATES MEET OR EXCEED DEPARTMENT OF ENERGY 2017 REQUIREMENTS.

Rev Date:	Rev #	Revision Description:
4-13-18	2	NEW STANDARDS
12-1-17	1	DOE 2017

Hillphoenix
A DOVER COMPANY



NOTES

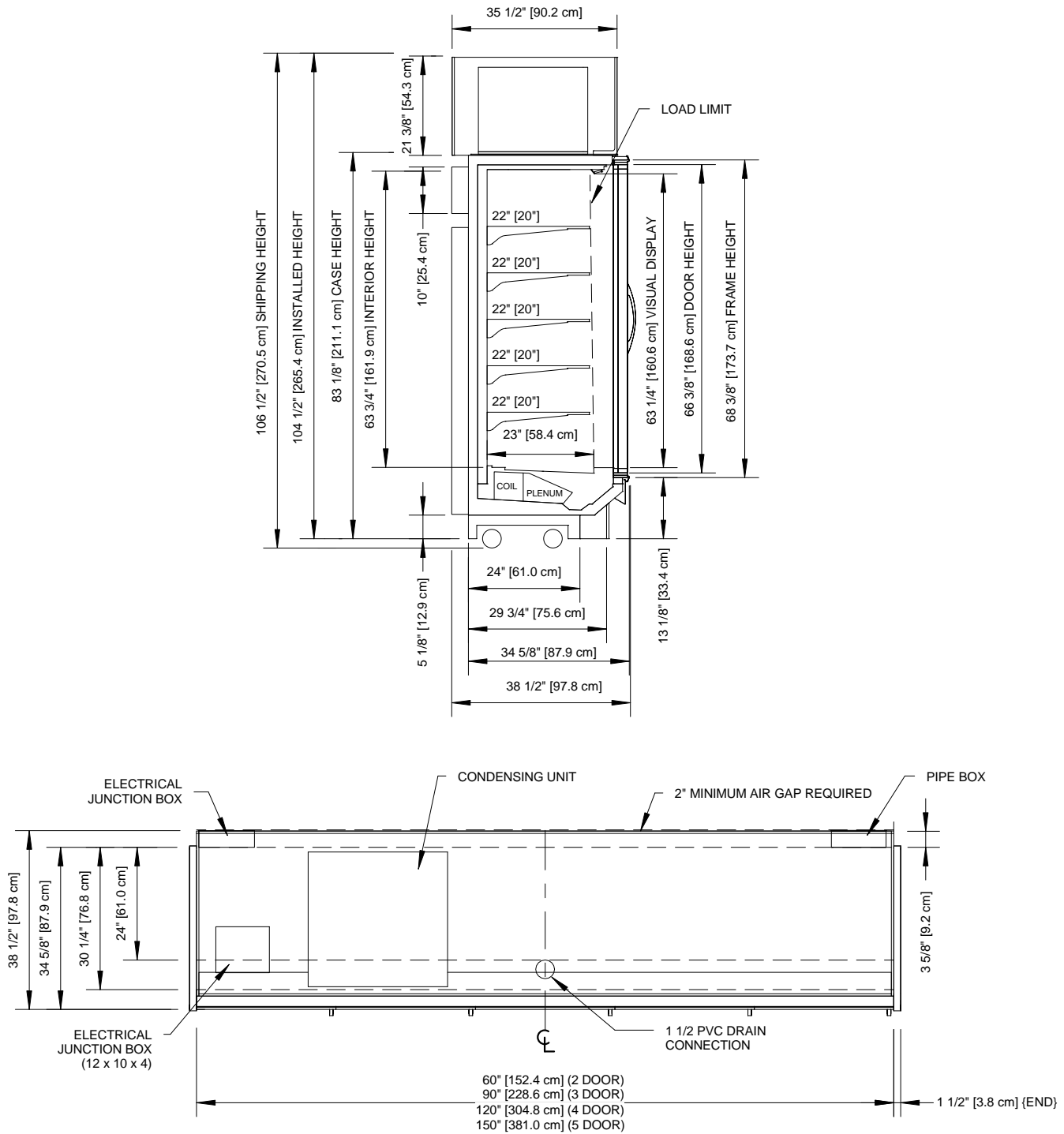
- Low energy doors (no heat on the glass) do not require anti-condensate or lighting controls. Frame A/S heat is cycled off during defrost cycles.
- Heated doors (heat on the glass) require anti-condensate and lighting controls. Frame A/S heat is cycled off during defrost cycles.



ALL MEASUREMENTS ARE TAKEN PER ASHRAE-72-2005 SPECIFICATIONS. HILLPHOENIX REFRIGERATED DISPLAY CASES FOR SALE IN THE UNITED STATES MEET OR EXCEED DEPARTMENT OF ENERGY 2017 REQUIREMENTS.

JNRZHA

Rev Date:	Rev #	Revision Description:
4-13-18	2	NEW STANDARDS
12-1-17	1	DOE 2017



NOTES

* : STUB-UP AREA.

** : RECOMMENDED STUB-UP CENTERLINE FOR ELECTRICAL AND HUB DRAINS.

- Ends add approximately 1" to case height, 1/2" to the back & 1" to the front.



COMPONENT

JNRZHA

ALL MEASUREMENTS ARE TAKEN PER ASHRAE-72-2005 SPECIFICATIONS. HILLPHOENIX REFRIGERATED DISPLAY CASES FOR SALE IN THE UNITED STATES MEET OR EXCEED DEPARTMENT OF ENERGY 2017 REQUIREMENTS.

Rev Date:	Rev #	Revision Description:
4-13-18	2	NEW STANDARDS
2/2/2017	1	DOE 2017

Hillphoenix

A DOVER COMPANY