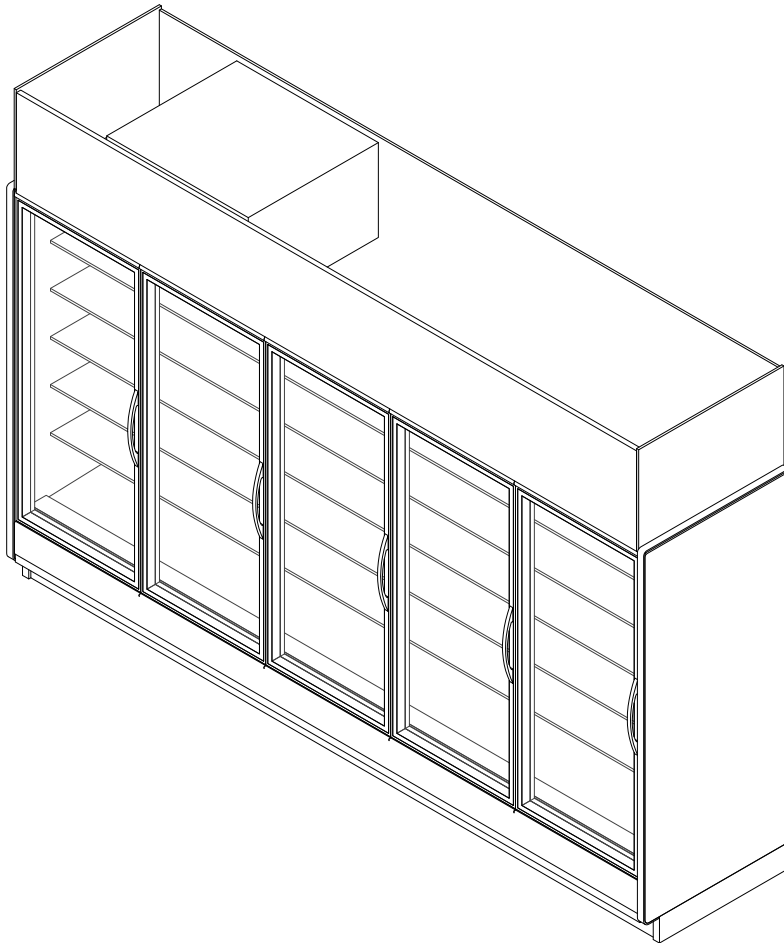


GENERAL NOTES

- Light controls - occupancy sensors are required.
 - Option 1: OEM Provided: Lighting controls (on/off) are standard unless otherwise specified.
 - Option 2: End User Provided: Light controls should be based on occupancy sensors.



SHIPPING WEIGHT	
Case	Weight
JNRZHSA	1000-2000 LBs



JNRZHSA

ALL MEASUREMENTS ARE TAKEN PER ASHRAE-72-2005 SPECIFICATIONS. HILLPHOENIX REFRIGERATED DISPLAY CASES FOR SALE IN THE UNITED STATES MEET OR EXCEED DEPARTMENT OF ENERGY 2017 REQUIREMENTS.

Rev Date:	Rev #	Revision Description:
4-16-18	2	NEW STANDARDS
12-1-17	1	DOE 2017

SYSTEM REQUIREMENTS				
Case Length	Volts	Phase	Frequency (Hz)	Provided Overcurrent Protection
2 Door	208	1	60	30
3 Door	208	1	60	30
4 Door	208	1	60	30
5 Door	208	1	60	30

GUIDELINES AND CONTROL DATA				
Case Length	24hr Energy Usage* (kWh)	Superheat Set Point @ Bulb (°F)	Discharge Air (°F)	Discharge Air Velocity (FPM)
2 Door	19.72	3 - 5	-8	300
3 Door	23.45	3 - 5	-8	300
4 Door	30.81	3 - 5	-8	300
5 Door	38.73	3 - 5	-8	300

*- 24 Hour Energy values includes evaporate fans, standard LEDs, anti-condensate heat & condensing unit

CONDENSING UNIT DATA								
Case Length	Volts	Phase	Frequency (Hz)	Horsepower	Running Load Amps (RLA)	Locked Rotor Amps (LRA)	Refrigerant	Lbs. of Refrigerant
2 Door	208	1	60	3/4	9	43	R404A	2.8
3 Door	208	1	60	1	9.3	46	R404A	3.4
4 Door	208	1	60	1 1/4	12.6	55	R404A	3.7
5 Door	208	1	60	2	12	56	R404A	6.2

DEFROST CONTROLS		
Defrosts Per Day	Electric Defrost	
	Fail-Safe (Min)	Termination Temp (°F)
1	45	48

DEFROST SCHEDULE	
Defrosts Per Day	Time
1	12 Midnight
2	12 a.m. - 12 p.m.
3	6 a.m. - 2 p.m. - 10 p.m.
4	12 a.m. - 6 a.m. - 12 p.m. - 6 p.m.
6	12 a.m. - 4 a.m. - 8 a.m. - 12 p.m. - 4 p.m. - 8 p.m.

NOTES

- "----" indicates that this feature is not an option on this case model.
- Anti-condensate heat values represent a door with no heat.
- Listed discharge air velocity represents the average velocity at the peak of defrost.
- Temperature and defrost settings listed above are recommended start-up settings. Final operational settings may need to be adjusted for the store conditions in which the case operates.
- The recommended evaporator temperatures may need to be adjusted based on system setup, store conditions, etc. The minimum recommended evaporator temperature is 4°F below the listed evaporator temperature.
- Light wattages above reflect 100% run time. To acquire DOE representation, reduce the light wattages by 42% at 75°F/55%RH.
- Data listed is for Optimax Radiant and low power Optimax Pro (high power available). For other lighting options please contact your sales representative.

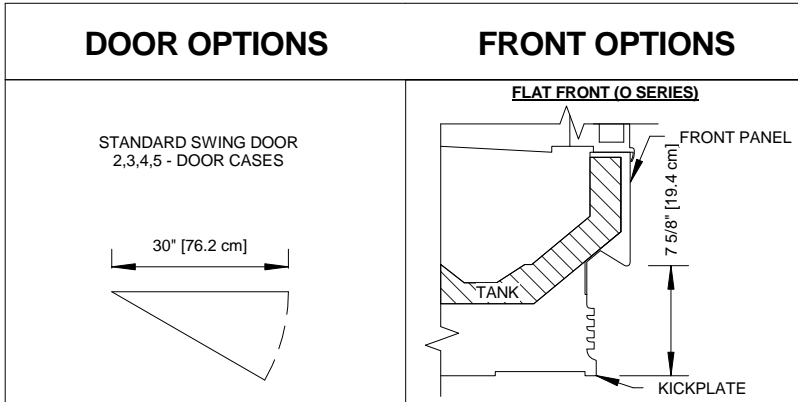


JNRZHSA

ALL MEASUREMENTS ARE TAKEN PER ASHRAE-72-2005 SPECIFICATIONS. HILLPHOENIX REFRIGERATED DISPLAY CASES FOR SALE IN THE UNITED STATES MEET OR EXCEED DEPARTMENT OF ENERGY 2017 REQUIREMENTS.

Rev Date:	Rev #	Revision Description:
4-16-18	2	NEW STANDARDS
12-1-17	1	DOE 2017

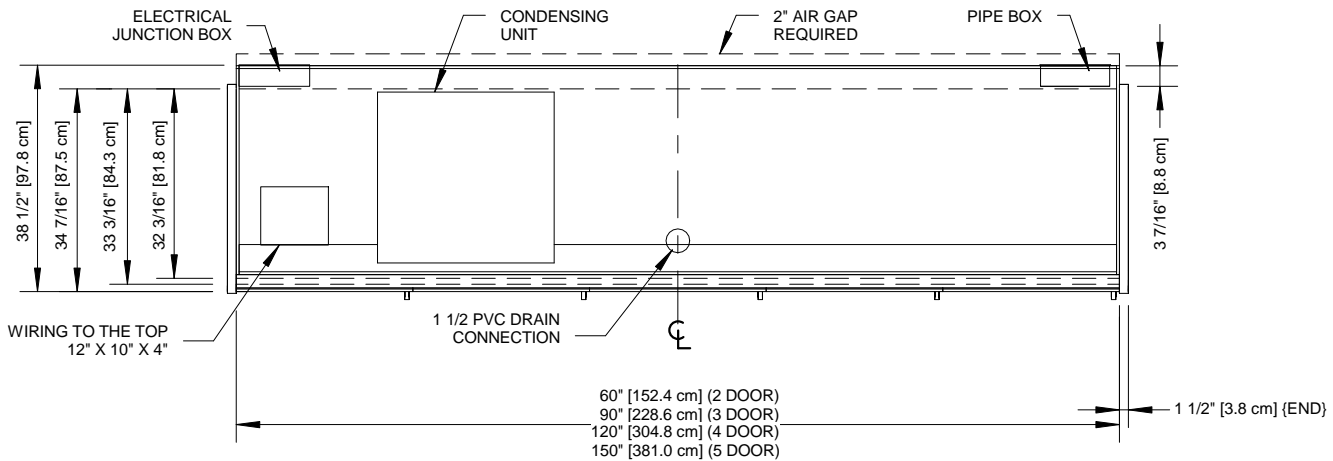
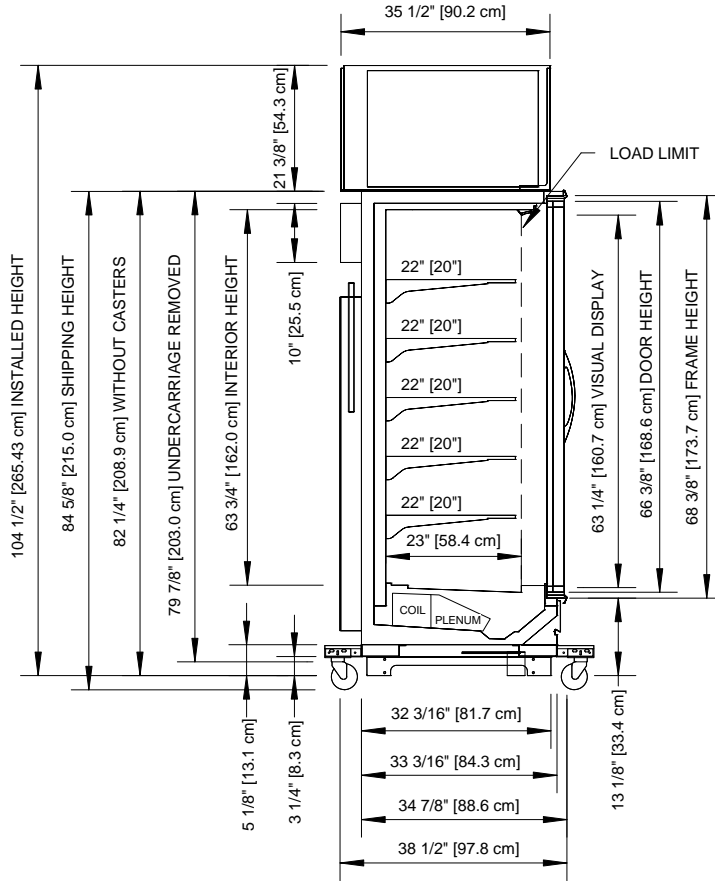




ALL MEASUREMENTS ARE TAKEN PER ASHRAE-72-2005 SPECIFICATIONS. HILLPHOENIX REFRIGERATED DISPLAY CASES FOR SALE IN THE UNITED STATES MEET OR EXCEED DEPARTMENT OF ENERGY 2017 REQUIREMENTS.

JNRZHSA

Rev Date:	Rev #	Revision Description:
4-16-18	2	NEW STANDARDS
12-1-17	1	DOE 2017



NOTES

- * : STUB-UP AREA
- ** : RECOMMENDED STUB-UP CENTERLINE FOR ELECTRICAL AND HUB DRAINS

- Specialized Base Frame.
- Case fits through 80" doorway with shipping undercarriage removed.
- 2" lifting brackets (installed) & 3.25" ship loose risers combine for 5" baseframe once installed.
- Drain traps ship loose.
- Ends add approximately 1" to case height, 1/2" to the back & 1" to the front.



JNRZHS A

ALL MEASUREMENTS ARE TAKEN PER ASHRAE-72-2005 SPECIFICATIONS. HILLPHOENIX REFRIGERATED DISPLAY CASES FOR SALE IN THE UNITED STATES MEET OR EXCEED DEPARTMENT OF ENERGY 2017 REQUIREMENTS.

Rev Date:	Rev #	Revision Description:
4-16-18	2	NEW STANDARDS
12-1-17	1	DOE 2017