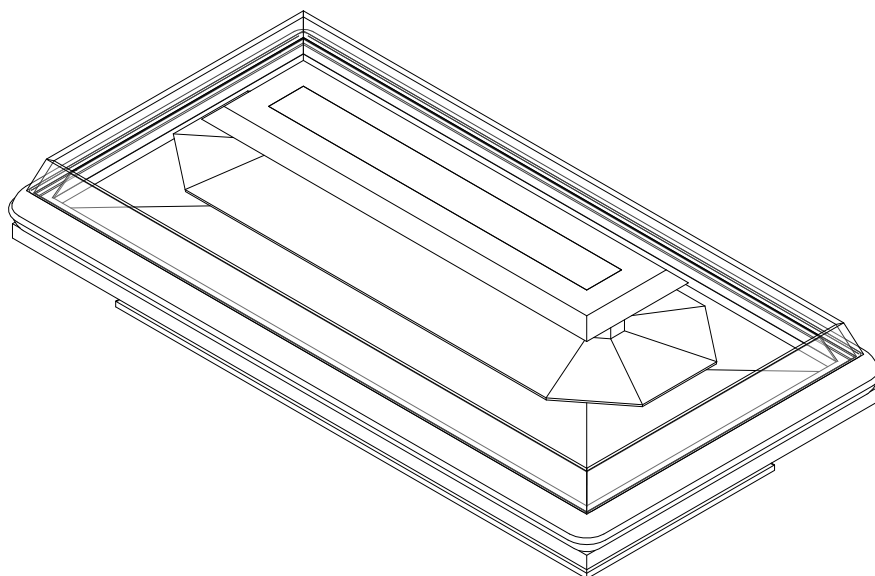


O2IM

Wide Multi-Deck Island Merchandiser 8' & 12' (Deli / Meat) Double Wrap Around Ends

GENERAL NOTES

- "---" indicates that the feature is not an option on this case model and/or that the data is not yet available.
- LED lights only.



SHIPPING WEIGHT	
Case	Weight
O2IM	---



ALL MEASUREMENTS ARE TAKEN PER ASHRAE-72-2005 SPECIFICATIONS. HILLPHOENIX REFRIGERATED DISPLAY CASES FOR SALE IN THE UNITED STATES MEET OR EXCEED DEPARTMENT OF ENERGY 2017 REQUIREMENTS.

O2IM

Rev Date:	Rev #	Revision Description:
7-9-18	2	NEW STANDARDS
12-1-17	1	DOE 2017

Hillphoenix
A DOWEY COMPANY

ELECTRICAL DATA									
Case Length	Fans Per Case	High-Efficiency Fans		Anti-Condensate Heaters		Defrost Heaters			
		120 Volts		120 Volts		208 Volts		240 Volts	
		Amps	Watts	Amps	Watts	Amps	Watts	Amps	Watts
8'	6	0.46	27.6	0.67	80.0	7.70	1600	8.88	2130
12'	8	0.61	36.8	1.06	126.9	11.54	2400	13.33	3200

LIGHTING DATA							
Case Length	Shelf Depth	Lights Per Row	Light Length	Clearvoyant v4 Lighting (Per Light Row)			
				Standard Power		High Power	
				Cornice or Shelf		Cornice Only	
				120 Volts		120 Volts	
				Amps	Watts	Amps	Watts
8'	Top Sill	4	2(2ft), 2(4ft)	0.15	17.9	0.38	45.4
8'	8"	4	2(0.5ft), 2(3ft)	0.10	11.5	---	---
8'	10",12",14",16"	4	2(1ft), 2(3ft)	0.11	13.2	---	---
12'	Top Sill	6	2(2ft), 2(4ft)	0.25	29.6	0.63	75.3
12'	8"	6	2(0.5ft), 4(3ft)	0.17	20.9	---	---
12'	10",12",14",16"	6	2(1ft), 4(3ft)	0.19	22.6	---	---

GUIDELINES AND CONTROL SETTINGS						
Application	BTUH/ft		Superheat Set Point @ Bulb (°F)	Evaporator (°F)	Discharge Air (°F)	Discharge Air Velocity (FPM)
	Conventional	Parallel				
Meat	1382	1248	6 - 8	17	26	270
Deli	1287	1162	6 - 8	22	30	270

DEFROST CONTROLS							
Defrosts Per Day	Run-Off Time (Min)	Electric Defrost		Timed-Off Defrost		Hot Gas Defrost	
		Fail-Safe (Min)	Termination Temp (°F)	Fail-Safe (Min)	Termination Temp (°F)	Fail-Safe (Min)	Termination Temp (°F)
4	6 - 8	30	47	45	45	26	45

NOTES

- "----" indicates that the feature is not an option on this case model and/or that the data is not yet available.
- Listed LED lighting values represent a full row of shelves (including wrap-around ends).
- Listed BTUH/ft data represents unlighted shelves. For LED lighting, add 9 BTUH/ft per row of lighted shelving.
- Load data represents the sum of both coils.
- Listed evaporator temperature represents unlighted shelves. For lighted shelves and/or aftermarket merchandising accessories, reduce the listed evaporator temperature by 2°F.
- BTUH load increases by 132 BTUH/ft when aftermarket merchandising accessories are utilized.
- Listed discharge air velocity represents the average velocity at the peak of defrost.
- Timed-Off defrost is only recommended at evaporator temperatures greater than 22°F.
- Temperature and defrost settings listed above are recommended start-up settings. Final operational settings may need to be adjusted for the store conditions in which the case operates.
- The recommended evaporator temperatures may need to be adjusted based on system setup, store conditions, etc. The minimum recommended evaporator temperature is 4°F below the listed evaporator temperature.



O2IM

ALL MEASUREMENTS ARE TAKEN PER ASHRAE-72-2005 SPECIFICATIONS. HILLPHOENIX REFRIGERATED DISPLAY CASES FOR SALE IN THE UNITED STATES MEET OR EXCEED DEPARTMENT OF ENERGY 2017 REQUIREMENTS.

Rev Date:	Rev #	Revision Description:
7-9-18	2	NEW STANDARDS
12-1-17	1	DOE 2017



O2IM

Wide Multi-Deck Island Merchandiser 8' & 12' (Deli / Meat) Double Wrap Around Ends

SECOND NATURE DATA

Case Model	No. Of Coils	Application	Front Sill Type	BTUH/ft (DR)		GPM/ft (DR)	Supply Fluid Temp (°F)	Discharge Air Temp (°F)
				Conventional	Parallel			
O2IM	2	Deli	6" Thermopane	1287	1162	0.71	20	30
O2IM	2	Meat	6" Thermopane	1382	1248	0.76	20	26

SECOND NATURE DATA

Case Model	No. of Coils	Application	Front Sill Type	No. of Defrosts	Timed Off Defrost		Warm Fluid Defrost	
					Fail-Safe (Min)	Termination Temp (°F)	Fail-Safe (Min)	Termination Temp (°F)
O2IM	2	Deli	6" Thermopane	4	60	47	26	49
O2IM	2	Meat	6" Thermopane	4	60	47	26	49

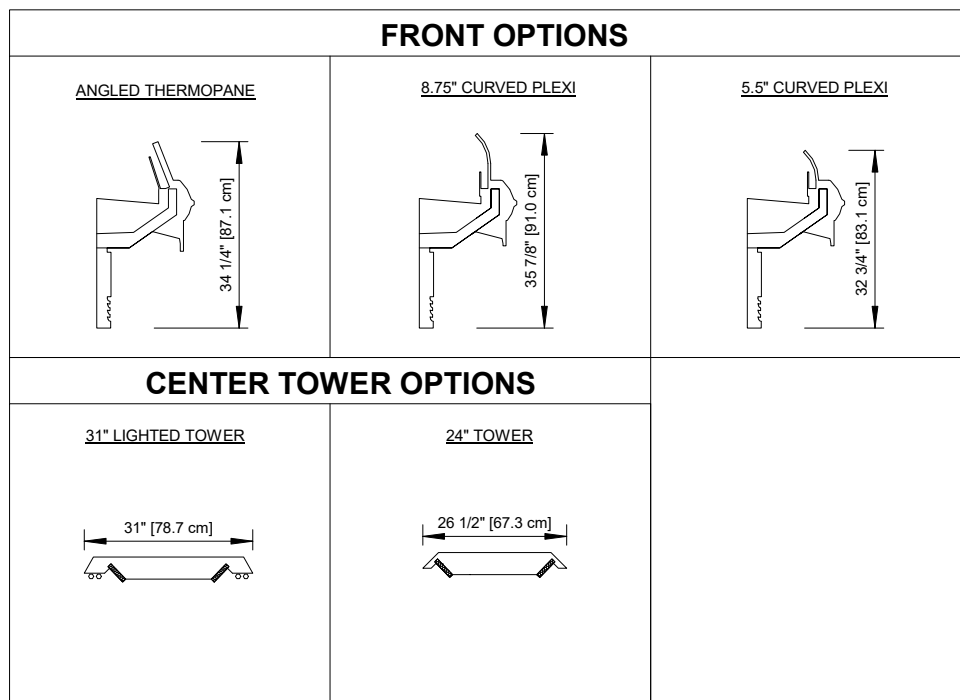


ALL MEASUREMENTS ARE TAKEN PER ASHRAE-72-2005 SPECIFICATIONS. HILLPHOENIX REFRIGERATED DISPLAY CASES FOR SALE IN THE UNITED STATES MEET OR EXCEED DEPARTMENT OF ENERGY 2017 REQUIREMENTS.

O2IM

Rev Date:	Rev #	Revision Description:
7-9-18	2	NEW STANDARDS
12-1-17	1	DOE 2017

Hillphoenix
A BOWEN COMPANY



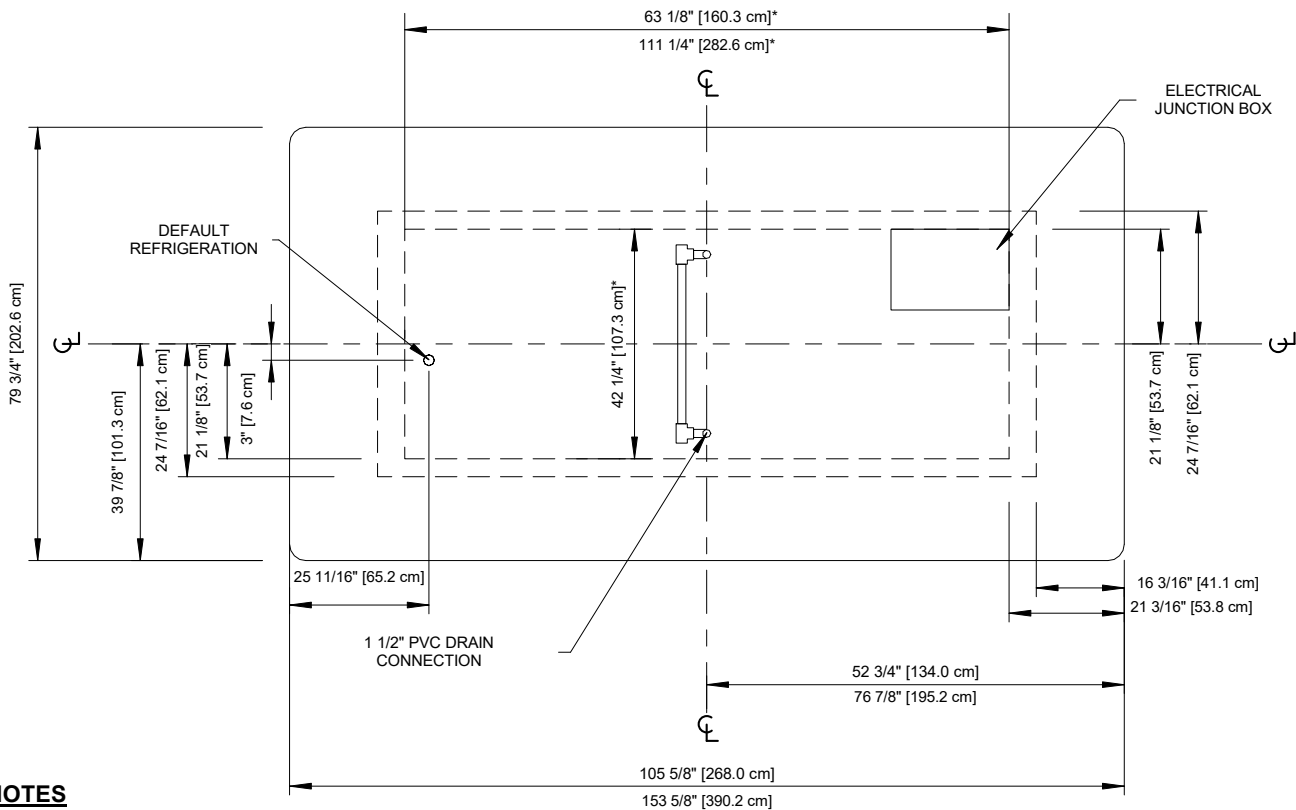
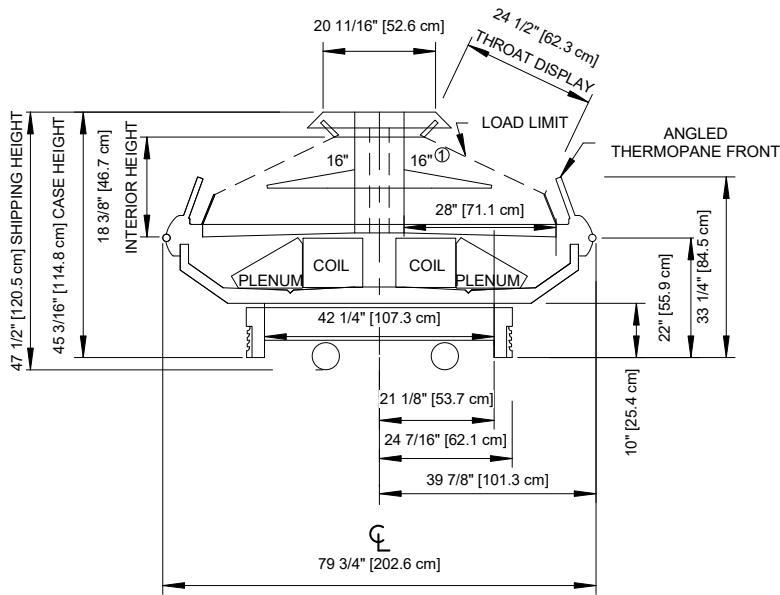
ALL MEASUREMENTS ARE TAKEN PER ASHRAE-72-2005 SPECIFICATIONS. HILLPHOENIX REFRIGERATED DISPLAY CASES FOR SALE IN THE UNITED STATES MEET OR EXCEED DEPARTMENT OF ENERGY 2017 REQUIREMENTS.

O2IM

Rev Date:	Rev #	Revision Description:
7-9-18	2	NEW STANDARDS
12-1-17	1	DOE 2017

O2IM

Wide Multi-Deck Island Merchandiser 8' & 12' (Deli / Meat) Double Wrap Around Ends



NOTES

- * :STUB-UP AREA:
- ⊙ :AVAILABLE SHELF SIZES: 10", 12", 14" & 16"

- Front and center sill heights vary with base frame height.



O2IM

ALL MEASUREMENTS ARE TAKEN PER ASHRAE-72-2005 SPECIFICATIONS. HILLPHOENIX REFRIGERATED DISPLAY CASES FOR SALE IN THE UNITED STATES MEET OR EXCEED DEPARTMENT OF ENERGY 2017 REQUIREMENTS.

Rev Date:	Rev #	Revision Description:
7-9-18	2	NEW STANDARDS
12-1-17	1	DOE 2017

