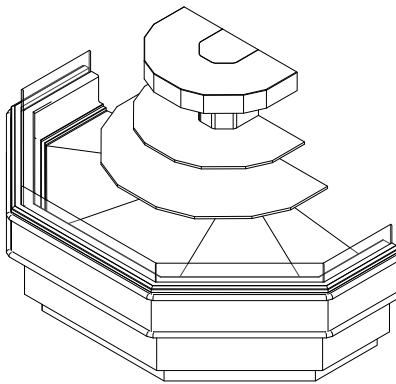


# O3EIF

Multi-Deck Island End Cap Merchandiser  
(Dairy / Deli / Meat / Produce)

## GENERAL NOTES

- "---" indicates that the feature is not an option for this case model and/or that the data is not yet available.
- LED lights only.



SHIPPING WEIGHT	
Case	Weight
O3EIF	---



ALL MEASUREMENTS ARE TAKEN PER ASHRAE-72-2005 SPECIFICATIONS. HILLPHOENIX REFRIGERATED DISPLAY CASES FOR SALE IN THE UNITED STATES MEET OR EXCEED DEPARTMENT OF ENERGY 2017 REQUIREMENTS.

## O3EIF

Rev Date:	Rev #	Revision Description:
10-15-18	3	DATA UPDATE
7-9-18	2	NEW STANDARDS

**Hillphoenix**  
A DOWEY COMPANY

ELECTRICAL DATA		
Fans Per Case	High Efficiency Fans	
	120 Volt	
	Amps	Watts
2	0.30	21.0

LIGHTING DATA						
Shelf Depth	Lights Per Row	Lights Length	Clearvoyant v4 LED Lighting (Per Light Row)			
			Standard Power (Cornice or Shelf)		High Power (Cornice Only)	
			120 Volts		120 Volts	
			Amps	Watts	Amps	Watts
Top Sill	3	1'	0.05	5.6	0.09	11.3
Shelf	3	1'	0.05	5.6	0.09	11.3

GUIDELINES AND CONTROL SETTINGS					
BTUH/ft		Superheat Set Point @ Bulb (°F)	Evaporator (°F)	Discharge Air (°F)	Discharge Air Velocity (FPM)
Conventional	Parallel				
2836	2600	6 - 8	22	30	235

DEFROST CONTROLS		
Defrosts Per Day	Fail-Safe (Min)	Termination Temp (°F)
4	40	47

## NOTES

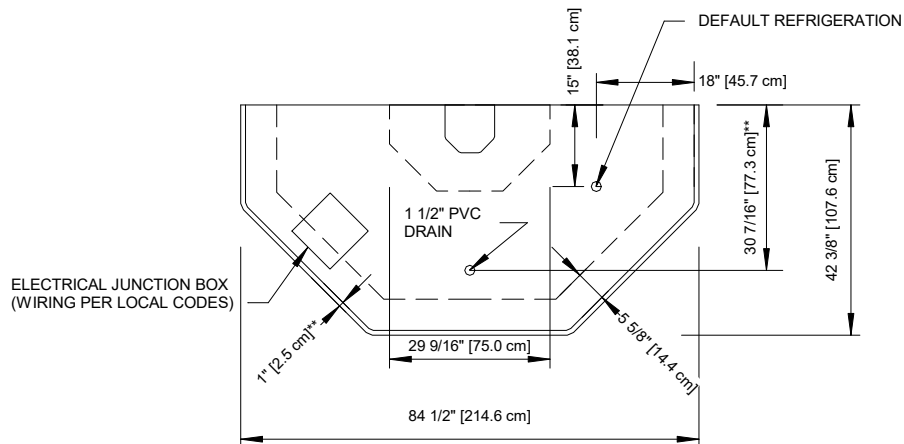
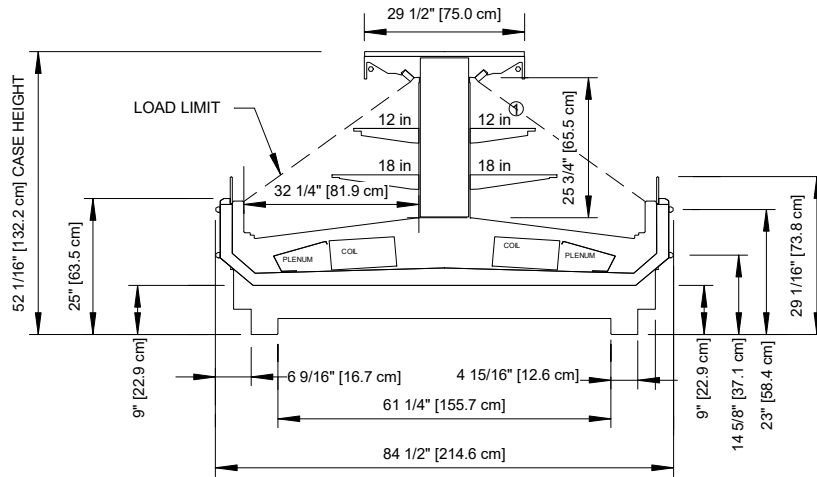
- "----" indicates that the feature is not an option for this case model and/or that the data is not yet available.
- Listed LED lighting values represent a full row of shelves (including wrap-around ends).
- Listed BTUH/ft data represents unlighted shelves. For LED lighting, add 9 BTUH/ft per row of lighted shelving.
- Load data represents the sum of both coils.
- Listed evaporator temperature represents unlighted shelves. For lighted shelves and/or aftermarket merchandising accessories, reduce the listed evaporator temperature by 2°F.
- BTUH load increases by 132 BTUH/ft when aftermarket merchandising accessories are utilized.
- Listed discharge air velocity represents the average velocity immediately after defrost.
- Timed-Off defrost is only recommended at evaporator temperatures greater than 22°F.
- Temperature and defrost settings listed above are recommended start-up settings. Final operational settings may need to be adjusted for the store conditions in which the case operates.
- The recommended evaporator temperatures may need to be adjusted based on system setup, store conditions, etc. The minimum recommended evaporator temperature is 4°F below the listed evaporator temperature.



ALL MEASUREMENTS ARE TAKEN PER ASHRAE-72-2005 SPECIFICATIONS. HILLPHOENIX REFRIGERATED DISPLAY CASES FOR SALE IN THE UNITED STATES MEET OR EXCEED DEPARTMENT OF ENERGY 2017 REQUIREMENTS.

## O3EIF

Rev Date:	Rev #	Revision Description:
10-15-18	3	DATA UPDATE
7-9-18	2	NEW STANDARDS



### NOTES

- \* :STUB-UP AREA:
- \*\* :RECOMMENDED STUB-UP CENTERLINE FOR ELECTRICAL AND HUB DRAINS

- Front and center sill heights vary with base frame height.
- Shelf sizes based on O3UM shelf selection



### O3EIF

ALL MEASUREMENTS ARE TAKEN PER ASHRAE-72-2005 SPECIFICATIONS. HILLPHOENIX REFRIGERATED DISPLAY CASES FOR SALE IN THE UNITED STATES MEET OR EXCEED DEPARTMENT OF ENERGY 2017 REQUIREMENTS.

Rev Date:	Rev #	Revision Description:
10-15-18	3	DATA UPDATE
7-9-18	2	NEW STANDARDS