

Narrow Back-to-Back Reach-In

Low temperature frozen food and ice cream merchandiser.

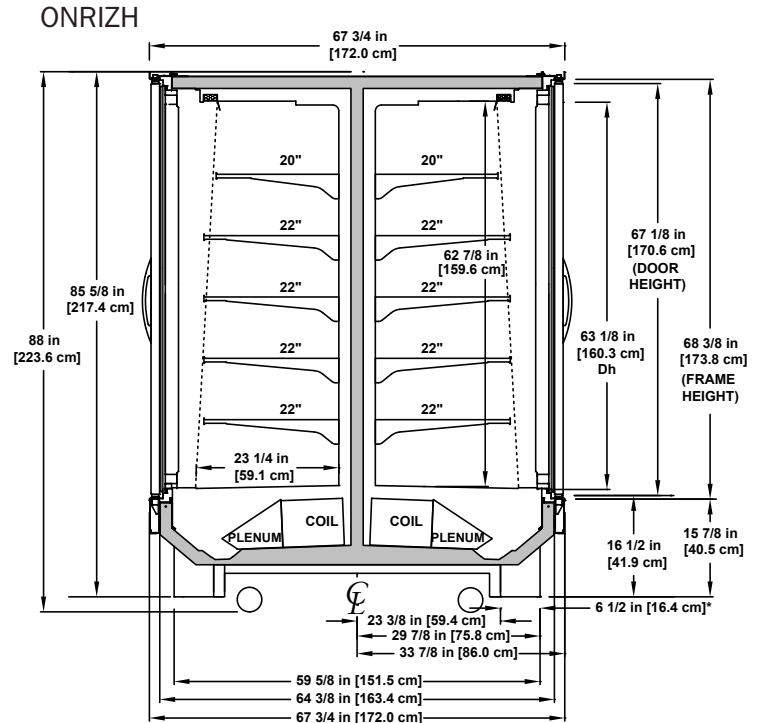
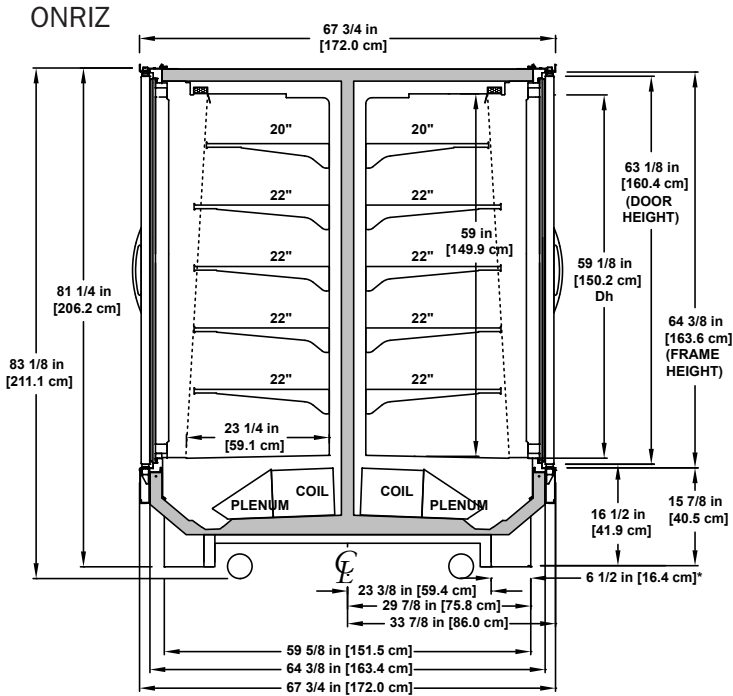
ONRIZ/ONRIZH

family pack CLARITY™ reach-in merchandisers

customized with the ideal frame and door options deliver superior performance for every need. Multiple sizes and configurations help store merchandisers provide unique refrigeration options and enhanced product displays to create a superior shopper experience.

CLARITY
Reach-In Merchandisers from Hillphoenix





Please consult Hillphoenix Engineering Reference Manual for dimensions, plan views and technical specifications. Specifications subject to change without notice. Designed for optimal performance in store environments where temperature and humidity do not exceed 75°F and 55% R.H. Certified to UL 471 and ANSI/NSF Standard 7.

Available Options

- 2, 3, 4, 5 or 6-door models – 6-door model is unique to Hillphoenix.
- Glass door frame finishes available in polished aluminum, silver satin or black.
- Custom colors available.
- 3 different levels of door energy.
- Multiple front styles available.
- Variety of door rail profiles, finishes and handles.
- Polymer or metal end trim.
- Innovative LED lighting choices increases visual impact of product while reducing energy consumption and released heat in case.
- Motion sensors for additional energy savings.
- Anti-condensate controls.
- Electric or Hot Gas defrost.

Features and Benefits

- Proprietary NRGcoil™ ensures uniform case performance and lower average product temperatures with optimum energy efficiency.
- ECM energy efficient fans motors are standard.
- LED lighting for energy efficiency and a stunning merchandise display.
- Excellent remodel replacement option for wide island coffin cases.
- 11% energy savings compared to single units set back to back.
- Fewer electrical and plumbing connections for installation savings.
- Smaller footprint when compared to single units saving you valuable floorspace.
- Removable castors for easy merchandiser unloading, movement, and installation.



Hillphoenix
A DOWNEY COMPANY

Conyers, GA USA
844.591.5937
hillphoenix.com

©2015 Hillphoenix, Inc.

DC-R08_ONRIZV0216