

**Hillphoenix**

a **DOVER** company

**ORBR**

# Rear-Load Glass Door Reach-In

Medium temperature merchandiser for dairy, deli, bakery, meat and beverage.



CLARITY® reach-in merchandisers

customized with the ideal frame  
and door options deliver superior  
performance for every need.

Multiple sizes and configurations

help store merchandisers provide

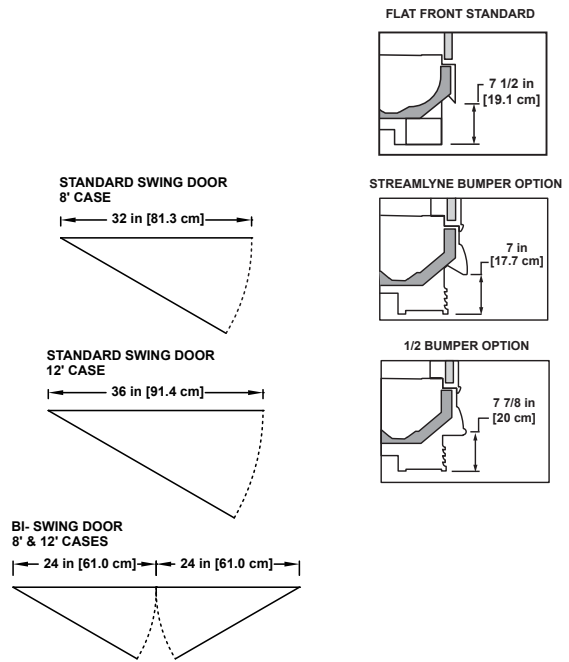
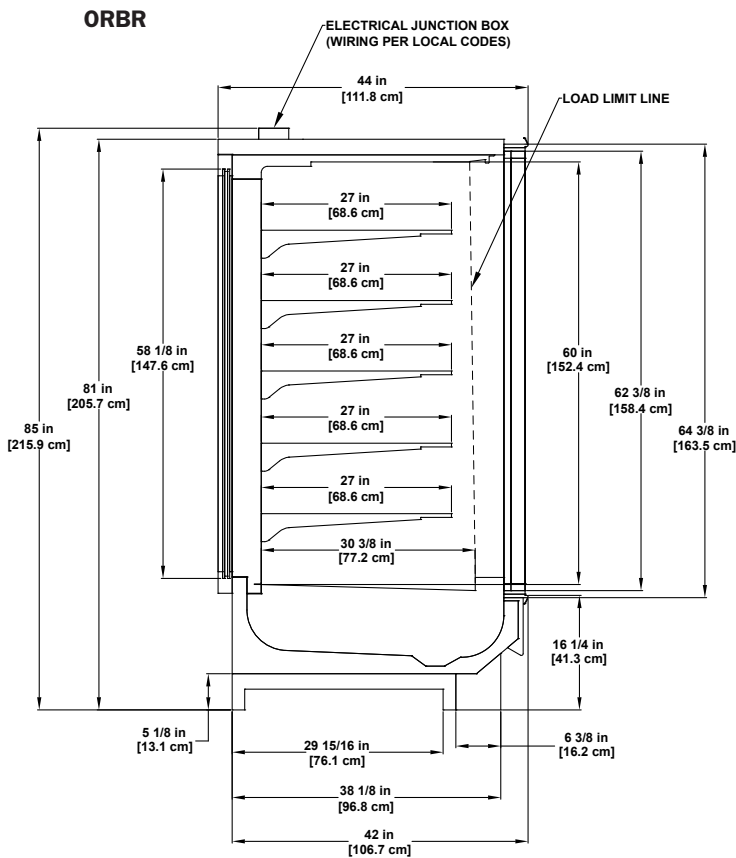
unique refrigeration options  
and enhanced product displays

to create a superior shopper  
experience.

**CLARITY**®

Reach-In Merchandisers from Hillphoenix

Photo may depict options not included on standard models.



**Door and Front Options**  
 Consult Hillphoenix Engineering Reference Manual for more available options.  
 Casters add 2 1/4" to the shipping height.

Please consult Hillphoenix Engineering Reference Manual for dimensions, plan views and technical specifications. Specifications subject to change without notice. Designed for optional performance in store environments where temperature and humidity do not exceed 75 degrees and 55% R.H. Certified to UL 471 and ANSI/NSF Standard 7.

### Base Model Features

- Integrate with walk-in cooler for efficient rear load applications.
- Aligns with standard model ORB cases for consistent in-store design.
- 4' shelves keep planograms designed for open cases relevant.
- Bottom-located refrigeration components facilitate serviceability and allow for full top shelf merchandising.
- Proprietary Synerg-E® technology with NRGcoil™ and energy efficient fan motors ensure uniform case performance and lower average product temperatures with optimum energy efficiency.
- Innovative Anthony® Optimax LED lighting choices increase visual impact of product while reducing energy consumption.
- Over 70% energy savings compared to comparable rear-load open dairy case.
- Removable casters for easy merchandiser unloading, movement, and installation.

### Available Options

- Doors in 32" (8'), 36" (12'), or 24" bi-swing in 8', & 12'.
- Variety of door rail profiles, finishes and handles.
- Glass door frame finishes available in polished aluminum, silver satin or black.
- Anthony 101 door frame with Infinity 90 and ELM-D doors.
- Anthony Vista® door frame with Vista C or Infinity 60 bi-swing doors or Vista Elite® vacuum insulated tempered all-glass bi-swing doors.
- Zero energy doors.
- Polymer or metal end trim.



Dover Food Retail  
 Conyers, GA USA  
 844.591.5937  
 hillphoenix.com

©2018 Hillphoenix, Inc.

