

Hillphoenix

a **DOVER** company

PC-G-R

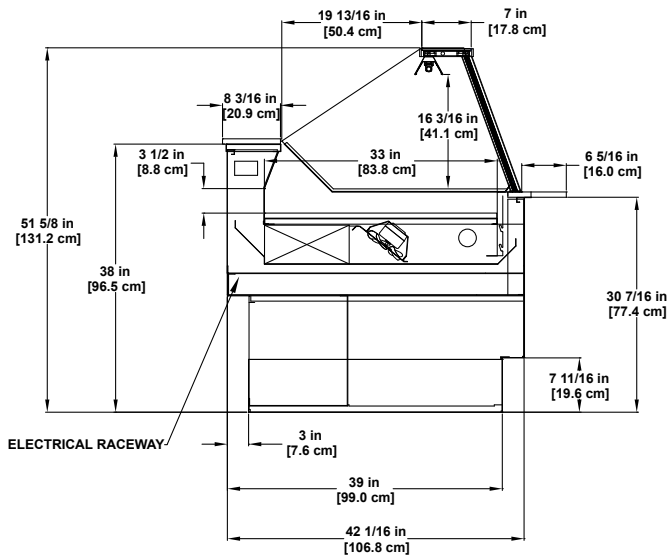
Service Single-Deck

Refrigerated gourmet bakery merchandiser.



Photo may depict options not included on standard models.

Model PC-G-R
Service Single-Deck



Please consult Hillphoenix Engineering Reference Manual for dimensions, plan views and technical specifications. Specifications subject to change without notice. Designed for optional performance in store environments where temperature and humidity do not exceed 75 degrees and 55% R.H. Certified to UL 471 and ANSI/NSF Standard 7.

Base Model Features

- Sled runner base construction.
- 38”H rear ledge / 51-5/8” to top of front glass.
- Standard 6-5/16” toekick.
- Painted metal exterior.
- Painted metal straight front ledge to match exterior.
- Stainless steel exterior trim.
- Stainless steel front, side and rear base trim.
- Rear ledge and outside back painted metal to match exterior.
- Black painted metal interior.
- Interior trim to match interior.
- Flat, painted metal, single deck display.
- Single-pane, regular-glare fixed front glass with glass top shelf in grooved sneezeguard posts.
- Glass side returns.
- Clearvoyant LED top light.
- Rear electrical raceway.
- Energy efficient fans.
- Remote DX refrigeration package.

Available Options

- Exterior standard grade laminate.
- Painted base and end panel trim.
- Stainless steel outside back finish.
- Non-glare glass.
- Cart bumper.
- Non-glare glass.
- Solid surface, polytop or stainless steel scale stand.
- Stone, solid surface, polytop or stainless steel bottom shelf and back ledge.
- Remote glycol or CO₂ refrigeration package.



Dover Food Retail
 Conyers, GA USA
 844.591.5937
 hillphoenix.com

©2018 Hillphoenix, Inc.



DOVER company