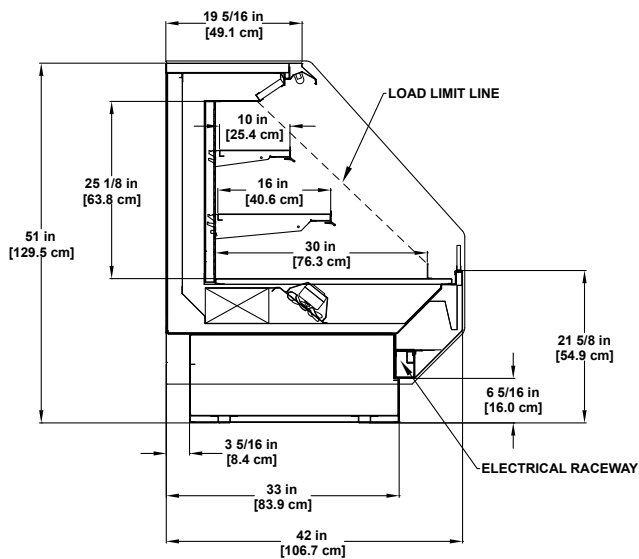


Self-Service Multi-Deck

Refrigerated merchandiser for bakery, beverage, cheese, deli and produce.



Model PF-R
Self-Service Multi-Deck



Please consult Hillphoenix Engineering Reference Manual for dimensions, plan views and technical specifications. Specifications subject to change without notice. Designed for optional performance in store environments where temperature and humidity do not exceed 75 degrees and 55% R.H. Certified to UL 471 and ANSI/NSF Standard 7.

Base Model Features

- Sled runner base construction.
- Standard 51”H with 6-5/16” base height.
- Standard 42” case depth.
- Standard 19-5/16” case top depth.
- 45 degree front dieboard.
- Painted metal exterior outside back rear toekick and top.
- Stainless steel exterior trim.
- Stainless steel front and side toekick.
- 5-1/2” x 1/2” polished dieboard plex.
- Black painted metal interior.
- Interior trim to match interior.
- (1) row each 10” and 16” adjustable flat painted metal shelving w/ PTM.
- Clearvoyant® LED top light.
- Rear electrical raceway.
- Energy efficient fans.
- Remote DX refrigeration package.

Available Options

- Available lengths: 4’, 6’, 8’, 10’, and 12’.
- Optional case heights available: 48”, 54”, 72”.
- Alternate toekick height include: 7-13/16”H with no change to the overall height.
- Bullet leg base with adjustable height toekick.
- Painted metal base trim.
- Cart bumper.
- Interior and exterior stainless steel finish.
- White or other painted metal interior finish.
- Solid surface, stainless steel or stone case top.
- (1) row each 10”, 14” and 18” adjustable flat painted metal shelving (54” tall only).
- (1) row each 10”, 12”, 14”, and 18” adjustable flat painted metal shelving (72” tall only).
- Undershelf lighting.
- Nose light (case grows 2” in depth).
- Front raceway.
- Dual top lighting requires 2” case top extension.
- Solid interior painted, solid interior mirror polish stainless steel, thermal glass divider or glass ends.
- Remote glycol or CO₂ refrigeration package.



Dover Food Retail
Conyers, GA USA
844.591.5937
hillphoenix.com

©2018 Hillphoenix, Inc.

