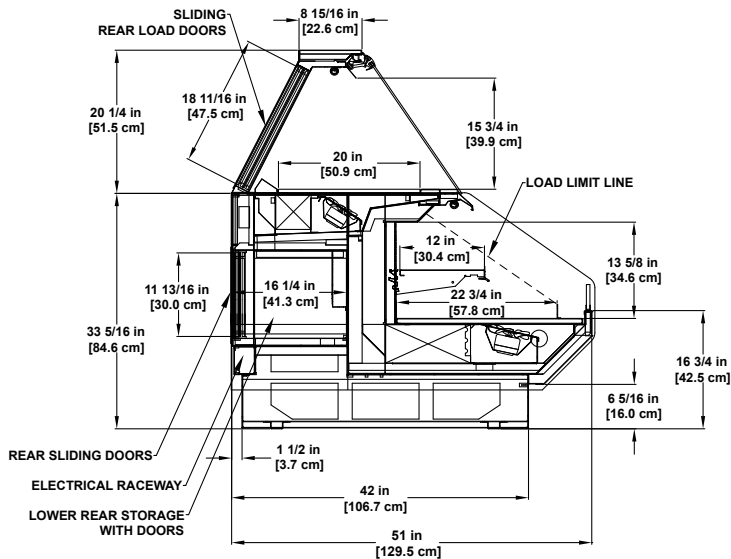


# Dome Multi-Deck

Combination service dome/self-service base merchandiser for refrigerated bakery, beverage, dairy and deli with lower rear storage.



## Model PTDR-R Dome Multi-Deck



Please consult Hillphoenix Engineering Reference Manual for dimensions, plan views and technical specifications. Specifications subject to change without notice. Designed for optional performance in store environments where temperature and humidity do not exceed 75 degrees and 55% R.H. Certified to UL 471 and ANSI/NSF Standard 7.

### Base Model Features

- Sled runner base construction.
- Standard 33-5/16" H Base (34") with 6-5/16" base height.
- Standard 51" case depth.
- Standard 20-1/4" case dome.
- 45 degree dieboard .
- Painted metal exterior.
- Stainless steel exterior and base trim.
- Stainless steel outside back and dome top.

### Refrigerated Dome

- Blower coil.
- Reflective rear load doors.
- Single-pane, regular-glare flat lift front glass.
- Black painted metal interior.
- Clearvoyant® LED top light.

### Refrigerated Base

- 3-1/2" dieboard plex.
- Black painted metal interior.
- Interior trim to match interior.
- (1) row each 12" adjustable angle painted metal shelving w/ PTM.
- Clearvoyant LED cornice light.
- Remote DX refrigeration package.

### Available Options

- Available lengths: 4', 6', 8', 10' and 12'.
- Available 38" base height (37-3/8") w/16" dome.
- Available 55" case depth with 16" adjustable angle shelf.
- Alternate toekick height include: 7-13/16"H with no change to the overall height.
- Bullet leg base with adjustable height toekick.
- Black painted metal base trim.
- Cart bumper.
- Interior and exterior stainless steel finish.
- White or other painted metal interior finish.
- 1 Row each 12" and 16" painted metal adjustable shelving with 38" base height.
- Undershelf lighting.
- 10" glass mezzanine shelf (key-rail) for refrigerated dome.
- Clear rear load dome doors.
- Non-glare flat lift front glass.
- Clearvoyant LED shelf lighting.
- Solid interior painted, solid interior mirror polish stainless steel, thermal glass divider or glass ends.
- Remote glycol or CO<sub>2</sub> Refrigeration Package.
- Solid or clear lower storage doors.
- Cube flip-up glass hardware with vertical glass on dome.



Dover Food Retail  
Conyers, GA USA  
844.591.5937  
hillphoenix.com

©2018 Hillphoenix, Inc.

**Hillphoenix**  
a DOVER company