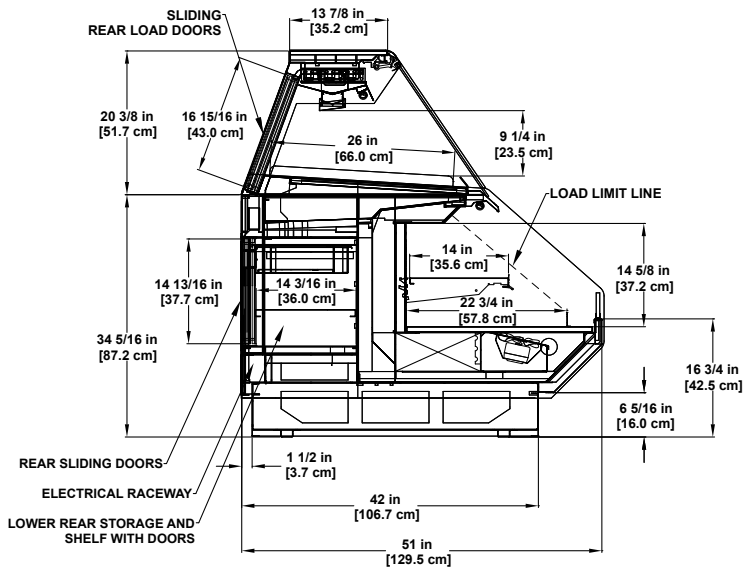


Dome Multi-Deck

Combination Coolgenix® service dome/self-service base merchandiser for refrigerated bakery, beverage, dairy and deli with lower rear storage.



Model PTD-RGC Dome Multi-Deck



Please consult Hillphoenix Engineering Reference Manual for dimensions, plan views and technical specifications. Specifications subject to change without notice. Designed for optional performance in store environments where temperature and humidity do not exceed 75 degrees and 55% R.H. Certified to UL 471 and ANSI/NSF Standard 7.

Available Options

- Available lengths: 4', 6', 8', 10' and 12'.
- Available 55" case depth with 16" adjustable angle shelf.
- Bullet leg base with adjustable height toekick.
- Cart bumper.
- Interior and exterior stainless steel finish (except for Coolgenix pans).
- White or other painted metal interior finish.
- Undershelf lighting.
- Non-glare flat lift front glass.
- Curved regular-glare and non-glare.
- Solid or dot matrix glass black or gray glass masking.
- Clearvoyant LED lighted shelf in base.
- 16"D refrigerated rear storage w/ sliding rear load (glass or solid) doors only available on 8' or larger.
- Open dry rear storage only available on 8' or larger.
- Sliding rear dry storage doors (solid or glass).
- Adjustable shelf in rear storage.
- Solid interior painted, solid interior mirror polish stainless steel, thermal glass divider or glass ends.
- Remote DX or CO₂ Refrigeration Package (semi-self/contained only).

Base Model Features

- Sled runner base construction.
- Standard 34 5/16" with 6-5/16" base height.
- Standard 51" case depth.
- Standard 20-1/4" case dome.
- 45 degree dieboard.
- Painted metal exterior.
- Stainless steel exterior and base trim.
- Stainless steel outside back and dome top.

Refrigerated Dome

- Single-pane, regular-glare flat lift front glass.
- Black painted metal interior.
- Black painted metal coolgenix bottom merchandising deck.
- Clearvoyant® LED top light.

Refrigerated Base

- 3-1/2" dieboard plex.
- Black painted metal interior.
- (1) row each 14" adjustable angle painted metal shelving w/PTM.
- Clearvoyant LED cornice light.
- Rear electrical raceway.
- Remote glycol refrigeration package.



Dover Food Retail
Conyers, GA USA
844.591.5937
hillphoenix.com

©2018 Hillphoenix, Inc.

Hillphoenix
a DOVER company