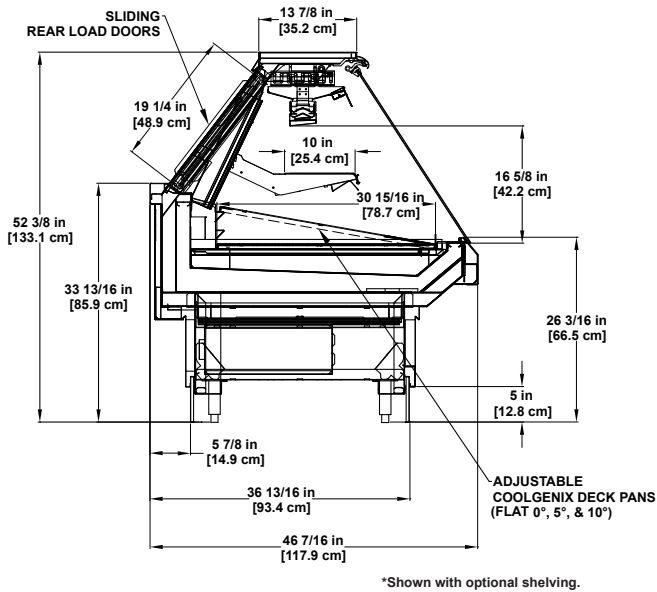


Service Multi-Deck

Coolgenix® refrigerated merchandiser for meat and seafood.



Model S2SGC
Service Multi-Deck



Please consult Hillphoenix Engineering Reference Manual for dimensions, plan views and technical specifications. Specifications subject to change without notice. Designed for optimal performance in store environments where temperature and humidity do not exceed 75 degrees and 55% R.H. Certified to UL 471 and ANSI/NSF Standard 7.

Base Model Features

- Exclusive Hillphoenix Coolgenix® technology.
- C-frame with bullet leg construction.
- Standard 52-3/8”H with 18”H base frame height.
- Standard 46-7/16”D.
- Exterior: Painted metal, including lower front panel above base.
- Stainless steel base trim, front and sides.
- Stainless steel exterior trim.
- Stainless steel outside back and rear base trim.
- Stainless steel case top.
- Flush stainless steel flat rear sill.
- Clear rear load doors with black frames.
- Single-pane, regular-glare flat lift front glass.
- Stainless steel interior and trim.
- Black Coolgenix deck pans with quick disconnects.
- Clearvoyant® LED canopy light.
- Rear electrical box mounted behind the lower rear panel.
- Solar digital thermometer.
- Remote glycol Coolgenix refrigeration package.

Available Options

- Available lengths: 4’, 6’, 8’ and 12’.
- Also available: 48” and 56” (48” remote only).
- Sled runner base.
- Vented toekick.
- Painted metal base trim.
- Poly master with nose bumper.
- Prestige bumper (silver anodized or painted) with cart bumper.
- Cart bumper (for flat front profile).
- Exterior stainless steel finish.
- Solid surface or stone case top.
- Integrated case top scale stand.
- Poly or stainless adjustable scale stand.
- (1) row 10” black painted coolgenix pan with stainless steel shelving and PTM.
- Clearvoyant LED undershelf lighting.
- White or silver deck pan colors.
- Longer hoses.
- Reflective rear load doors.
- Single-pane, regular-glare curved lift front glass.
- Single-pane, non-glare curved or flat lift front glass.
- Solid or dot matrix glass black or gray glass masking.
- Black glass gasket, wipe and glass handle.
- Rear flip-up or fixed work boards.
- ISO outlet/CON outlets.
- Second row of canopy lighting.
- Deck product stop available in plex and SS.
- Decorative plex ice trough for case front.
- Solid interior mirror polish stainless steel, thermal glass divider or glass ends.
- Semi self-contained required with DX or CO₂ refrigeration packages.



Dover Food Retail
Conyers, GA USA
844.591.5937
hillphoenix.com

©2018 Hillphoenix, Inc.

