

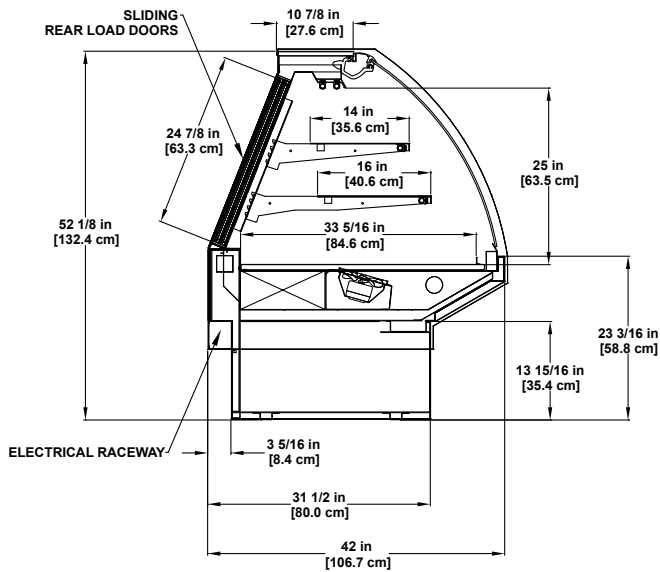
Service Multi-Deck

Refrigerated merchandiser for deli and seafood with curved or flat lift-glass.



Photo may depict options not included on standard models.

Model SMD-R
Service Multi-Deck



Please consult Hillphoenix Engineering Reference Manual for dimensions, plan views and technical specifications. Specifications subject to change without notice. Designed for optional performance in store environments where temperature and humidity do not exceed 75 degrees and 55% R.H. Certified to UL 471 and ANSI/NSF Standard 7.

Base Model Features

- Sled runner base construction.
- Standard 52”H with 42”D.
- 13-15/16”H base trim painted metal to match exterior.
- 60 degree front dieboard.
- Stainless steel exterior trim.
- 3/8” glass case top.
- Stainless steel outside back.
- Sliding reflective rear load doors.
- Single-pane, regular-glare curved lift front glass.
- Spherical hardware.
- Painted metal exterior.
- Black painted metal interior and trim.
- Flat bottom merchandising deck.
- Clearvoyant® LED dual top lighting.
- Rear electrical raceway.
- Energy efficient fans.
- Solar digital thermometer.
- Remote DX refrigeration package.

Available Options

- Mirror polish stainless steel, thermal glass divider or glass ends.
- Exterior standard grade laminate.
- ISO outlet.
- Scale stand.
- 1 row 14” and/or 16” painted metal, stainless steel or glass shelves.
- Clearvoyant LED undershelf lights.
- Interior or exterior stainless steel.
- Cart bumper.
- Polytop, solid surface, stone or stainless steel case top.
- Remote glycol or CO₂ refrigeration packages.
- Cube flip-up glass hardware with vertical glass.
- Non-glare flat glass.



Dover Food Retail
 Conyers, GA USA
 844.591.5937
 hillphoenix.com

©2018 Hillphoenix, Inc.

