

Hillphoenix

a **DOVER** company

SSAW-R

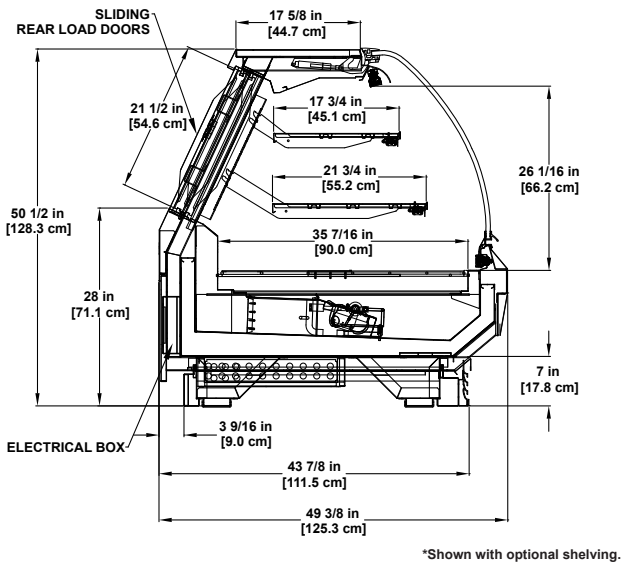
Service Multi-Deck

Refrigerated deli merchandiser with curved lift-glass.



Photo may depict options not included on standard models.

Model SSAW-R Service Multi-Deck



Please consult Hillphoenix Engineering Reference Manual for dimensions, plan views and technical specifications. Specifications subject to change without notice. Designed for optional performance in store environments where temperature and humidity do not exceed 75 degrees and 55% R.H. Certified to UL 471 and ANSI/NSF Standard 7.

Base Model Features

- C-frame with bullet leg construction.
- Standard 50-1/2"H with 7"H base frame height.
- 49-3/8" deep model.
- Exterior: Painted metal, including lower front panel above base.
- Stainless steel base trim, front and sides.
- Stainless steel exterior trim.
- Painted metal outside back and rear base trim.
- Stainless steel top sill (17-5/8" does not require scale stand).
- Clear rear load doors with black frames.
- 5/8" thermopane, insulated regular-glare curved lift front glass.
- Black painted metal interior and trim.
- Black plastic coil covers with fixed black wire rack.
- Clearvoyant® LED canopy lights.
- Rear electrical box mounted behind the lower panel.
- Solar digital thermometer.
- Energy efficient fans.
- Remote DX refrigeration package.

Available Options

- Available lengths: 4', 6', 8' and 12'.
- Case heights available: 52-1/2" and 54-1/2".
- Alternate flexible base heights include: 9" and 11"H.
- Extruded polymer base trim.
- Painted metal base trim.
- Master with nose bumper.
- Cart Bumper (for flat front profile).
- Interior and exterior stainless steel finish.
- White or other painted metal interior finish.
- Solid surface or stone case top.
- Integrated casetop scale stand.
- Adjustable scalestand.
- (1) row each 18" and 22" black painted metal shelving with PTM.
- Clearvoyant LED undershelf lighting.
- White plastic coil covers.
- Adjustable wire racks.
- Reflective rear load doors.
- Black glass gasket, wipe and glass handle.
- Rear flip-up work boards.
- ISO outlet/CON outlets.
- Solid interior painted, solid interior mirror polish stainless steel, thermal glass divider or glass ends.



Dover Food Retail
Conyers, GA USA
844.591.5937
hillphoenix.com

©2018 Hillphoenix, Inc.

Hillphoenix
a DOVER company