

Hillphoenix

a **DOVER** company

SSD-LT-F

Service Single-Deck

Low temp refrigerated seafood merchandiser with curved or flat fixed glass.

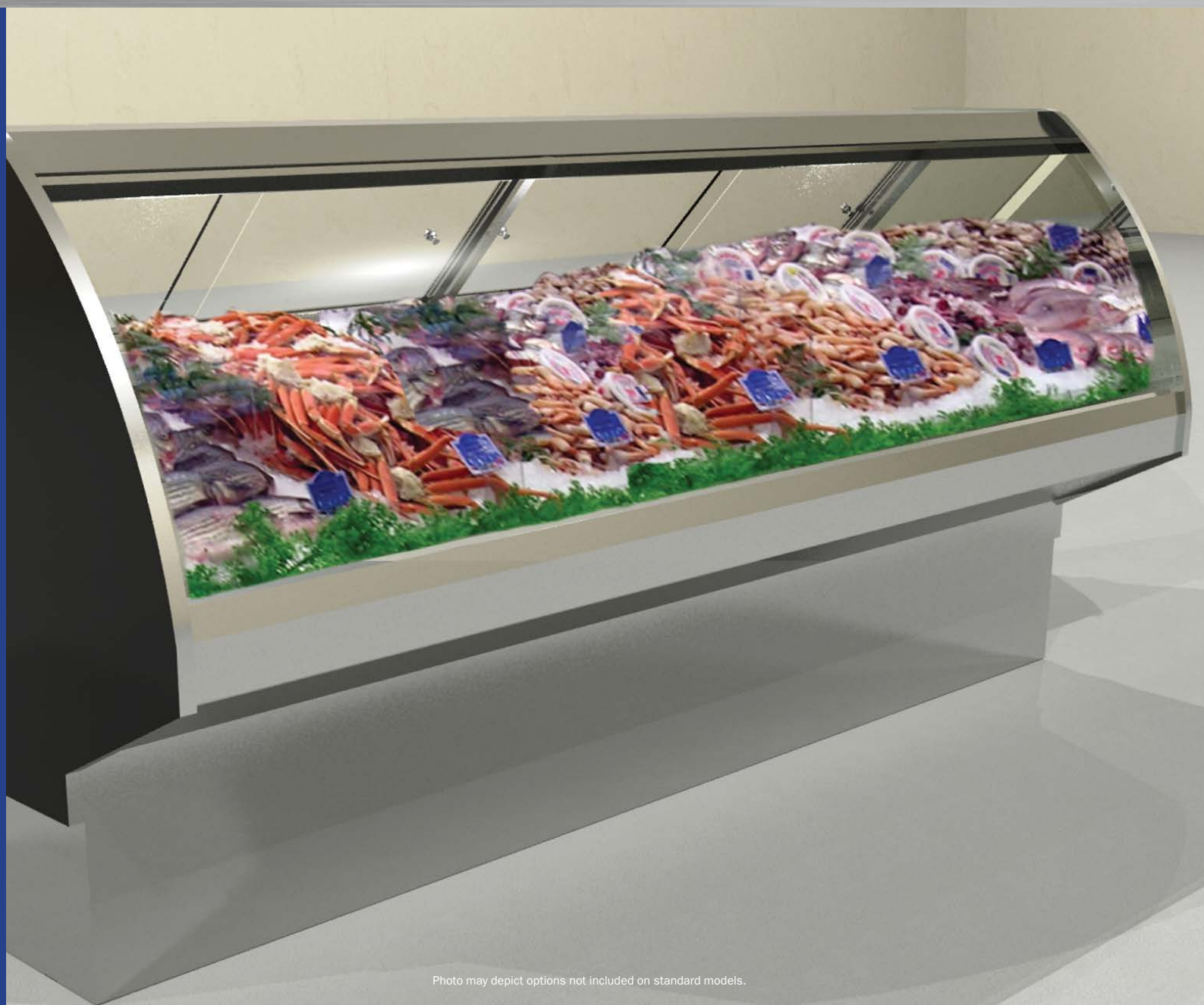
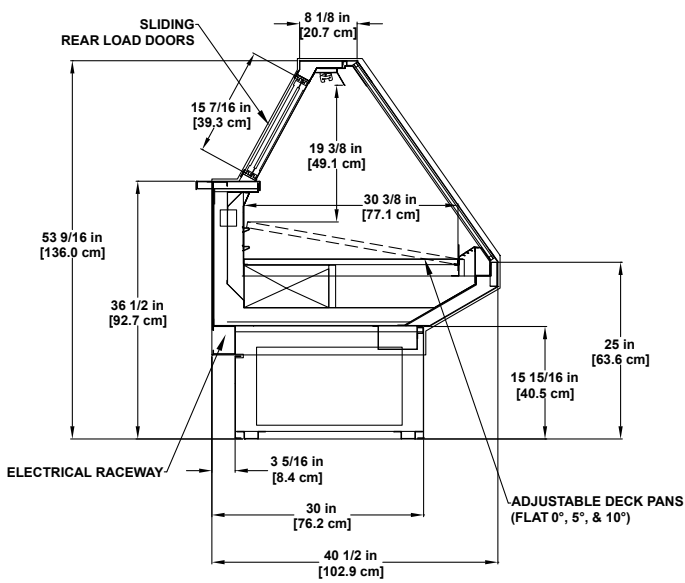


Photo may depict options not included on standard models.

Model SSD-LT-F
Service Single-Deck



Please consult Hillphoenix Engineering Reference Manual for dimensions, plan views and technical specifications. Specifications subject to change without notice. Designed for optional performance in store environments where temperature and humidity do not exceed 75 degrees and 55% R.H. Certified to UL 471 and ANSI/NSF Standard 7.

Base Model Features

- Sled runner base construction.
- Standard 53-9/16”H and 40-1/2”D.
- Painted metal exterior including lower glass trim.
- 15-15/16”H base trim painted metal to match exterior.
- Stainless steel exterior trim.
- Stainless steel outside back and case top.
- Stainless steel rear work ledge.
- Insulated, reflective rear load doors.
- Heated, insulated regular-glare flat fixed front glass.
- Stainless steel interior and trim.
- Adjustable angle bottom merchandising deck.
- Clearvoyant LED canopy lights.
- Rear electrical raceway.
- Electronic refrigeration controller.
- GE low temp fans.
- Electric defrost.
- Remote DX refrigeration package.

Available Options

- Alternate toekick height include: 13-15/16”H.
- Bullet leg base with adjustable height toekick.
- Stainless steel base trim.
- Cart bumper.
- Exterior stainless steel finish.
- Solid surface or stone case top.
- Integrated case top scale stand.
- Adjustable scale stand.
- Fixed curved regular-glare.
- Rear flip-up work boards.
- ISO outlet/CON outlets.
- Solid interior mirror polish stainless steel, thermal glass divider or glass ends.
- Remote glycol or CO₂ refrigeration packages.



Dover Food Retail
 Conyers, GA USA
 844.591.5937
 hillphoenix.com



©2018 Hillphoenix, Inc.