

REFERENCE NOTES FOR ENGINEERING DATA

- Listed BTUH/ft data represent unlighted shelves. For LED lighting, add 9 BTUH/ft to determine Total Case Lighting BTUH Load, then divide by the length of the case to obtain a value in BTUH/ft.
- BTUH load increases by 132 BTUH/ft when aftermarket merchandising accessories are utilized.
- Listed evaporator temperature represents unlighted shelves. For lighted shelves and/or aftermarket merchandising accessories, reduce the listed evaporator temperature by 2°F.
- Conventional Discharge Air Control – Recommended Settings: Cut-In Temp = Discharge Air + 2°F; Cut-Out Temp = Discharge Air - 2°F.
- Listed discharge air velocity represents the average velocity at the peak of defrost.
- Temperature and defrost settings listed below are recommended start-up settings. Final operational settings may need to be adjusted for the store conditions in which the case operates.
- The recommended evaporator temperatures may need to be adjusted based on system setup, store conditions, etc. The minimum recommended evaporator temperature is 4°F below the listed evaporator temperature.
- LED lights only.
- Maximum of 5 rows of Standard Output LED lighted shelves.
- 2 rows of high output cornice lights are not available with the 23 1/2" lighted front - only 2 rows of standard or 1 row of high output cornice lights are available with this front.
- "0.00" indicates data is not yet available

REFERENCE NOTES FOR CROSS SECTIONS

* : STUB-UP AREA

** : RECOMMENDED STUB-UP CENTERLINE FOR ELECTRICAL AND HUB DRAINS

- Ends add approximately 1" to case height
- Wiring to the top adds approximately 4" to case height
- 2" minimum air gap is required between the rear of the case and a wall
- Back panels add approximately 1" to the rear of the case suction line 7/8".
- Liquid line with hot gas defrost 1/2"
- Available shelf sizes: 10", 12", 14", 16", 18", 20", 22" & 24"
- Dashed lines signify area inside the base rail behind kick plate
- Pipping adds an additional 7" to case height
- Casters add 2 1/4" to case height
- All measurements are taken per ASHRAE-72-2005 specifications. Hillphoenix refrigerated display cases for sale in the United States meet or exceed department of energy 2017 efficiency requirements.



COMPONENT

ALL MEASUREMENTS ARE TAKEN PER ASHRAE-72-2005 SPECIFICATIONS. HILLPHOENIX REFRIGERATED DISPLAY CASES FOR SALE IN THE UNITED STATES MEET OR EXCEED DEPARTMENT OF ENERGY 2017 REQUIREMENTS.

5DMLH-NRG

Rev Date:	Rev #	Revision Description:
10/23/17	1	DOE 2017

Hillphoenix

A DOVER COMPANY

5DMLH-NRG

High Multi-Deck Merchandiser with Synerg-E™
4', 6', 8' & 12' (Beverage / Dairy / Deli / Produce)

ELECTRICAL DATA			
Case Length	Fans Per Case	High Efficiency Fans	
		120 volts	
		Amps	Watts
4'	2	0.38	43.0
6'	3	0.57	65.0
8'	3	0.76	87.0
12'	4	1.14	130.0

LIGHTING DATA						
Case Length	Lights Per Row	Light Length	Clearvoyant v4 LED Lighting (Per Light Row)			
			Standard Power (Cornice or Shelf)		High Power (Cornice)	
			120 Volts		120 Volts	
			Amps	Watts	Amps	Watts
4'	1	4'	0.05	5.9	0.12	14.9
6'	2	3'	0.08	9.4	0.20	23.8
8'	2	4'	0.10	11.8	0.25	29.9
12'	3	4'	0.15	17.6	0.37	44.8

GUIDELINES AND CONTROL SETTINGS						
Application	BTUH/ft		Superheat Set Point @ Bulb	Evaporat or	Discharge Air	Discharge Air Velocity
	Conventional	Parallel				
Dairy/Deli/Cut Produce	1608	1360	6-8 °F	28 °F	34 °F	320 FPM
Beverage/Bulk Produce	1315	1110	6-8 °F	32 °F	37 °F	320 FPM

DEFROST CONTROLS			
Application	Defrosts Per Day	Timed-off Defrost	
		Fail-Safe	Termination Temp
Dairy/Deli/Cut Produce	6	45 (min)	47 °F
Beverage/Bulk Produce	2	30 (Min)	42 °F



ALL MEASUREMENTS ARE TAKEN PER ASHRAE-72-2005 SPECIFICATIONS. HILLPHOENIX REFRIGERATED DISPLAY CASES FOR SALE IN THE UNITED STATES MEET OR EXCEED DEPARTMENT OF ENERGY 2017 REQUIREMENTS.

5DMLH-NRG

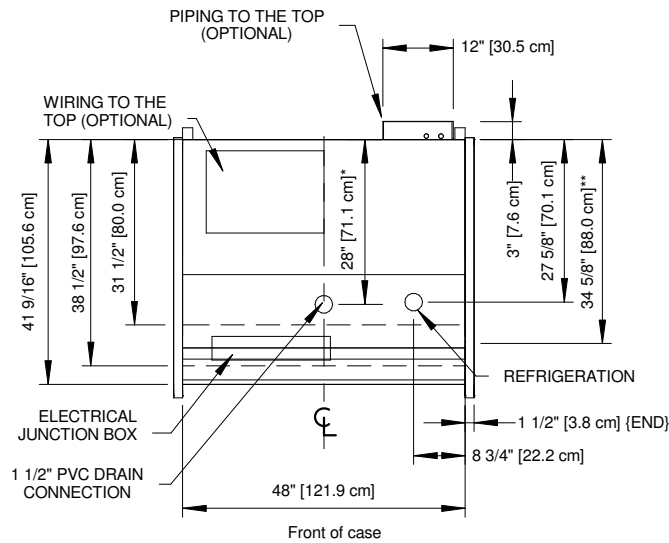
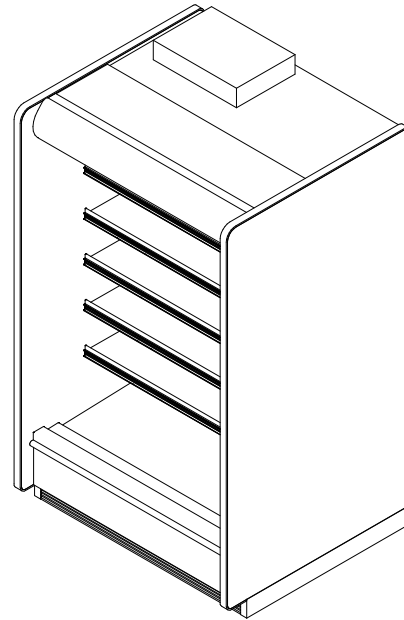
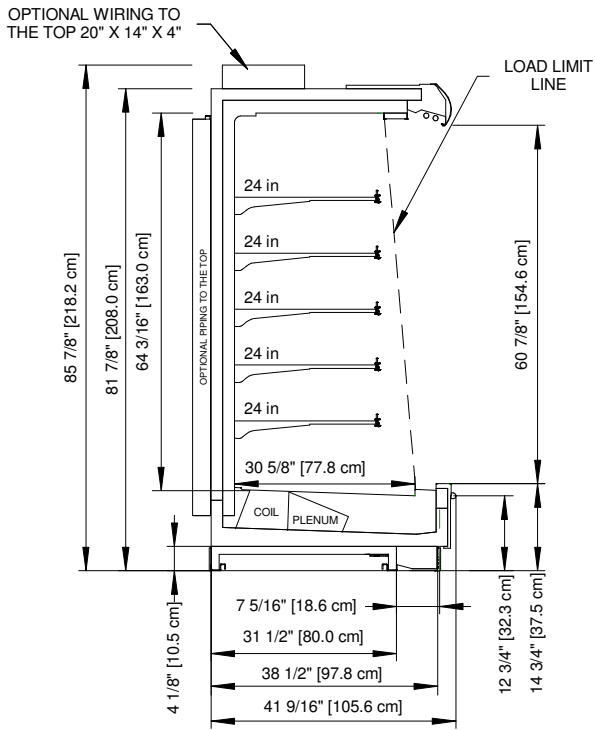
Rev Date:	Rev #	Revision Description:
10/23/17	1	DOE 2017



A DOVER COMPANY

5DMLH-NRG

High Multi-Deck Merchandiser with Synerg-E™
4', 6', 8' & 12' (Beverage / Dairy / Deli / Produce)



2017
DOE
COMPLIANT



COMPONENT

ALL MEASUREMENTS ARE TAKEN PER ASHRAE-72-2005 SPECIFICATIONS. HILLPHOENIX REFRIGERATED DISPLAY CASES FOR SALE IN THE UNITED STATES MEET OR EXCEED DEPARTMENT OF ENERGY 2017 REQUIREMENTS.

5DMLH-NRG 4'

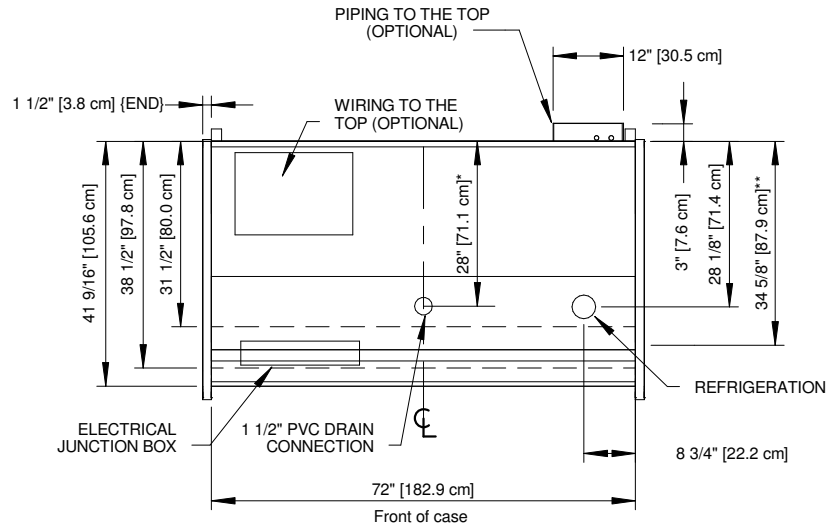
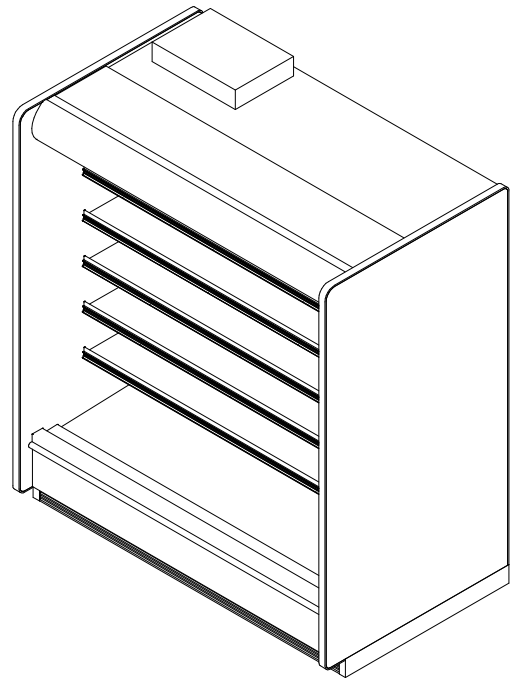
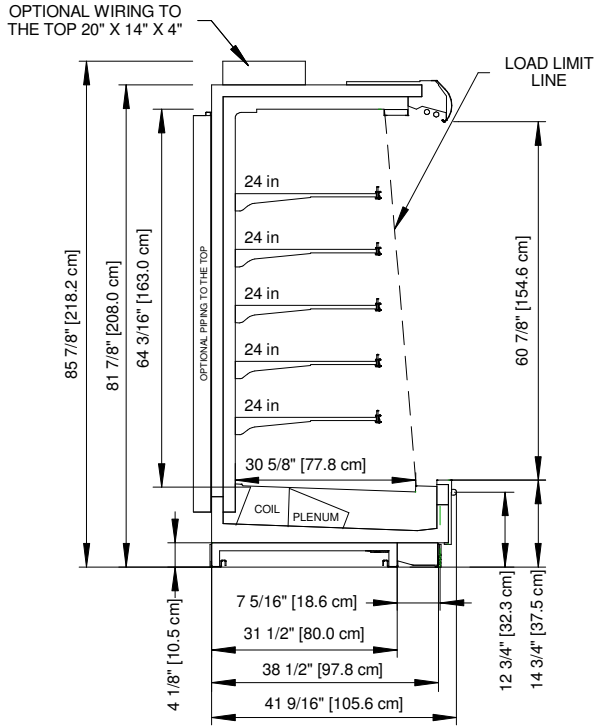
Rev Date:	Rev #	Revision Description:
10/23/17	1	DOE 2017

Hillphoenix

A DOVER COMPANY

5DMLH-NRG

High Multi-Deck Merchandiser with Synerg-E™
4', 6', 8' & 12' (Beverage / Dairy / Deli / Produce)



2017
DOE
COMPLIANT



COMPONENT

ALL MEASUREMENTS ARE TAKEN PER ASHRAE-72-2005 SPECIFICATIONS. HILLPHOENIX REFRIGERATED DISPLAY CASES FOR SALE IN THE UNITED STATES MEET OR EXCEED DEPARTMENT OF ENERGY 2017 REQUIREMENTS.

5DMLH-NRG 6'

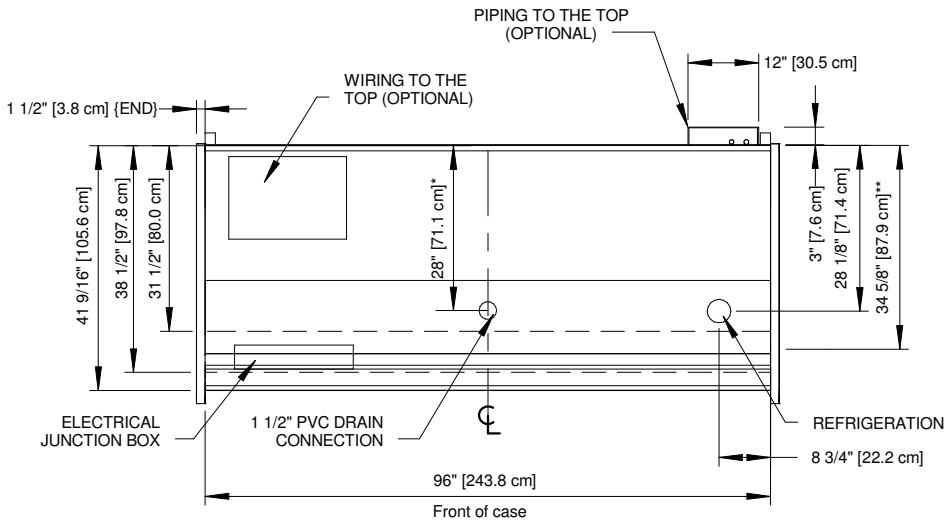
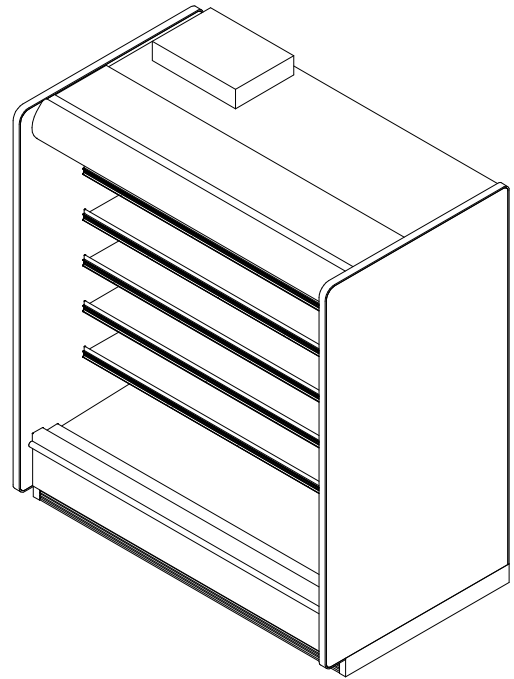
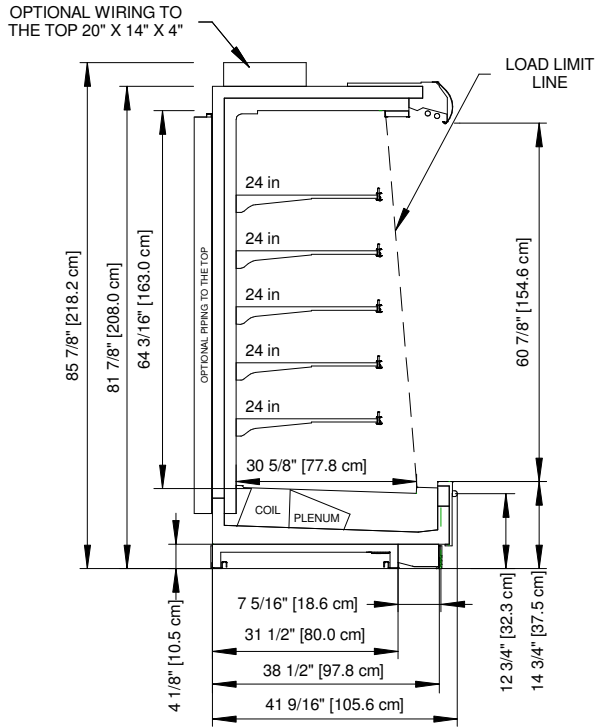
Rev Date:	Rev #	Revision Description:
10/23/17	1	DOE 2017

Hillphoenix

A DOVER COMPANY

5DMLH-NRG

High Multi-Deck Merchandiser with Synerg-E™
4', 6', 8' & 12' (Beverage / Dairy / Deli / Produce)



2017
DOE
COMPLIANT



COMPONENT

ALL MEASUREMENTS ARE TAKEN PER ASHRAE-72-2005 SPECIFICATIONS. HILLPHOENIX REFRIGERATED DISPLAY CASES FOR SALE IN THE UNITED STATES MEET OR EXCEED DEPARTMENT OF ENERGY 2017 REQUIREMENTS.

5DMLH-NRG 8'

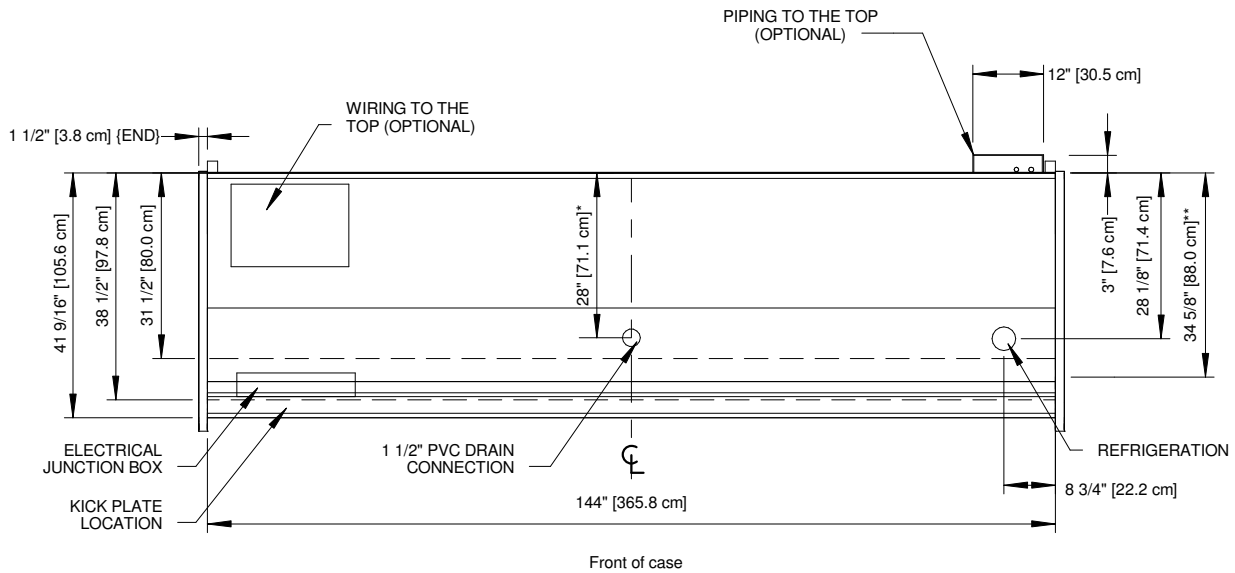
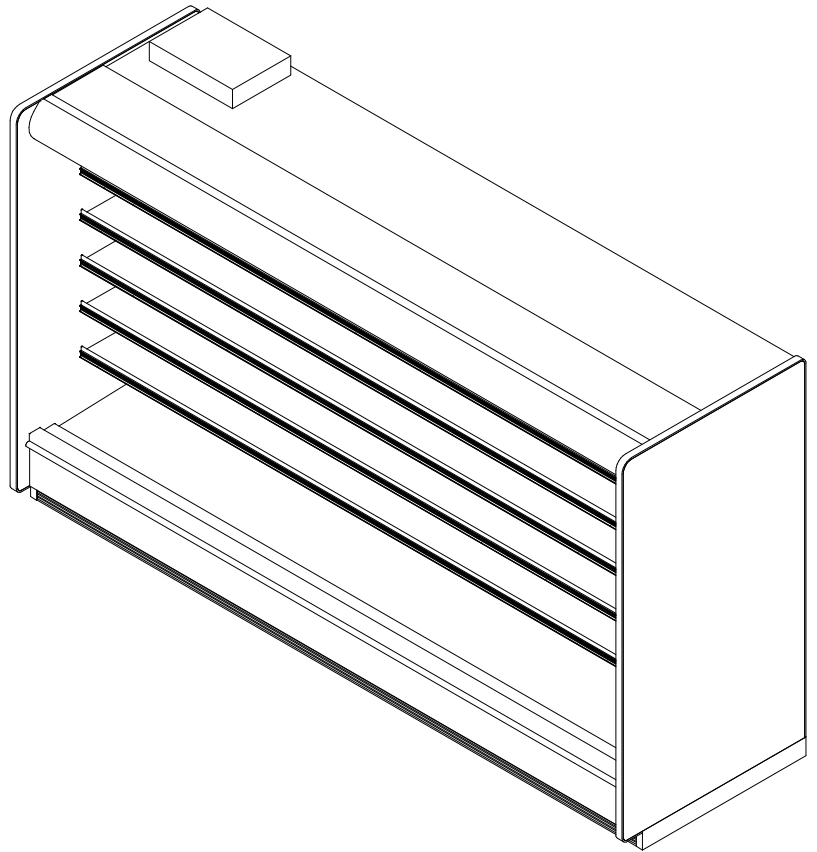
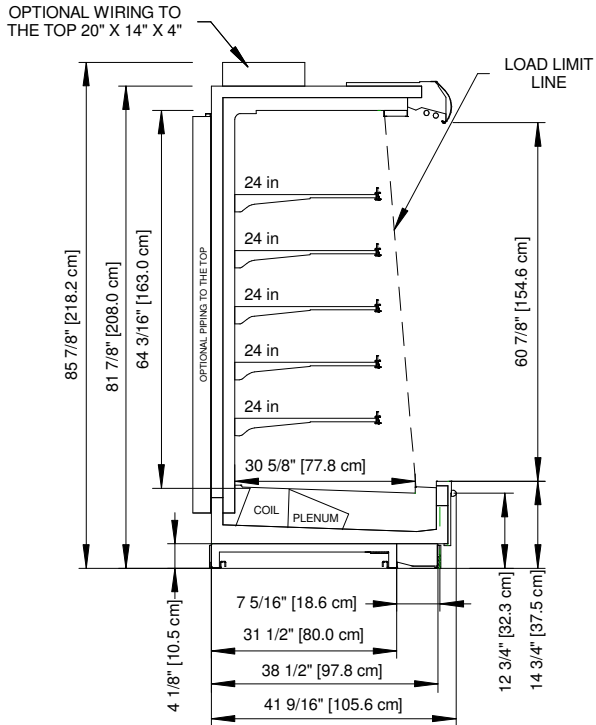
Rev Date:	Rev #	Revision Description:
10/23/17	1	DOE 2017

Hillphoenix

A DOVER COMPANY

5DMLH-NRG

High Multi-Deck Merchandiser with Synerg-E™
4', 6', 8' & 12' (Beverage / Dairy / Deli / Produce)



2017
DOE
COMPLIANT



COMPONENT

ALL MEASUREMENTS ARE TAKEN PER ASHRAE-72-2005 SPECIFICATIONS. HILLPHOENIX REFRIGERATED DISPLAY CASES FOR SALE IN THE UNITED STATES MEET OR EXCEED DEPARTMENT OF ENERGY 2017 REQUIREMENTS.

5DMLH-NRG 12'

Rev Date:	Rev #	Revision Description:
10/23/17	1	DOE 2017

Hillphoenix

A DOVER COMPANY