

# Self-Service Open Single-Deck Merchandiser w/ Curved or Flat Glass

**BSD HOT - 4', 6', 8', 10', & 12'**

## Self-Service

| Model |     | Top Heaters |                 | Bottom Heaters |                 | Lights |                 | Shelves |                 | Total Amps<br>(208-3-60) |       |       |
|-------|-----|-------------|-----------------|----------------|-----------------|--------|-----------------|---------|-----------------|--------------------------|-------|-------|
|       |     | Qty         | Watts<br>(each) | Qty            | Watts<br>(each) | Qty    | Watts<br>(each) | Qty     | Watts<br>(each) | L1                       | L2    | L3    |
| BSDH  | 4'  | 3           | 400             | 2              | 600             | 2      | 100             | ---     | ---             | 11.52                    | 7.2   | 5.88  |
|       | 6'  | 4           | 400             | 3              | 600             | 3      | 100             | ---     | ---             | 10.58                    | 12.49 | 12.23 |
|       | 8'  | 6           | 400             | 4              | 600             | 4      | 100             | ---     | ---             | 17.28                    | 17.28 | 15.09 |
|       | 10' | 7           | 400             | 5              | 600             | 5      | 100             | ---     | ---             | 20.16                    | 20.72 | 19.2  |
|       | 12' | 8           | 400             | 6              | 600             | 6      | 100             | ---     | ---             | 26.73                    | 23.12 | 26    |

## Electrical Data

| Model |     | Fans<br>per<br>Case | Control Fans |       |
|-------|-----|---------------------|--------------|-------|
|       |     |                     | 208 Volts    |       |
|       |     |                     | Amps         | Watts |
| BSDH  | 4'  | 2                   | 0.06         | 14    |
|       | 6'  | 3                   | 0.09         | 21    |
|       | 8'  | 4                   | 0.12         | 28    |
|       | 10' | 4                   | 0.12         | 28    |
|       | 12' | 5                   | 0.15         | 35    |

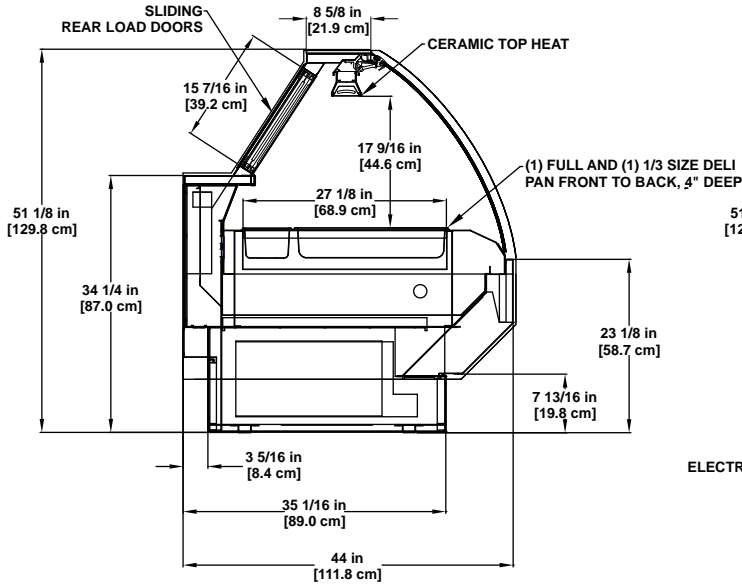
## Lighting Data

| Model |     | Lights<br>per<br>Row | Light<br>Length<br>(ft) | Incandescent<br>Lighting<br>(Per Light Row) |       |
|-------|-----|----------------------|-------------------------|---|-------|
|       |     |                      |                         | Amps  | Watts |
| BSDH  | 4'  | 2                    | ---                     | 0.96  | 200   |
|       | 6'  | 3                    | ---                     | 1.44  | 300   |
|       | 8'  | 4                    | ---                     | 1.92  | 400   |
|       | 10' | 5                    | ---                     | 2.40  | 500   |
|       | 12' | 6                    | ---                     | 2.88  | 600   |

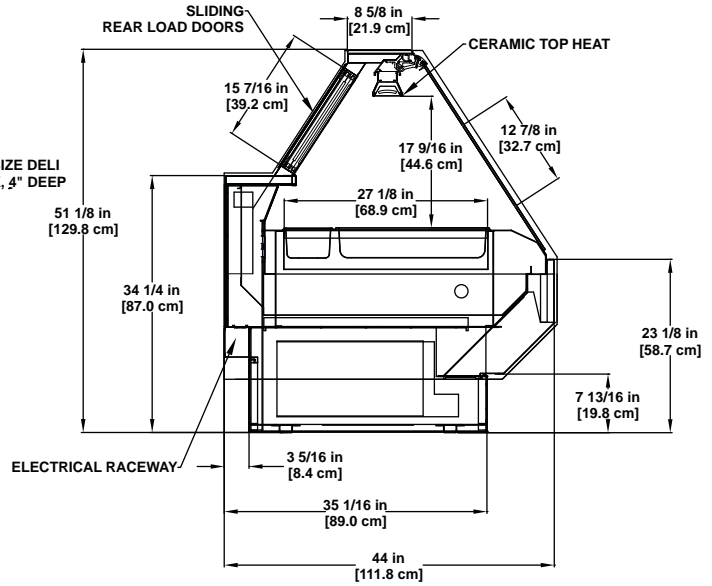
1 NOTE: "---" indicates data not applicable.

Engineered for stores with ambient conditions not to exceed 75° and 55% relative humidity.  
 Due to engineering improvements specifications may change without notice.  
 All measurements are taken per ASHRAE - 72 - 2005 specifications.  
 Numbers are based on standard case sizes. Consult engineering.





**CURVED GLASS**



**FLAT GLASS**

