

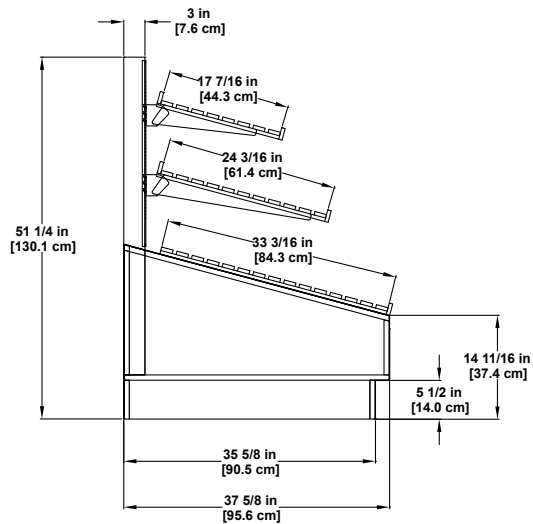
Self-Service Multi-Deck

Dry low profile bakery merchandiser for packaged bread.



Photo may depict options not included on standard models.

Model EBD-O
Self-Service Multi-Deck



Please consult Hillphoenix Engineering Reference Manual for dimensions, plan views and technical specifications. Specifications subject to change without notice. Designed for optional performance in store environments where temperature and humidity do not exceed 75 degrees and 55% R.H. Certified to UP 471 and ANSI/NSF Standard 7.

Available Options

- Wicker merchandising baskets.
- Additional oak angled shelves.
- Cart bumper.
- Open dry rear storage.
- Exterior painted.
- Laminate to match exterior/ white or chrome standards and brackets.
- Closed back shelving (EBD-C) - 3 rows each of adjustable-angle oak slat shelving with clear finish over flat deck.
- Clearvoyant LED shelf lighting.

Base Model Features

- Sled-runner base construction.
- Standard 51-1/4"H and 37-5/8"D.
- Standard 5-1/2"H toekick.
- Straight front profile.
- Standard grade exterior laminate.
- Stainless steel base trim
- Outside back to match exterior laminate selection.
- Standard black laminate interior with black shelf standards and brackets.
- Open back shelving - (1)17-7/16" & (1)24-3/16" adjustable-angle oak slat shelving with clear finish over an angled oak slat deck - Solid wood posts (oak with clear coat).



Conyers, GA USA
844.591.5937
hillphoenix.com

©2017 Hillphoenix, Inc.

FD--EBD-Ov0917