

Model Number: HG-4, HG-6, HG-8

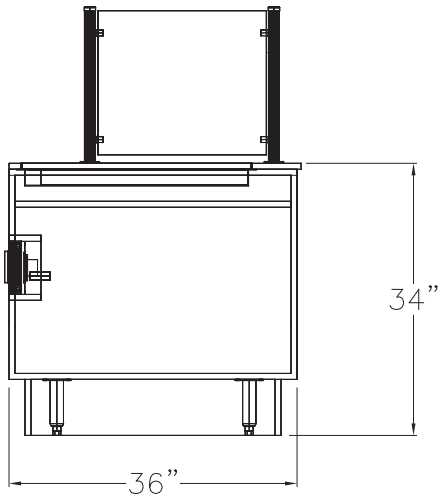
Consult factory for CAD Library

Contact factory for custom mechanical drawing.

SPECIALTY
PRODUCTS

SERVICE
Hot Counter Top

HG Standard Case



DUE TO ENGINEERING IMPROVEMENTS SPECIFICATIONS MAY CHANGE WITHOUT NOTICE.

Contact factory for custom technical and shipping information.

Dimensions

Model	W x D x H
HG-4	48 X 36 X 34
HG-6	72 X 36 X 34
HG-8	96 X 36 X 34