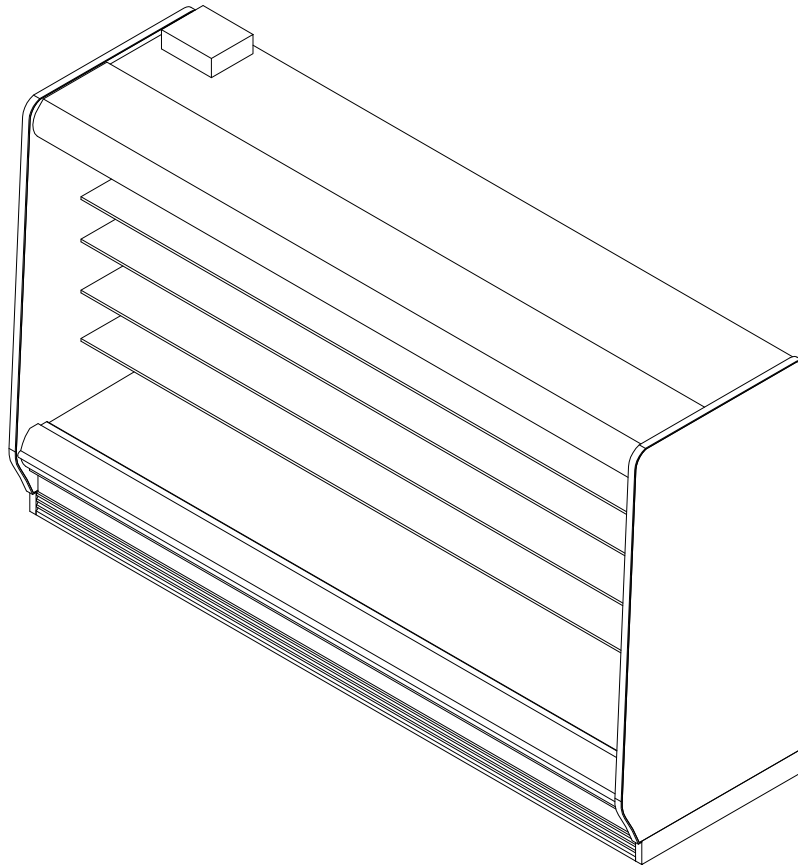


O5DMH-NRG

High Multi-Deck Merchandiser with Synerg-E™
4', 6', 8' & 12' (Beverage / Dairy / Deli / Produce)

GENERAL NOTES

- "---" indicates that the feature is not an option on this case model and/or the data is not available at this time.
- LED lights only.
- Maximum of 5 rows of Standard Output LED lighted shelves.



SHIPPING WEIGHT	
Case	Weight
O5DMH-NRG	---



COMPONENT

ALL MEASUREMENTS ARE TAKEN PER ASHRAE-72-2005 SPECIFICATIONS. HILLPHOENIX REFRIGERATED DISPLAY CASES FOR SALE IN THE UNITED STATES MEET OR EXCEED DEPARTMENT OF ENERGY 2017 REQUIREMENTS.

O5DMH-NRG

Rev Date:	Rev #	Revision Description:
9-11-18	3	DATA UPDATE
5-29-18	2	NEW STANDARDS

Hillphoenix
A DOVER COMPANY

O5DMH-NRG

High Multi-Deck Merchandiser with Synerg-E™
4', 6', 8' & 12' (Beverage / Dairy / Deli / Produce)

ELECTRICAL DATA			
Case Length	Fans Per Case	High Efficiency Fans	
		120 Volt	
		Amps	Watts
4'	1	0.23	18.0
6'	2	0.47	35.0
8'	2	0.47	35.0
12'	3	0.70	53.0

LIGHTING DATA					
Case Length	Lights per row	Clearvoyant v4 LED Lighting (Per Light Row)			
		Standard Power (Cornice or Shelf)		High Power (Cornice Only)	
		120 Volts		120 Volts	
		Amps	Watts	Amps	Watts
4'	1	0.05	5.9	0.12	14.9
6'	2	0.08	9.4	0.20	23.8
8'	2	0.10	11.8	0.25	29.9
12'	3	0.15	17.6	0.37	44.8

GUIDELINES AND CONTROL SETTINGS							
Application	Front Sill height	BTUH/ft		Superheat Set Point @ Bulb (°F)	Evaporator (°F)	Discharge Air (°F)	Discharge Air Velocity (FPM)
		Conventional	Parallel				
Beverage/Bulk Produce	2.5" Extended	1291	1130	6 - 8	34	37	150
Beverage/Bulk Produce	5" Extended	1263	1105	6 - 8	34	37	150
Beverage/Bulk Produce	7.5" Extended	1240	1085	6 - 8	34	37	150
Beverage/Bulk Produce	Standard	1331	1165	6 - 8	34	37	150
Dairy/Deli/Cut Produce	2.5" Extended	1531	1340	6 - 8	28	31	150
Dairy/Deli/Cut Produce	5" Extended	1503	1315	6 - 8	28	31	150
Dairy/Deli/Cut Produce	7.5" Extended	1480	1295	6 - 8	28	31	150
Dairy/Deli/Cut Produce	Standard	1571	1375	6 - 8	28	31	150

DEFROST CONTROLS			
Application	Defrosts Per Day	Timed-Off Defrost	
		Fail-Safe (Min)	Termination Temp (F)
Beverage/Bulk Produce	2	30	47
Dairy/Deli/Cut Produce	6	40	47

NOTES:

- "----" indicates that the feature is not an option on this case model and/or the data is not available at this time.
- Listed BTUH/ft data represent unlighted shelves. For LED lighting, add 9 BTUH/ft per row of lighted shelving.
- BTUH load increases by 132 BTUH/ft when aftermarket merchandising accessories are utilized.
- Listed evaporator temperature represents unlighted shelves. For lighted shelves and/or aftermarket merchandising accessories, reduce the listed evaporator temperature by 2°F.
- Conventional Discharge Air Control – Recommended Settings: Cut-In Temp = Discharge Air + 2°F; Cut-Out Temp = Discharge Air - 2°F.
- Listed discharge air velocity represents the average velocity immediately after defrost.
- Temperature and defrost settings listed above are recommended start-up settings. Final operational settings may need to be adjusted for the store conditions in which the case operates.
- The recommended evaporator temperatures may need to be adjusted based on system setup, store conditions, etc. The minimum recommended evaporator temperature is 4°F below the listed evaporator temperature.



O5DMH-NRG

ALL MEASUREMENTS ARE TAKEN PER ASHRAE-72-2005 SPECIFICATIONS. HILLPHOENIX REFRIGERATED DISPLAY CASES FOR SALE IN THE UNITED STATES MEET OR EXCEED DEPARTMENT OF ENERGY 2017 REQUIREMENTS.

Rev Date:	Rev #	Revision Description:
9-11-18	3	DATA UPDATE
5-29-18	2	NEW STANDARDS

Hillphoenix
A DOVER COMPANY

O5DMH-NRG

High Multi-Deck Merchandiser with Synerg-E™
4', 6', 8' & 12' (Beverage / Dairy / Deli / Produce)

SECOND NATURE DATA								
Case Model	No. of Coils	Application	Front Sill Type	BTUH/ft (DR)		GPM/ft (DR)	Supply Fluid Temp (F)	Discharge Air Temp (F)
				Conventional	Parallel			
O5DMH-NRG	1	Beverage/Bulk Produce	7.5" Extended	1240	1085	0.24	20	37
O5DMH-NRG	1	Beverage/Bulk Produce	5" Extended	1263	1105	0.25	20	37
O5DMH-NRG	1	Beverage/Bulk Produce	2.5" Extended	1291	1130	0.25	20	37
O5DMH-NRG	1	Beverage/Bulk Produce	Standard	1331	1165	0.26	20	37
O5DMH-NRG	1	Dairy/Deli/Cut Produce	7.5" Extended	1480	1295	0.38	20	33
O5DMH-NRG	1	Dairy/Deli/Cut Produce	5" Extended	1503	1315	0.39	20	33
O5DMH-NRG	1	Dairy/Deli/Cut Produce	2.5" Extended	1531	1340	0.39	20	33
O5DMH-NRG	1	Dairy/Deli/Cut Produce	Standard	1571	1375	0.40	20	33
O5DMH-NRG	1	Beverage/Bulk Produce	7.5" Extended	1240	1085	0.42	25	37
O5DMH-NRG	1	Beverage/Bulk Produce	5" Extended	1263	1105	0.42	25	37
O5DMH-NRG	1	Beverage/Bulk Produce	2.5" Extended	1291	1130	0.43	25	37
O5DMH-NRG	1	Beverage/Bulk Produce	Standard	1331	1165	0.44	25	37
O5DMH-NRG	1	Dairy/Deli/Cut Produce	7.5" Extended	1480	1295	0.69	25	33
O5DMH-NRG	1	Dairy/Deli/Cut Produce	5" Extended	1503	1315	0.70	25	33
O5DMH-NRG	1	Dairy/Deli/Cut Produce	2.5" Extended	1531	1340	0.71	25	33
O5DMH-NRG	1	Dairy/Deli/Cut Produce	Standard	1571	1375	0.73	25	33

SECOND NATURE DATA								
Case Model	No. of Coils	Application	Front Sill Type	No. of Defrost	Timed Off Defrost		Warm Fluid Defrost	
					Fail Safe (Min)	Termination Temp (F)	Fail Safe (Min)	Termination Temp (F)
O5DMH-NRG	1	Beverage/Bulk Produce	7.5" Extended	6	60	47	26	49
O5DMH-NRG	1	Beverage/Bulk Produce	5" Extended	6	60	47	26	49
O5DMH-NRG	1	Beverage/Bulk Produce	2.5" Extended	6	60	47	26	49
O5DMH-NRG	1	Beverage/Bulk Produce	Standard	6	60	47	26	49
O5DMH-NRG	1	Dairy/Deli/Cut Produce	7.5" Extended	6	60	47	26	49
O5DMH-NRG	1	Dairy/Deli/Cut Produce	5" Extended	6	60	47	26	49
O5DMH-NRG	1	Dairy/Deli/Cut Produce	2.5" Extended	6	60	47	26	49
O5DMH-NRG	1	Dairy/Deli/Cut Produce	Standard	6	60	47	26	49
O5DMH-NRG	1	Beverage/Bulk Produce	7.5" Extended	6	45	47	26	49
O5DMH-NRG	1	Beverage/Bulk Produce	5" Extended	6	45	47	26	49
O5DMH-NRG	1	Beverage/Bulk Produce	2.5" Extended	6	45	47	26	49
O5DMH-NRG	1	Beverage/Bulk Produce	Standard	6	45	47	26	49
O5DMH-NRG	1	Dairy/Deli/Cut Produce	7.5" Extended	6	45	47	26	49
O5DMH-NRG	1	Dairy/Deli/Cut Produce	5" Extended	6	45	47	26	49
O5DMH-NRG	1	Dairy/Deli/Cut Produce	2.5" Extended	6	45	47	26	49
O5DMH-NRG	1	Dairy/Deli/Cut Produce	Standard	6	45	47	26	49



O5DMH-NRG

ALL MEASUREMENTS ARE TAKEN PER ASHRAE-72-2005 SPECIFICATIONS. HILLPHOENIX REFRIGERATED DISPLAY CASES FOR SALE IN THE UNITED STATES MEET OR EXCEED DEPARTMENT OF ENERGY 2017 REQUIREMENTS.

Rev Date:	Rev #	Revision Description:
9-11-18	3	DATA UPDATE
5-29-18	2	NEW STANDARDS



O5DMH-NRG

High Multi-Deck Merchandiser with Synerg-E™
4', 6', 8' & 12' (Beverage / Dairy / Deli / Produce)

CORNICHE OPTIONS		CURVED CORNICE	CURVED CORNICE WITH NIGHT COVER	FACETED CORNICE	FACETED CORNICE WITH NIGHT COVER	FLAT CORNICE	FLAT CORNICE WITH STANDARD NIGHT COVER
		39 5/8"	42 7/8"	39 1/2"	42 3/4"	38 3/4"	41 3/8"
FRONT OPTIONS	FLAT FRONT 2	STANDARD FRONT 19 7/8" [50.5 cm]	2 1/2" EXTENDED FRONT W/ & W/O NOSE LIGHT 22 3/8" [56.9 cm]	5" EXTENDED FRONT W/ & W/O NOSE LIGHT 25" [63.5 cm]	7 1/2" EXTENDED FRONT 27 3/8" [69.6 cm]		
	FLAT FRONT	STANDARD FRONT 18 3/4" [47.5 cm]	2 1/2" EXTENDED FRONT W/ & W/O NOSE LIGHT 21 1/4" [53.9 cm]	5" EXTENDED FRONT W/ & W/O NOSE LIGHT 23 3/4" [60.2 cm]	7 1/2" EXTENDED FRONT 26 1/4" [66.6 cm]		
	CLASSIC 2 METAL	STANDARD FRONT 18 3/4" [47.5 cm]	2 1/2" EXTENDED FRONT W/ & W/O NOSE LIGHT 21 1/4" [53.9 cm]	5" EXTENDED FRONT W/ & W/O NOSE LIGHT 23 3/4" [60.2 cm]	7 1/2" EXTENDED FRONT 26 1/4" [66.6 cm]		
	CLASSIC 2 POLYMER	STANDARD FRONT 18 3/4" [47.5 cm]	2 1/2" EXTENDED FRONT W/ & W/O NOSE LIGHT 21 1/4" [53.9 cm]	5" EXTENDED FRONT W/ & W/O NOSE LIGHT 23 3/4" [60.2 cm]	7 1/2" EXTENDED FRONT 26 1/4" [66.6 cm]		
	ORIGIN 2	STANDARD FRONT 18 3/4" [47.5 cm]	2 1/2" EXTENDED FRONT W/ & W/O NOSE LIGHT 21 1/4" [53.9 cm]	5" EXTENDED FRONT W/ & W/O NOSE LIGHT 23 3/4" [60.2 cm]	7 1/2" EXTENDED FRONT 26 1/4" [66.6 cm]		
	THERMOPANE	6" THERMOPANE FRONT 29 7/8" [75.8 cm]	4" THERMOPANE FRONT 27 7/8" [70.8 cm]	4" THERMOPANE FRONT W/T NOSE LIGHT 27 7/8" [70.8 cm]	6" THERMOPANE FRONT 29 7/8" [75.9 cm]		



COMPONENT

ALL MEASUREMENTS ARE TAKEN PER ASHRAE-72-2005 SPECIFICATIONS. HILLPHOENIX REFRIGERATED DISPLAY CASES FOR SALE IN THE UNITED STATES MEET OR EXCEED DEPARTMENT OF ENERGY 2017 REQUIREMENTS.

O5DMH-NRG

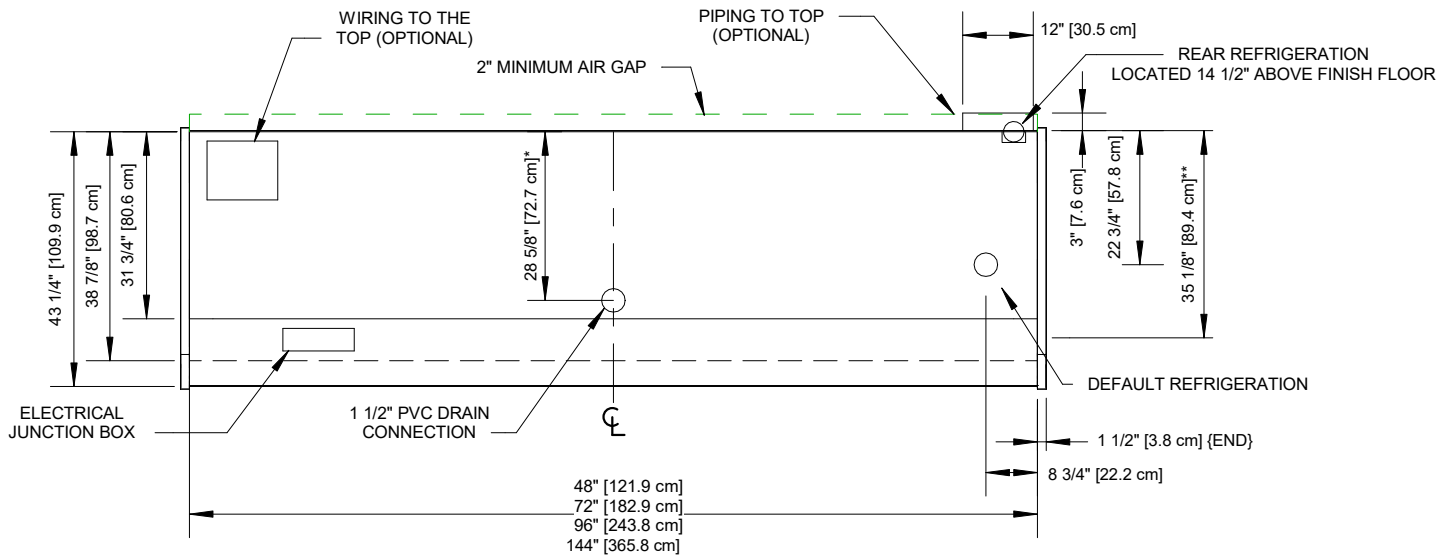
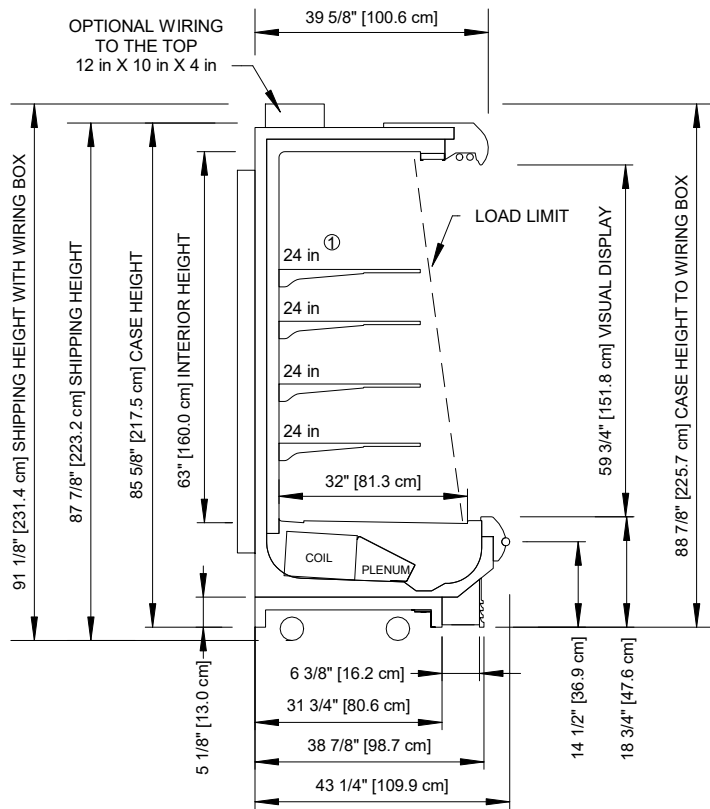
Rev Date:	Rev #	Revision Description:
9-11-18	3	DATA UPDATE
5-29-18	2	NEW STANDARDS

Hillphoenix

A DOVER COMPANY

O5DMH-NRG

High Multi-Deck Merchandiser with Synerg-E™
4', 6', 8' & 12' (Beverage / Dairy / Deli / Produce)



NOTES:

- * :STUB-UP AREA
- ** :RECOMMENDED STUP-UP CENTERLINE FOR ELECTRICAL AND DRAINS
- ① :AVAILABLE SHELF SIZES: 10", 12", 14", 16", 18", 20", 22" & 24"

- Ends add approximately 1" to case height, 1/2" to the back & 1" to the front
- Back panels add approximately 1" to the rear of the case.



O5DMH-NRG

ALL MEASUREMENTS ARE TAKEN PER ASHRAE-72-2005 SPECIFICATIONS. HILLPHOENIX REFRIGERATED DISPLAY CASES FOR SALE IN THE UNITED STATES MEET OR EXCEED DEPARTMENT OF ENERGY 2017 REQUIREMENTS.

Rev Date:	Rev #	Revision Description:
9-11-18	3	DATA UPDATE
5-29-18	2	NEW STANDARDS

