

REFERENCE NOTES FOR ENGINEERING DATA

- Listed BTUH/ft data represent unlighted shelves. For LED lighting, add 9 BTUH/ft per row of lighted shelving.
- Listed discharge air velocity represents the average velocity at the peak of defrost.
- Temperature and defrost settings listed below are recommended start-up settings. Final operational settings may need to be adjusted for the store conditions in which the case operates.
- The recommended evaporator temperatures may need to be adjusted based on system setup, store conditions, etc. The minimum recommended evaporator temperature is 4°F below the listed evaporator temperature.
- "0.00" indicates data is not yet available

REFERENCE NOTES FOR CROSS SECTIONS

* : STUB-UP AREA

** : RECOMMENDED STUB-UP CENTERLINE FOR ELECTRICAL AND DRAINS

- Front sill height and overall case height varies with baseframe height
- Ends add approximately 1" to case height, 1/2" to the back & 1" to the front
- Wiring to the top adds approximately 4" to case height
- Cooler opening should be 82" X case length
- Available shelf sizes: 10", 12", 14", 16", 18", 20", 22" & 24"
- Dashed lines signify area inside base rail behind kick plate
- Rear-loading cases are designed for the rear door to open into an operating cooler
- Peg shelving systems are not to be used with rear-loading cases
- Casters add approximately 2 1/4" to case height



COMPONENT

ALL MEASUREMENTS ARE TAKEN PER ASHRAE-72-2005 SPECIFICATIONS. HILLPHOENIX REFRIGERATED DISPLAY CASES FOR SALE IN THE UNITED STATES MEET OR EXCEED DEPARTMENT OF ENERGY 2017 REQUIREMENTS.

O5MR

Rev Date:	Rev #	Revision Description:
10/23/17	1	DOE 2017

ELECTRICAL DATA							
Case Length	Fans Per Case	High Efficiency Fans		Defrost Heaters			
		120 Volts		208 Volts		240 Volts	
		Amps	Watts	Amps	Watts	Amps	Watts
8'	4	1.44	142.0	3.85	800	4.44	1065
12'	6	2.16	213.0	5.77	1200	6.67	1600

LIGHTING DATA						
Case Length	Lights Per Row	Light Length	Clearvoyant v4 LED Lighting (Per Light Row)			
			Standard Power (Cornice or Shelf)		High Power (Cornice)	
			120 Volts		120 Volts	
			Amps	Watts	Amps	Watts
8'	2	4'	0.10	11.8	0.25	29.9
12'	3	4'	0.15	17.6	0.37	44.8

GUIDELINES AND CONTROL SETTINGS							
Front Sill Height	Coil Type	BTUH/ft		Superheat Set Point @ Bulb (°F)	Evaporator (°F)	Discharge Air (°F)	Discharge Air Velocity (FPM)
		Conventional	Parallel				
Thermopane	Enhanced	1858	1587	6-8 °F	17 °F	31 °F	275 FPM

DEFROST CONTROLS							
Defrosts Per Day	Run-Off Time (Min)	Electric Defrost		Timed-Off Defrost		Hot Gas Defrost	
		Fail-Safe	Termination Temp (°F)	Fail-Safe (Min)	Termination Temp	Fail-Safe	Termination Temp (°F)
6	6-8 (Min)	40 (Min)	47 °F	45 (Min)	45 °F	26 (Min)	45 °F

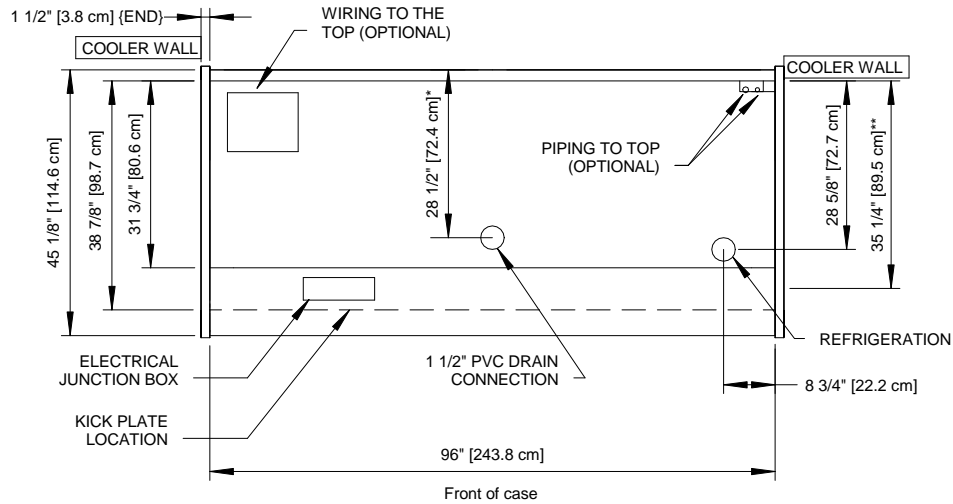
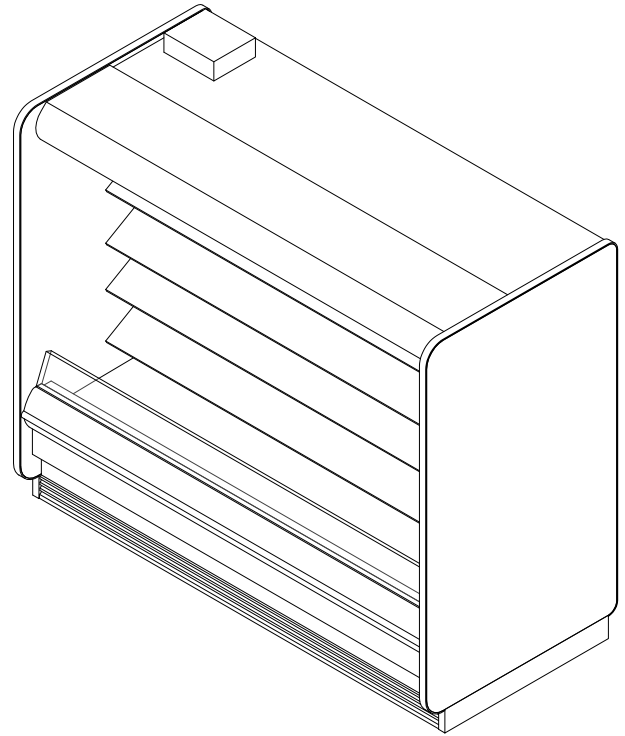
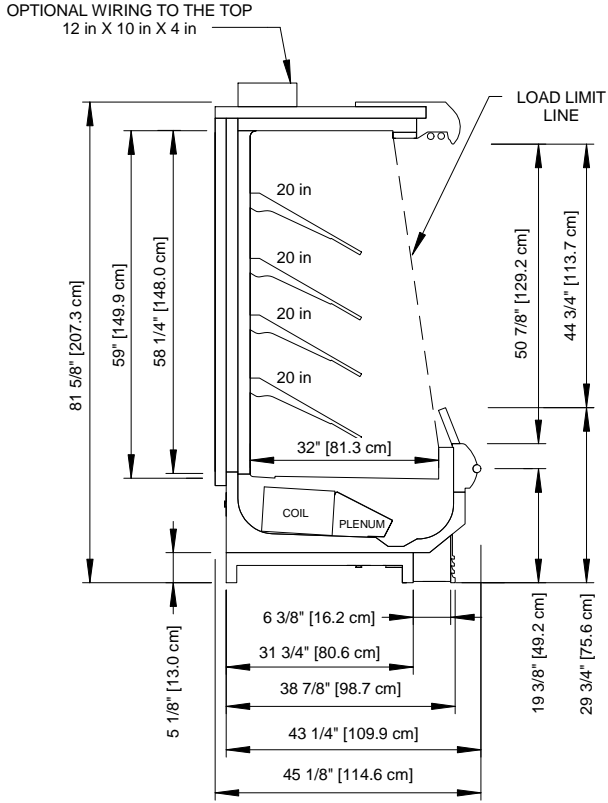


O5MR

ALL MEASUREMENTS ARE TAKEN PER ASHRAE-72-2005 SPECIFICATIONS. HILLPHOENIX REFRIGERATED DISPLAY CASES FOR SALE IN THE UNITED STATES MEET OR EXCEED DEPARTMENT OF ENERGY 2017 REQUIREMENTS.

Rev Date:	Rev #	Revision Description:
10/23/17	1	DOE 2017



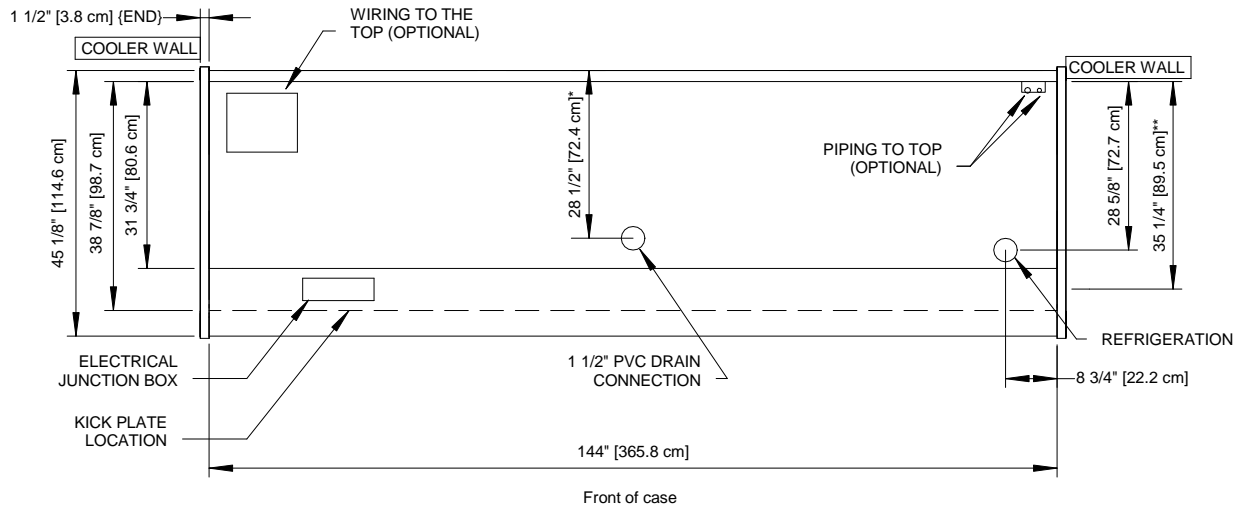
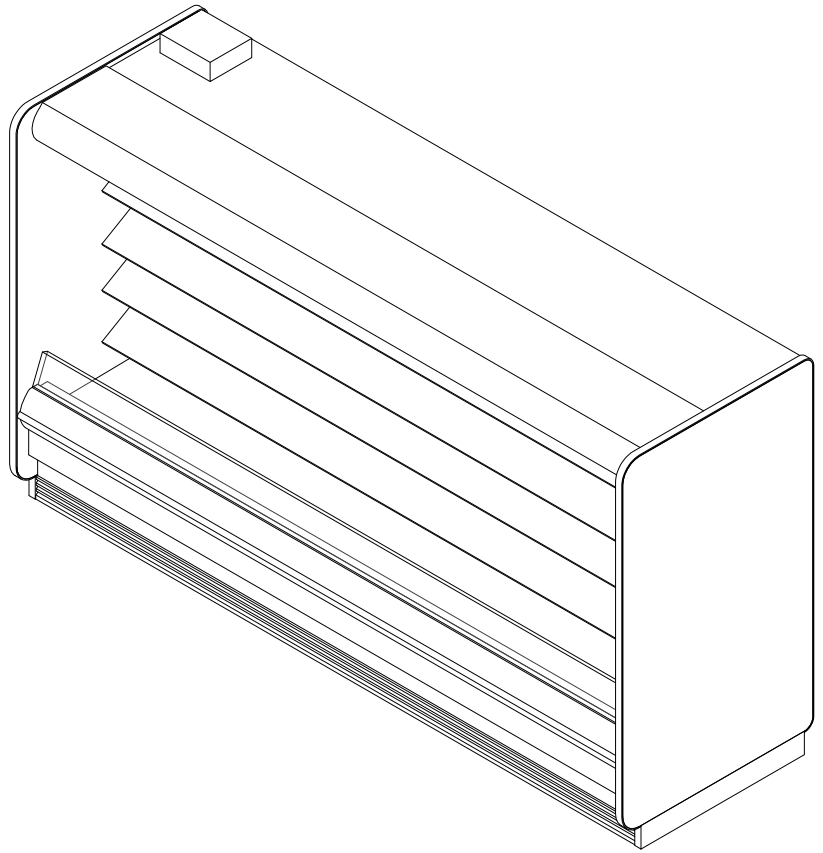
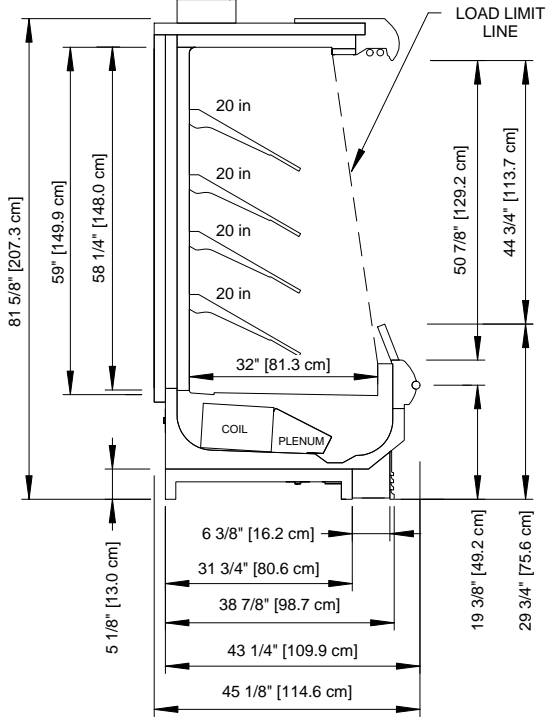


O5MR 8'

ALL MEASUREMENTS ARE TAKEN PER ASHRAE-72-2005 SPECIFICATIONS. HILLPHOENIX REFRIGERATED DISPLAY CASES FOR SALE IN THE UNITED STATES MEET OR EXCEED DEPARTMENT OF ENERGY 2017 REQUIREMENTS.

Rev Date:	Rev #	Revision Description:
10/23/17	1	DOE 2017

OPTIONAL WIRING TO THE TOP
12 in X 10 in X 4 in



ALL MEASUREMENTS ARE TAKEN PER ASHRAE-72-2005 SPECIFICATIONS. HILLPHOENIX REFRIGERATED DISPLAY CASES FOR SALE IN THE UNITED STATES MEET OR EXCEED DEPARTMENT OF ENERGY 2017 REQUIREMENTS.

O5MR 12'

Rev Date:	Rev #	Revision Description:
10/23/17	1	DOE 2017

