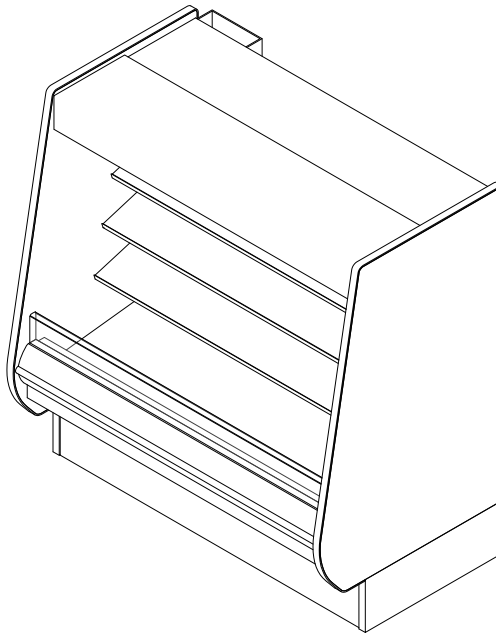


GENERAL NOTES

- " - - -" indicates that the feature is not an option for this case model and/or the data is not yet available.
- LED lights only.
- Maximum of 3 rows of standard output LED lighted shelves.
- Nose lights are not available.



SHIPPING WEIGHT	
Case	Weight
OHMA-NRG	---



COMPONENT

ALL MEASUREMENTS ARE TAKEN PER ASHRAE-72-2005 SPECIFICATIONS. HILLPHOENIX REFRIGERATED DISPLAY CASES FOR SALE IN THE UNITED STATES MEET OR EXCEED DEPARTMENT OF ENERGY 2017 REQUIREMENTS.

OHMA-NRG

Rev Date:	Rev #	Revision Description:
9-19-18	3	DATA UPDATE
8-7-18	2	NEW STANDARDS

LIGHTING DATA				
Lights per row	Clearvoyant v4 LED Lighting (Per Light Row)			
	Standard Power (Cornice or Shelf)		High Power (Cornice Only)	
	120 Volts		120 Volts	
	Amps	Watts	Amps	Watts
2	0.08	9.4	0.20	23.8

SYSTEM REQUIREMENT				
Volts	Phase	Frequency	Plug Style	Cord Length
208	1	60	NEMA L14-20P	120"

GUIDELINES AND CONTROL SETTINGS				
24hr Energy Usage (kWh)	Suction Pressure @ Case Outlet (psig)	Superheat Set Point @ Bulb (°F)	Discharge Air (°F)	Discharge Air Velocity (FPM)
47.6	52-54	6 - 8	30.0	210

CONDENSING UNIT DATA							
Volts	Phase	Frequency (Hz)	Horsepower	Running Load Amps (RLA) (Amps)	Locked Rotor Amps (LRA) (Amps)	Refrigerant	Lbs. of Refrigerant
208	1	60	1 1/4	9.2	54.0	R404A	5.5

DEFROST CONTROLS		
Defrosts Per Day	Timed-Off Defrost	
	Fail-Safe (Min)	Termination Temp (F)
6	30	47

NOTES

- "---" indicates that the feature is not an option for this case model and/or the data is not yet available.
- Listed discharge air velocity represents the average velocity immediately after defrost.
- Temperature and defrost settings listed below are recommended start-up settings. Final operational settings may need to be adjusted for the store conditions in which the case operates.



COMPONENT

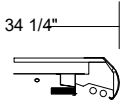
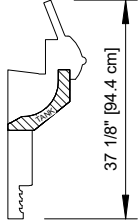
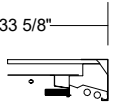
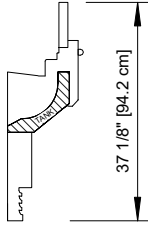
ALL MEASUREMENTS ARE TAKEN PER ASHRAE-72-2005 SPECIFICATIONS. HILLPHOENIX REFRIGERATED DISPLAY CASES FOR SALE IN THE UNITED STATES MEET OR EXCEED DEPARTMENT OF ENERGY 2017 REQUIREMENTS.

OHMA-NRG

Rev Date:	Rev #	Revision Description:
9-19-18	3	DATA UPDATE
8-7-18	2	NEW STANDARDS



A DOVER COMPANY

CORNICE OPTIONS	FRONT OPTIONS
<p><u>CURVED CORNICE</u></p>  <p>34 1/4"</p>	<p><u>ORIGIN 2 FRONT WITH 6" THERMOPANE</u></p>  <p>37 1/8" [94.4 cm]</p>
<p><u>FLAT FRONT</u></p>  <p>33 5/8"</p>	<p><u>FLAT FRONT WITH 6" THERMOPANE</u></p>  <p>37 1/8" [94.2 cm]</p>

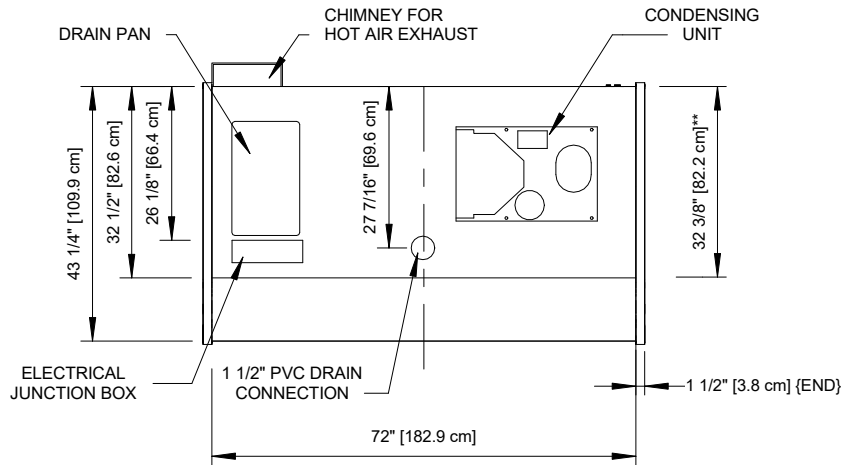
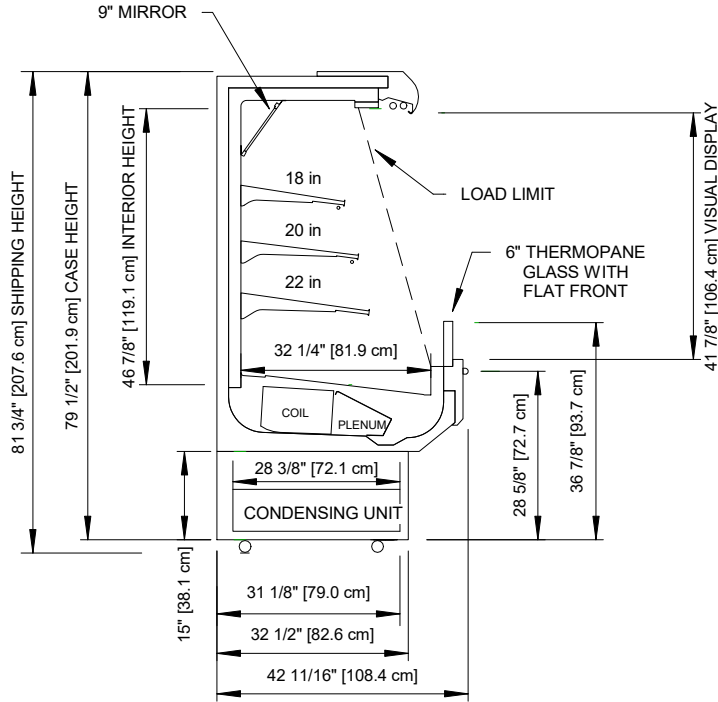


COMPONENT

ALL MEASUREMENTS ARE TAKEN PER ASHRAE-72-2005 SPECIFICATIONS. HILLPHOENIX REFRIGERATED DISPLAY CASES FOR SALE IN THE UNITED STATES MEET OR EXCEED DEPARTMENT OF ENERGY 2017 REQUIREMENTS.

OHMA-NRG

Rev Date:	Rev #	Revision Description:
9-19-18	3	DATA UPDATE
8-7-18	2	NEW STANDARDS



COMPONENT

ALL MEASUREMENTS ARE TAKEN PER ASHRAE-72-2005 SPECIFICATIONS. HILLPHOENIX REFRIGERATED DISPLAY CASES FOR SALE IN THE UNITED STATES MEET OR EXCEED DEPARTMENT OF ENERGY 2017 REQUIREMENTS.

OHMA-NRG

Rev Date:	Rev #	Revision Description:
9-19-18	3	DATA UPDATE
8-7-18	2	NEW STANDARDS