

REFERENCE NOTES FOR ENGINEERING DATA

- Listed discharge air velocity represents the average velocity at the peak of defrost.
- Temperature and defrost settings listed below are recommended start-up settings. Final operational settings may need to be adjusted for the store conditions in which the case operates.
- LED lights only.
- Maximum of 3 rows of Standard Output LED lighted shelves.
- 3rd row or nose lights are not available.
- 2 rows of standard or 1 row of cornice high output LED lights only.
- 6" thermopane front required.

REFERENCE NOTES FOR CROSS SECTIONS

- * : STUB-UP AREA
- ** : RECOMMENDED STUP-UP CENTERLINE FOR ELECTRICAL AND HUB DRAINS

- Front sill height and overall case height varies with base frame height
- Ends add approximately 1" to case height, 1/2" to the back & 1" to the front
- Wiring to the top adds approximately 4" to case height
- A 2" minimum air gap is required between the rear of the case and a wall
- Back panels add approximately 1" to the rear of the case
- Available shelf sizes: 18", 20" & 22"
- Dashed line signify area inside base rail behind kick plate
- Casters add approximately 2 1/4" to case height



ALL MEASUREMENTS ARE TAKEN PER ASHRAE-72-2005 SPECIFICATIONS. HILLPHOENIX REFRIGERATED DISPLAY CASES FOR SALE IN THE UNITED STATES MEET OR EXCEED DEPARTMENT OF ENERGY 2017 REQUIREMENTS.

OHMA-NRG

Rev Date:	Rev #	Revision Description:
10-27-17	1	DOE 2017

LIGHTING DATA					
Lights Per Row	Light Length	Clearvoyant v4 LED Lighting (Per Light Row)			
		Standard Power (Cornice or Shelf)		High Power (Cornice Only)	
		120 Volts		120 Volts	
		Amps	Watts	Amps	Watts
2	3'	0.08	9.4	0.20	23.8

SYSTEM REQUIREMENTS				
Volts	Phase	Frequency (Hz)	Plug Style	Cord Length
208	1	60	NEMA L14-30P	120"

GUIDELINES AND CONTROL SETTINGS				
24 hour Energy Usage	Suction Pressure @ Case Outlet (psig).	Superheat Set Point @ Bulb	Discharge Air	Discharge Air Velocity
47.6 (kWh)	52-54	6-8 °F	30.0 °F	210 FPM

CONDENSING UNIT DATA							
Volts	Phase	Frequency (Hz)	Horsepower	Running Load Amps (RLA) (Amps)	Locked Rotor Amps (LRA) (Amps)	Refrigerant	Lbs. of Refrigerant
208	1	60	1 1/4	9.2	54.0	R404A	5.5

DEFROST CONTROLS		
Defrosts Per Day	Timed-Off Defrost	
	Fail-Safe (Min)	Termination Temp
6	30 (Min)	42 °F

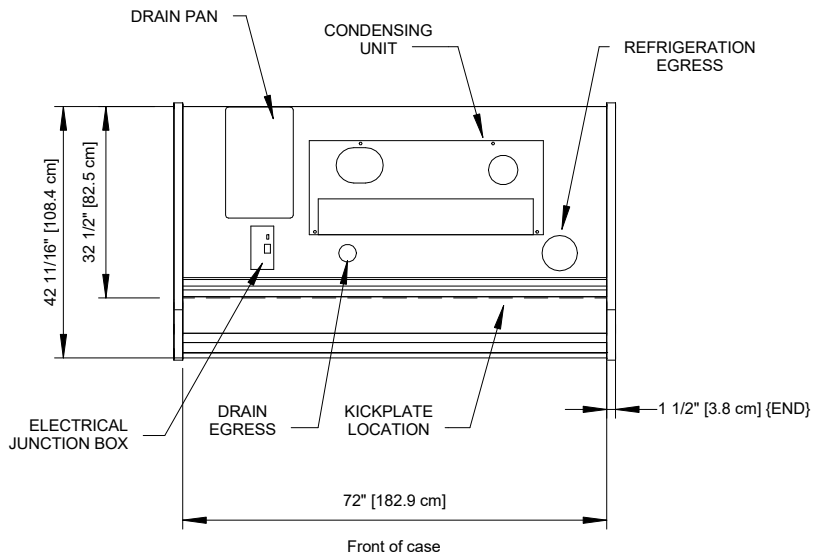
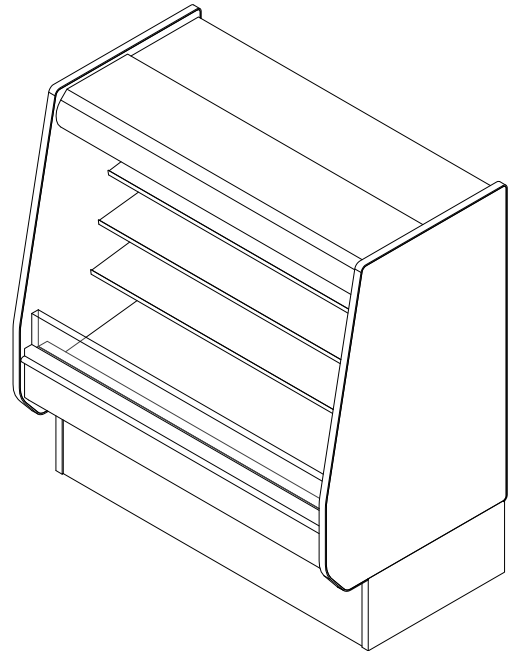
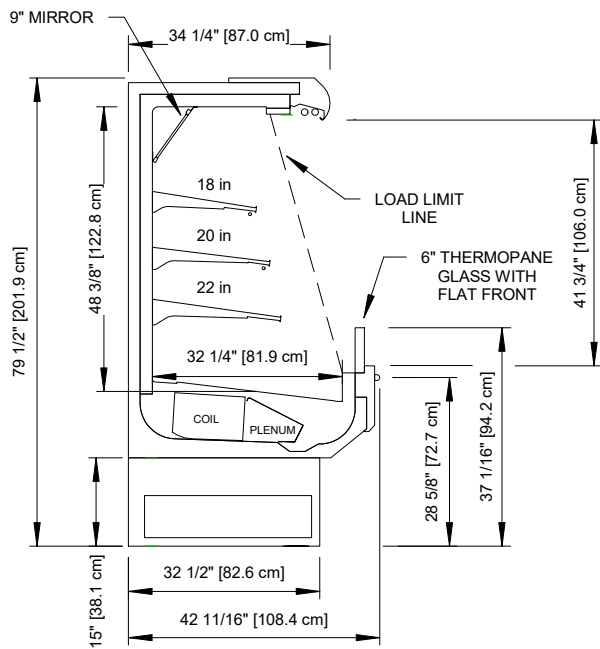


OHMA-NRG

ALL MEASUREMENTS ARE TAKEN PER ASHRAE-72-2005 SPECIFICATIONS. HILLPHOENIX REFRIGERATED DISPLAY CASES FOR SALE IN THE UNITED STATES MEET OR EXCEED DEPARTMENT OF ENERGY 2017 REQUIREMENTS.

Rev Date:	Rev #	Revision Description:
10-27-17	1	DOE 2017





ALL MEASUREMENTS ARE TAKEN PER ASHRAE-72-2005 SPECIFICATIONS. HILLPHOENIX REFRIGERATED DISPLAY CASES FOR SALE IN THE UNITED STATES MEET OR EXCEED DEPARTMENT OF ENERGY 2017 REQUIREMENTS.

OHMA 6'

Rev Date:	Rev #	Revision Description:
10-27-17	1	DOE 2017

