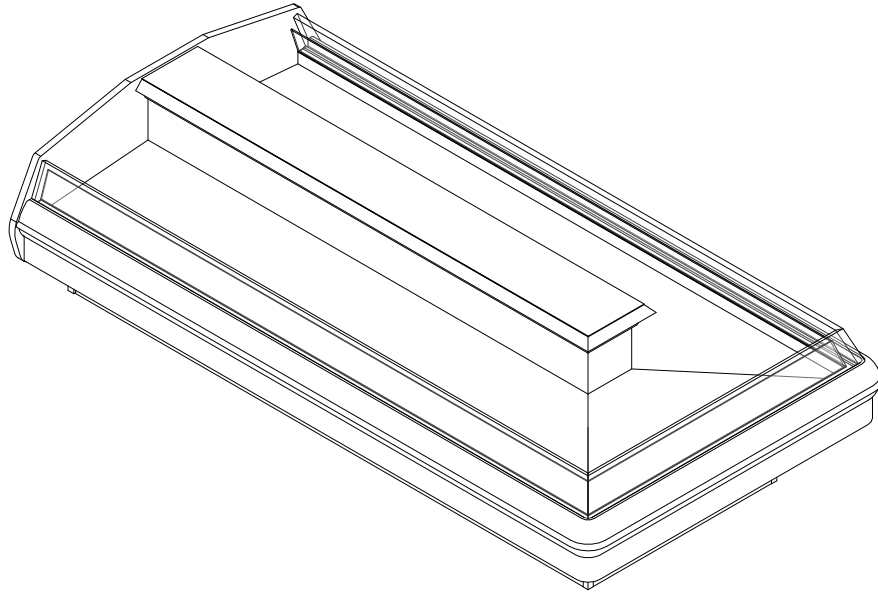


## GENERAL NOTES

- "---" indicates that the feature is not an option on this case model and/or the data is not yet available.
- LED lights only



SHIPPING WEIGHT	
Case	Weight
OIMB	---



ALL MEASUREMENTS ARE TAKEN PER ASHRAE-72-2005 SPECIFICATIONS. HILLPHOENIX REFRIGERATED DISPLAY CASES FOR SALE IN THE UNITED STATES MEET OR EXCEED DEPARTMENT OF ENERGY 2017 REQUIREMENTS.

## OIMB

Rev Date:	Rev #	Revision Description:
8-2-18	2	NEW STANDARDS
12-1-17	1	DOE 2017

ELECTRICAL DATA									
Case Length	Fans Per Case	High Efficiency Fans		Anti-Condensate Heater		Defrost Heaters			
		120 Volts		120 Volts		208 Volts		240 Volts	
		Amps	Watts	Amps	Watts	Amps	Watts	Amps	Watts
6'	4	0.60	44.0	0.57	68.0	3.25	676	3.75	900
8'	6	0.90	66.0	0.82	98.0	4.34	902	5.00	1200
12'	8	1.20	88.0	1.08	130.0	7.22	1502	8.33	2000

LIGHTING DATA							
Case Length	Shelf Depth	Lights Per Row	Light Length	Clearvoyant v4 LED Lighting (Per Light Row)			
				Standard Power (Cornice or Shelf)		High Power (Cornice)	
				120 Volts		120 Volts	
				Amps	Watts	Amps	Watts
8'	Super Structure	2	2 (5ft)	0.13	15.1	0.31	36.9
12'	Super Structure	4	2 (4ft), 2 (5ft)	0.22	26.8	0.56	66.8

GUIDELINES AND CONTROL SETTINGS						
Application	BTUH / ft		Superheat Set Point @ Bulb (°F)	Evaporator (°F)	Discharge Air (F°)	Discharge Air Velocity (FPM)
	Conventional	Parallel				
Meat	762	706	6 - 8	12	26	140
Deli	535	496	6 - 8	17	28	140

DEFROST CONTROLS							
Defrosts Per Day	Run - Off Time (Min)	Electric Defrost		Timed-Off Defrost		Hot Gas Defrost	
		Fail Safe (Min)	Termination Temp (°F)	Fail Safe (Min)	Termination Temp (°F)	Fail Safe (Min)	Termination Temp (°F)
3	6 - 8	40	47	45	47	26	45

## NOTES

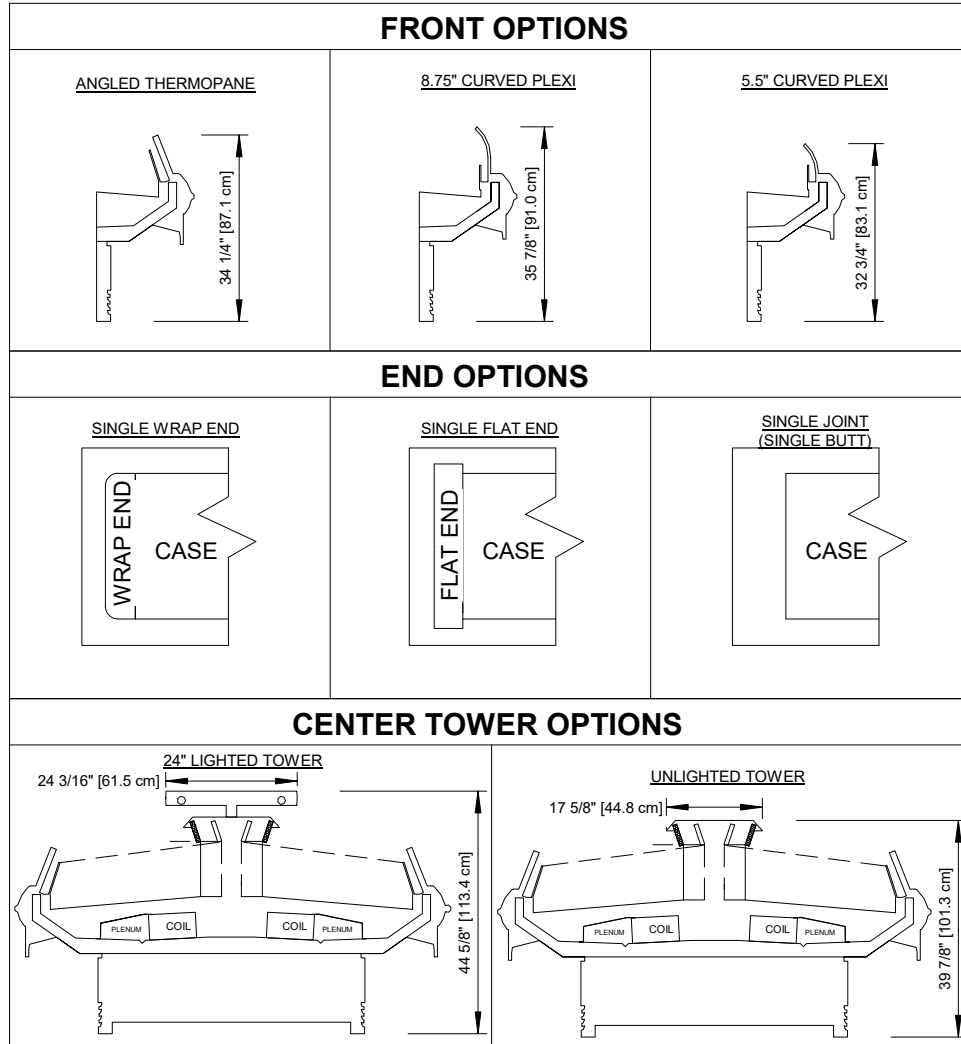
- "---" indicates that the feature is not an option on this case model and/or the data is not yet available.
- Listed LED lighting values represent a full row of superstructure (including wrap-around end).
- Load data represents the sum of both coils.
- For each wrap-around end, the listed BTUH load must be increased by 400 BTUH for meat applications, and 250 BTUH for deli applications.
- For aftermarket merchandising accessories, reduce the listed evaporator temperature by 2°F.
- BTUH load increases by 132 BTUH/ft when aftermarket merchandising accessories are utilized.
- Listed discharge air velocity represents the average velocity at the peak of defrost.
- Temperature and defrost settings listed above are recommended start-up settings. Final operational settings may need to be adjusted for the store conditions in which the case operates.
- The recommended evaporator temperatures may need to be adjusted based on system setup, store conditions, etc. The minimum recommended evaporator temperature is 4°F below the listed evaporator temperature.



ALL MEASUREMENTS ARE TAKEN PER ASHRAE-72-2005 SPECIFICATIONS. HILLPHOENIX REFRIGERATED DISPLAY CASES FOR SALE IN THE UNITED STATES MEET OR EXCEED DEPARTMENT OF ENERGY 2017 REQUIREMENTS.

## OIMB

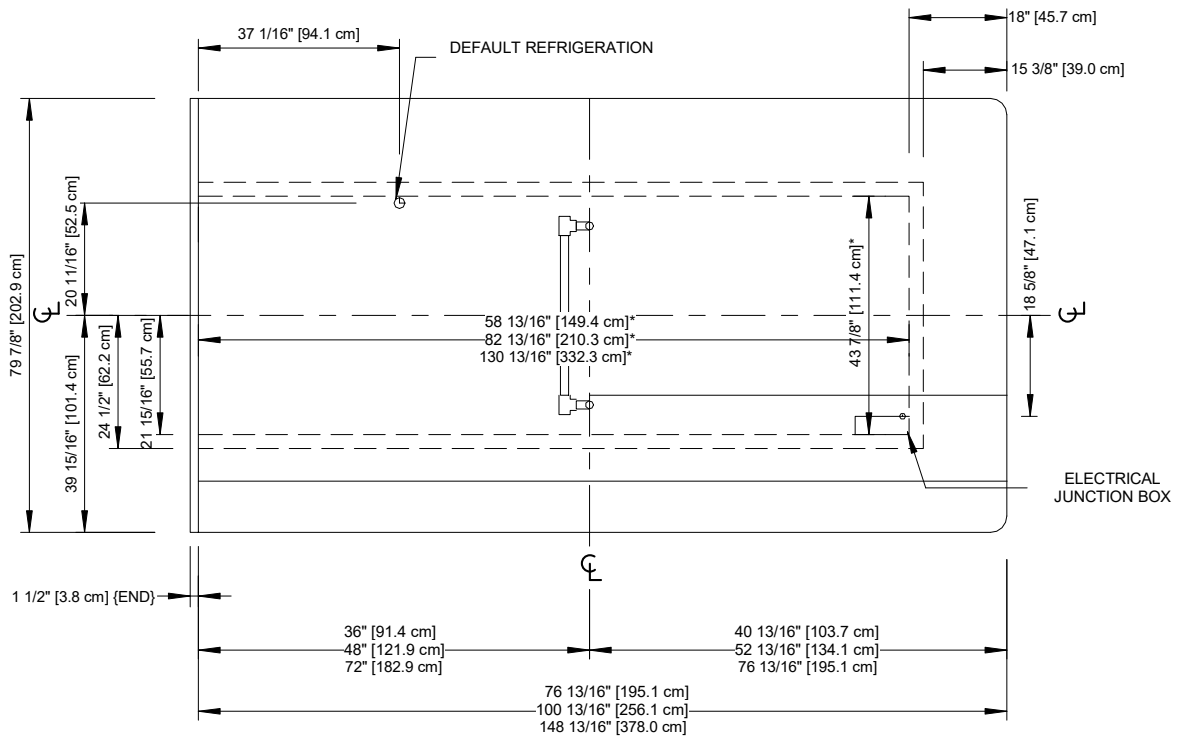
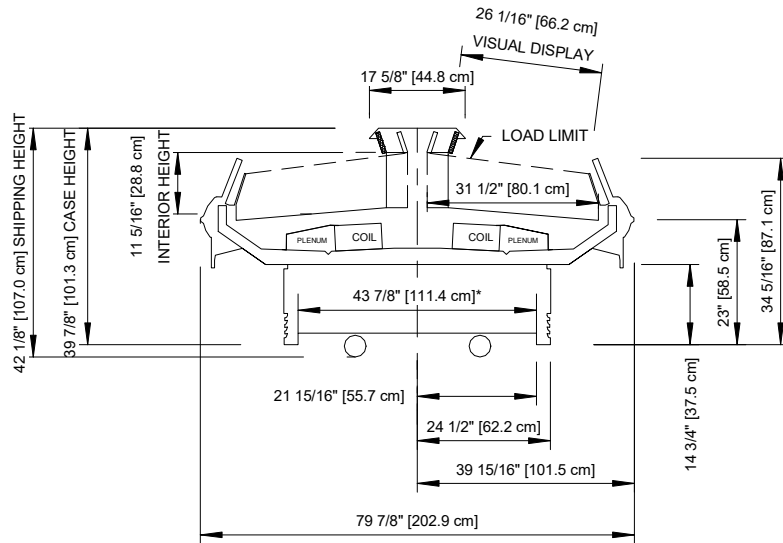
Rev Date:	Rev #	Revision Description:
8-2-18	2	NEW STANDARDS
12-1-17	1	DOE 2017



2017 DOE COMPLIANT COMPONENT  
ALL MEASUREMENTS ARE TAKEN PER ASHRAE-72-2005 SPECIFICATIONS. HILLPHOENIX REFRIGERATED DISPLAY CASES FOR SALE IN THE UNITED STATES MEET OR EXCEED DEPARTMENT OF ENERGY 2017 REQUIREMENTS.

## OIMB

Rev Date:	Rev #	Revision Description:
8-2-18	2	NEW STANDARDS
12-1-17	1	DOE 2017



### NOTES

\* : STUB-UP AREA

- Front and center sill heights vary with base frame height.



ALL MEASUREMENTS ARE TAKEN PER ASHRAE-72-2005 SPECIFICATIONS. HILLPHOENIX REFRIGERATED DISPLAY CASES FOR SALE IN THE UNITED STATES MEET OR EXCEED DEPARTMENT OF ENERGY 2017 REQUIREMENTS.

### OIMB

Rev Date:	Rev #	Revision Description:
8-2-18	2	NEW STANDARDS
12-1-17	1	DOE 2017