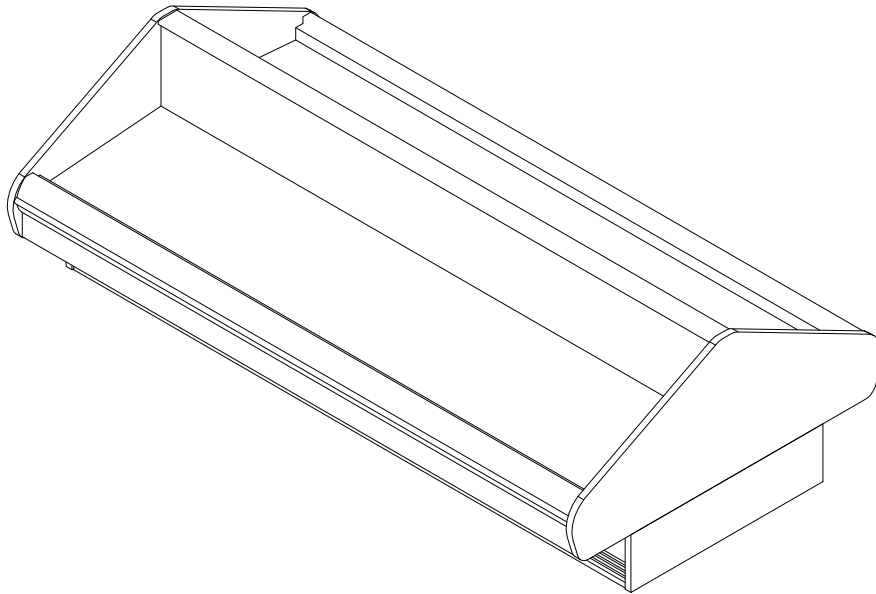


OIPBB

Wide Single Deck Island Merchandiser
8' & 12' (Bulk Produce) Wide Double Joint Ends

GENERAL NOTES

- "---" indicates that the feature is not an option on this case model and/or the data is not yet available.



SHIPPING WEIGHT	
Case	Weight
OIPBB	---



ALL MEASUREMENTS ARE TAKEN PER ASHRAE-72-2005 SPECIFICATIONS. HILLPHOENIX REFRIGERATED DISPLAY CASES FOR SALE IN THE UNITED STATES MEET OR EXCEED DEPARTMENT OF ENERGY 2017 REQUIREMENTS.

OIPBB

Rev Date:	Rev #	Revision Description:
7-17-18	2	NEW STANDARDS
12-1-17	1	DOE 2017

Hillphoenix
A DOWDY COMPANY

OIPBB

Wide Single Deck Island Merchandiser
8' & 12' (Bulk Produce) Wide Double Joint Ends

ELECTRICAL DATA					
Case Length	Fans Per Case	High Efficiency Fans		Anti-Condensate Heater	
		120 Volts		120 Volts	
		Amps	Watts	Amps	Watts
8'	6	0.90	66.0	0.84	101.0
12'	8	1.20	88.0	1.26	151.0

GUIDLINES AND CONTROL SETTINGS						
Application	BTUH / ft		Superheat Set Point @ Bulb (°F)	Evaporator (°F)	Discharge Air (F°)	Discharge Air Velocity (FPM)
	Conventional	Parallel				
Bulk Produce	631	586	6 - 8	22	34	140

DEFROST CONTROLS			
Defrosts Per Day	Run - Off Time (Min)	Timed - Off Defrost	
		Fail Safe (Min)	Termination Temp (°F)
3	6 - 8	44	38

NOTES

- "----" indicates that the feature is not an option on this case model and/or the data is not yet available.
- Add 600 BTUHs per wrap-around end.
- Load data represents the sum of both coils.
- BTUH load increases by 132 BTUH/ft when aftermarket merchandising accessories are utilized.
- Listed discharge air velocity represents the average velocity at the peak of defrost.
- Temperature and defrost settings listed above are recommended start-up settings. Final operational settings may need to be adjusted for the store conditions in which the case operates.
- The recommended evaporator temperatures may need to be adjusted based on system setup, store conditions, etc. The minimum recommended evaporator temperature is 4°F below the listed evaporator temperature.

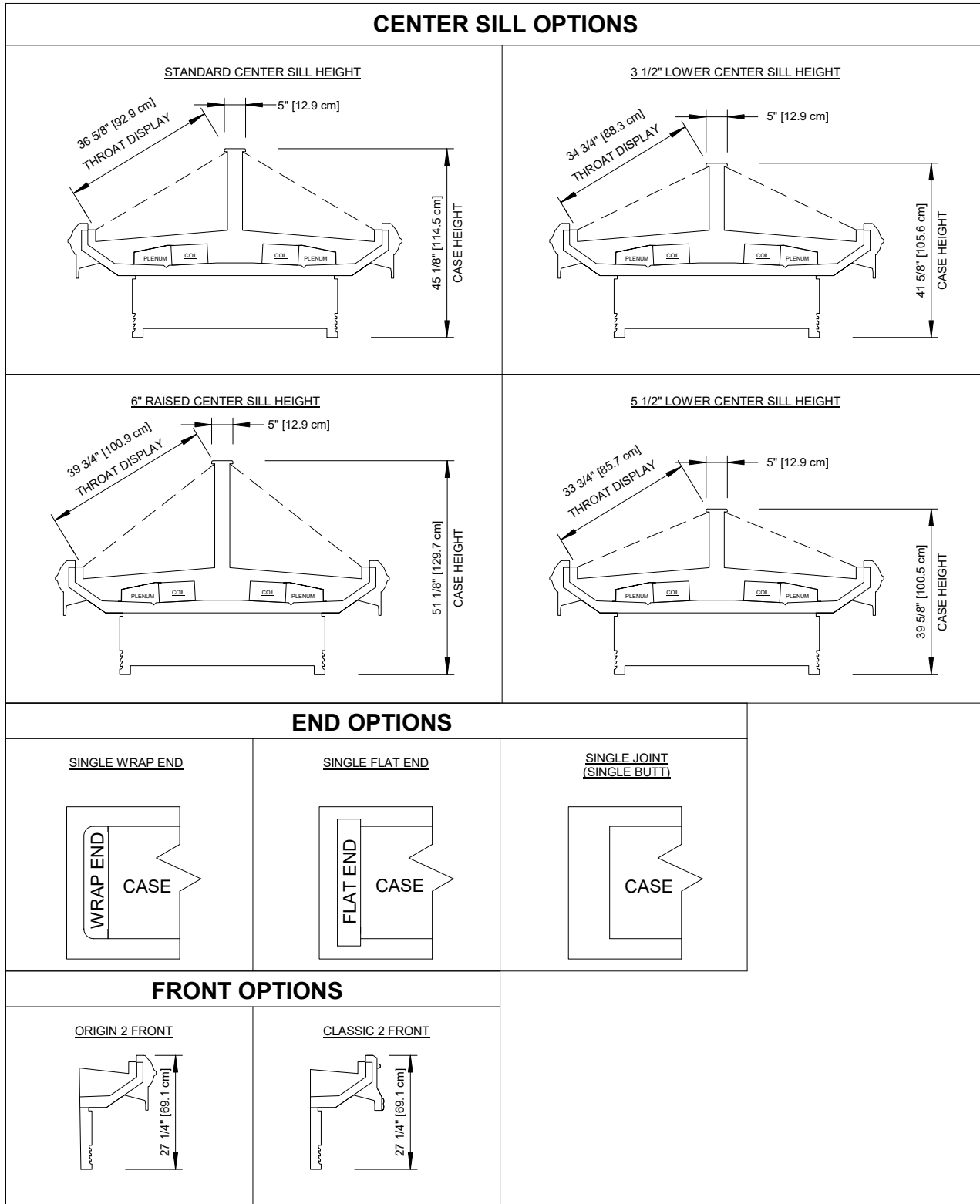


ALL MEASUREMENTS ARE TAKEN PER ASHRAE-72-2005 SPECIFICATIONS. HILLPHOENIX REFRIGERATED DISPLAY CASES FOR SALE IN THE UNITED STATES MEET OR EXCEED DEPARTMENT OF ENERGY 2017 REQUIREMENTS.

OIPBB

Rev Date:	Rev #	Revision Description:
7-17-18	2	NEW STANDARDS
12-1-17	1	DOE 2017

Hillphoenix
A BOWEN COMPANY

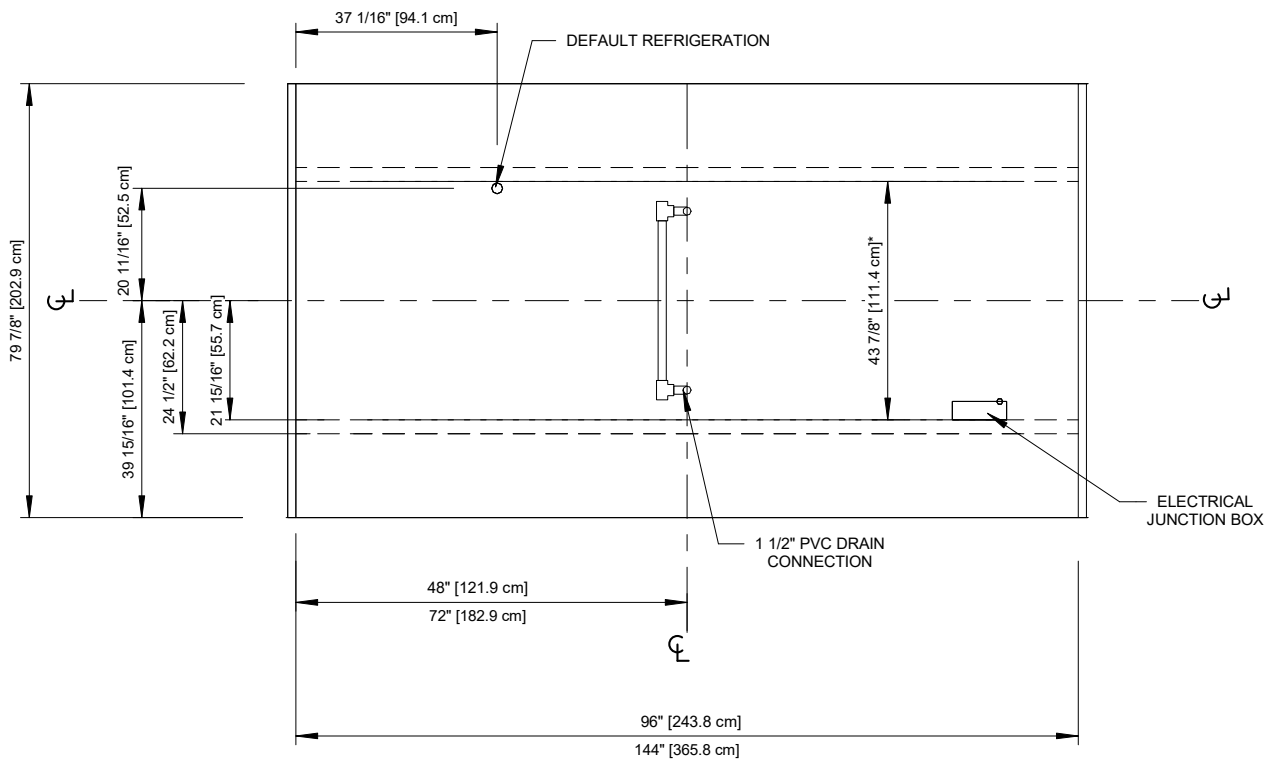
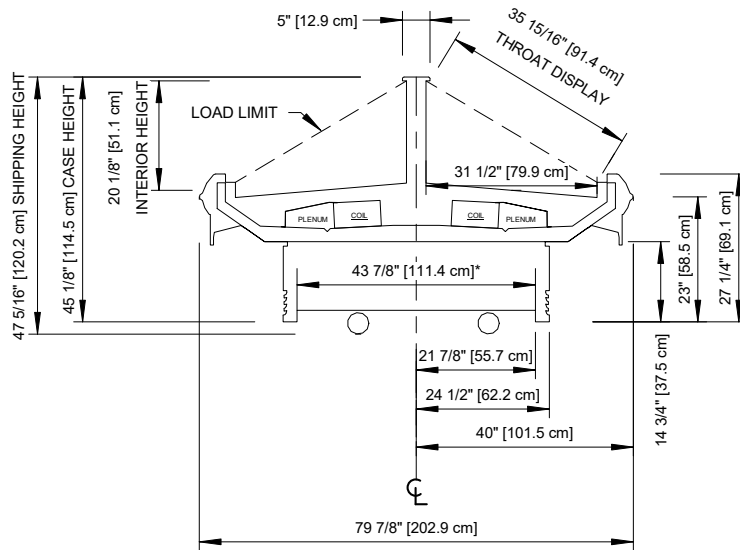


ALL MEASUREMENTS ARE TAKEN PER ASHRAE-72-2005 SPECIFICATIONS. HILLPHOENIX REFRIGERATED DISPLAY CASES FOR SALE IN THE UNITED STATES MEET OR EXCEED DEPARTMENT OF ENERGY 2017 REQUIREMENTS.

OIPBB

Rev Date:	Rev #	Revision Description:
7-17-18	2	NEW STANDARDS
12-1-17	1	DOE 2017





NOTES

* : STUB-UP AREA

- Front and center sill heights vary with base frame height.



OIPBB

ALL MEASUREMENTS ARE TAKEN PER ASHRAE-72-2005 SPECIFICATIONS. HILLPHOENIX REFRIGERATED DISPLAY CASES FOR SALE IN THE UNITED STATES MEET OR EXCEED DEPARTMENT OF ENERGY 2017 REQUIREMENTS.

Rev Date:	Rev #	Revision Description:
7-17-18	2	NEW STANDARDS
12-1-17	1	DOE 2017