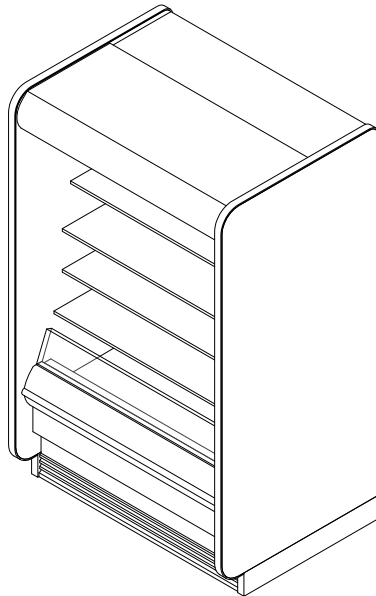


### REFERENCE NOTES FOR ENGINEERING DATA

- BTUH/ft notes:
  - Listed BTUH/ft data represent unlighted shelves. For LED lighting, add 9 BTUH/ft per row of lighted shelving. For T8 lighted shelves, see Hillphoenix Bluebook Appendix D for BTUH, amp and watt data.
  - BTUH load increases by 132 BTUH/ft when aftermarket merchandising accessories are utilized.
- Listed evaporator temperature represents unlighted shelves. For lighted shelves and/or aftermarket merchandising accessories, reduce the listed evaporator temperature by 2°F.
- Conventional Discharge Air Control – Recommended Settings: Cut-In Temp = Discharge Air + 2°F; Cut-Out Temp = Discharge Air - 2°F.
- Listed discharge air velocity represents the average velocity at the peak of defrost.
- Temperature and defrost settings listed above are recommended start-up settings. Final operational settings may need to be adjusted for the store conditions in which the case operates.
- The recommended evaporator temperatures may need to be adjusted based on system setup, store conditions, etc. The minimum recommended evaporator temperature is 4°F below the listed evaporator temperature.

### REFERENCE NOTES FOR CROSS SECTIONS

- \* : STUB-UP AREA
- \*\* : RECOMMENDED STUP-UP CENTERLINE FOR ELECTRICAL AND DRAINS
- FRONT SILL HEIGHT AND OVERALL CASE HEIGHT VARIES WITH BASE FRAME HEIGHT
- ENDS ADD APPROXIMATELY 1" TO CASE HEIGHT, 1/2" TO THE BACK & 1" TO THE FRONT
- WIRING TO THE TOP ADDS APPROXIMATELY 4 " TO CASE HEIGHT
- A 2" MINIMUM AIR GAP IS REQUIRED BETWEEN THE REAR OF THE CASE AND A WALL
- AVAILABLE SHELF SIZES: 10", 12", 14", 16", 18", 20", 22" & 24"
- DASHED LINES SIGNIFY AREA INSIDE BASE RAIL BEHIND KICK PLATE



COMPONENT

ALL MEASUREMENTS ARE TAKEN PER ASHRAE-72-2005 SPECIFICATIONS. HILLPHOENIX REFRIGERATED DISPLAY CASES FOR SALE IN THE UNITED STATES MEET OR EXCEED DEPARTMENT OF ENERGY 2017 EFFICIENCY REQUIREMENTS.

### ON5MX-NRG

Rev Date:	Rev #	Revision Description:
4/5/2017	1	DOE 2017

# ON5MX-NRG

High Multi-Deck Merchandiser with Synerg-E™  
4', 6', 8' & 12' (Deli / Meat)

ELECTRICAL DATA			
Case Length	Fans Per Case	High Efficiency Fans	
		120 Volts	
		Amps	Watts
4'	2	0.46	36.0
6'	4	0.95	70.0
8'	4	0.94	70.0
12'	6	1.40	106.0

LIGHTING DATA						
Case Length	Lights Per Row	Light Length	Clearvoyant v4 LED Lighting (Per Light Row)			
			Standard Power (Cornice or Shelf)		High Power (Cornice)	
			120 Volts		120 Volts	
			Amps	Watts	Amps	Watts
4'	1	4'	0.05	5.9	0.12	14.9
6'	2	3'	0.08	9.4	0.20	23.8
8'	2	4'	0.10	11.8	0.25	29.9
12'	3	4'	0.15	17.6	0.37	44.8

GUIDELINES AND CONTROL SETTINGS					
BTUH/ft		Superheat Set Point @ Bulb (°F)	Evaporator (°F)	Discharge Air (°F)	Discharge Air Velocity (FPM)
Conventional	Parallel				
1486	1300	6-8 °F	26 °F	30 °F	240 FPM

DEFROST CONTROLS		
Defrosts Per Day	Timed-Off Defrost	
	Fail-Safe (Min)	Termination Temp
6	40 (Min)	42 °F



COMPONENT

ALL MEASUREMENTS ARE TAKEN PER ASHRAE-72-2005 SPECIFICATIONS. HILLPHOENIX REFRIGERATED DISPLAY CASES FOR SALE IN THE UNITED STATES MEET OR EXCEED DEPARTMENT OF ENERGY 2017 EFFICIENCY REQUIREMENTS.

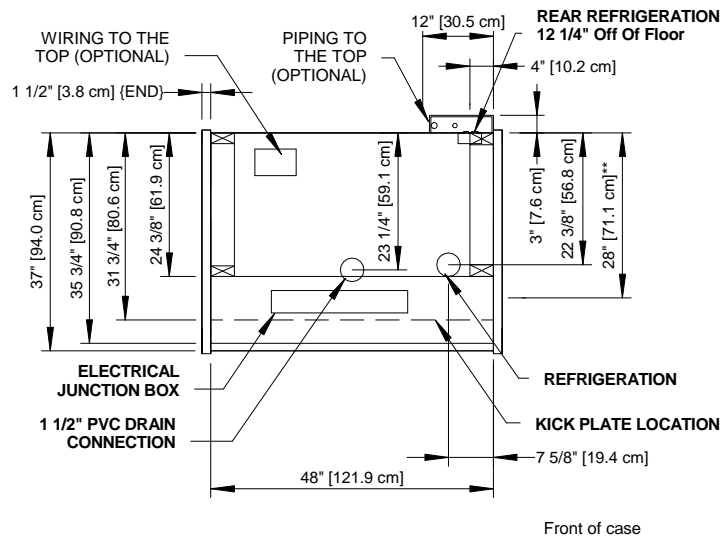
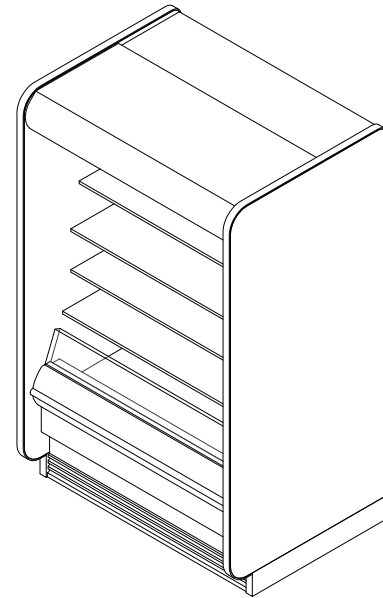
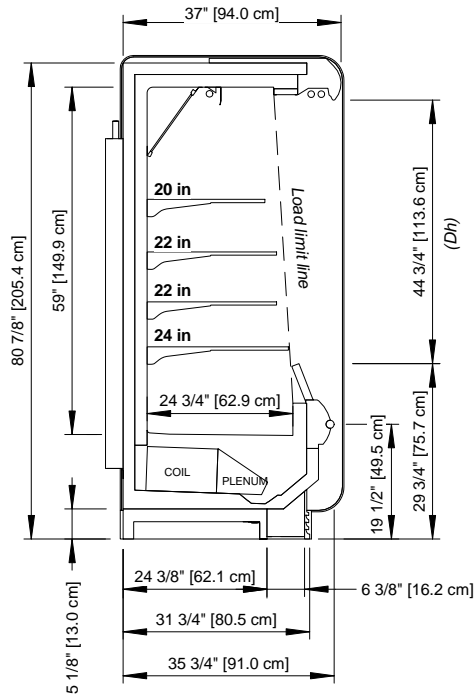
## ON5MX-NRG

Rev Date:	Rev #	Revision Description:
4/5/2017	1	DOE 2017

**Hillphoenix**  
A DOVER COMPANY

# ON5MX-NRG

High Multi-Deck Merchandiser with Synerg-E™  
4', 6', 8' & 12' (Deli / Meat)



COMPONENT

ALL MEASUREMENTS ARE TAKEN PER ASHRAE-72-2005 SPECIFICATIONS. HILLPHOENIX REFRIGERATED DISPLAY CASES FOR SALE IN THE UNITED STATES MEET OR EXCEED DEPARTMENT OF ENERGY 2017 REQUIREMENTS.

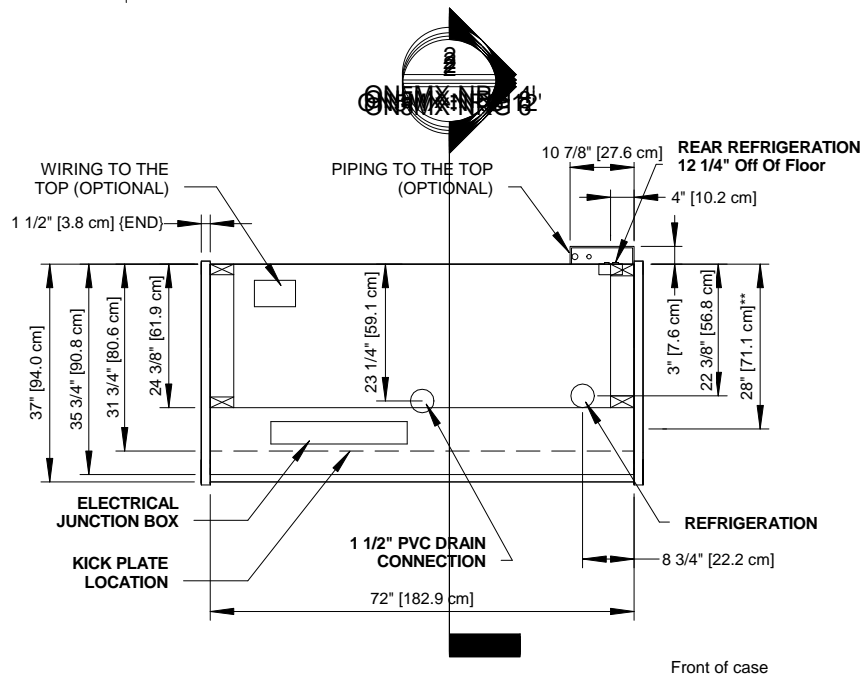
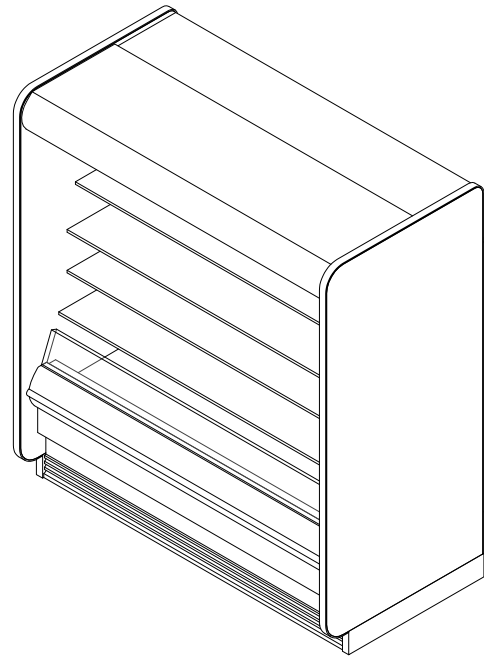
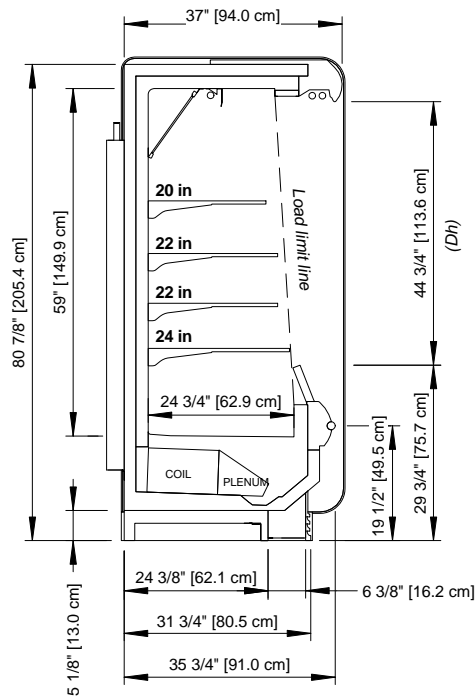
## ON5MX-NRG 4'

Rev Date:	Rev #	Revision Description:
4/5/2017	1	DOE 2017

**Hillphoenix**  
A DOWER COMPANY

# ON5MX-NRG

High Multi-Deck Merchandiser with Synerg-E™  
4', 6', 8' & 12' (Deli / Meat)



Front of case



COMPONENT

ALL MEASUREMENTS ARE TAKEN PER ASHRAE-72-2005 SPECIFICATIONS. HILLPHOENIX REFRIGERATED DISPLAY CASES FOR SALE IN THE UNITED STATES MEET OR EXCEED DEPARTMENT OF ENERGY 2017 REQUIREMENTS.

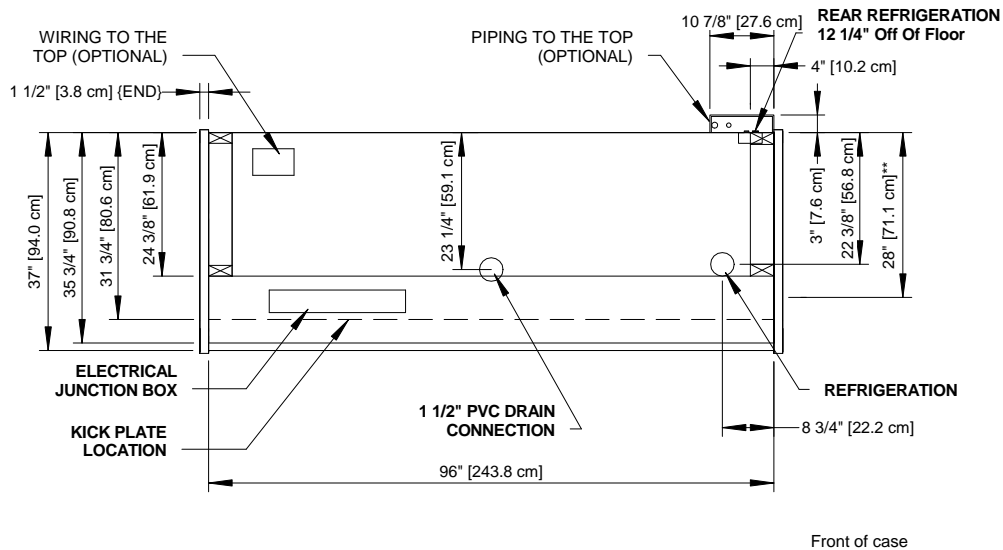
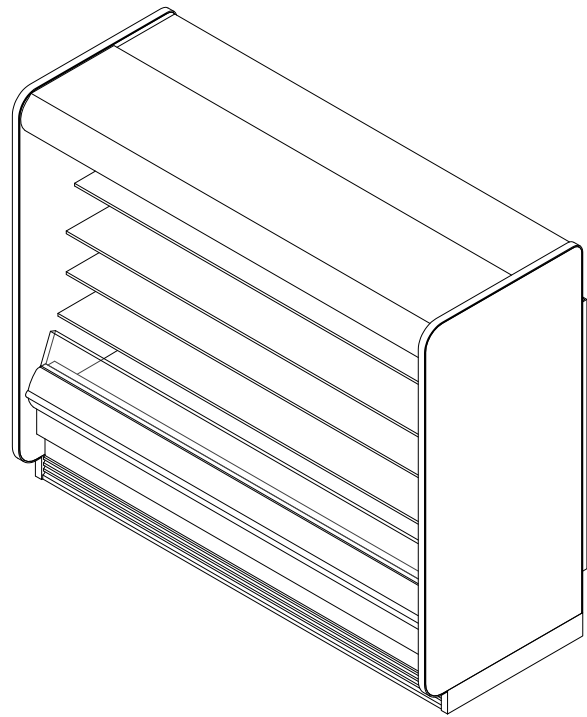
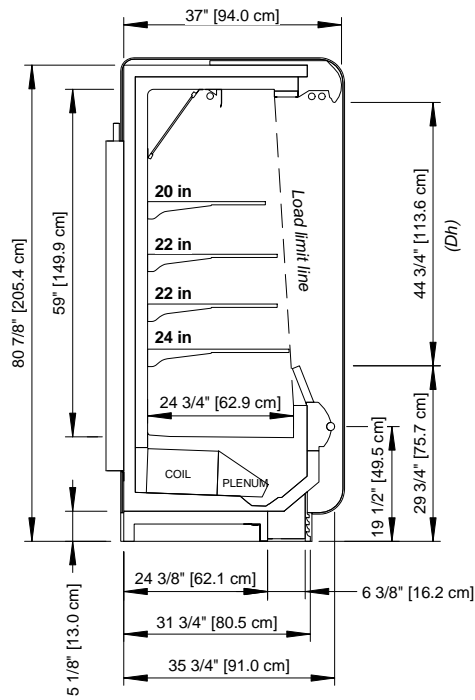
## ON5MX-NRG 6'

Rev Date:	Rev #	Revision Description:
4/5/2017	1	DOE 2017



# ON5MX-NRG

High Multi-Deck Merchandiser with Synerg-E™  
4', 6', 8' & 12' (Deli / Meat)



COMPONENT

ALL MEASUREMENTS ARE TAKEN PER ASHRAE-72-2005 SPECIFICATIONS. HILLPHOENIX REFRIGERATED DISPLAY CASES FOR SALE IN THE UNITED STATES MEET OR EXCEED DEPARTMENT OF ENERGY 2017 REQUIREMENTS.

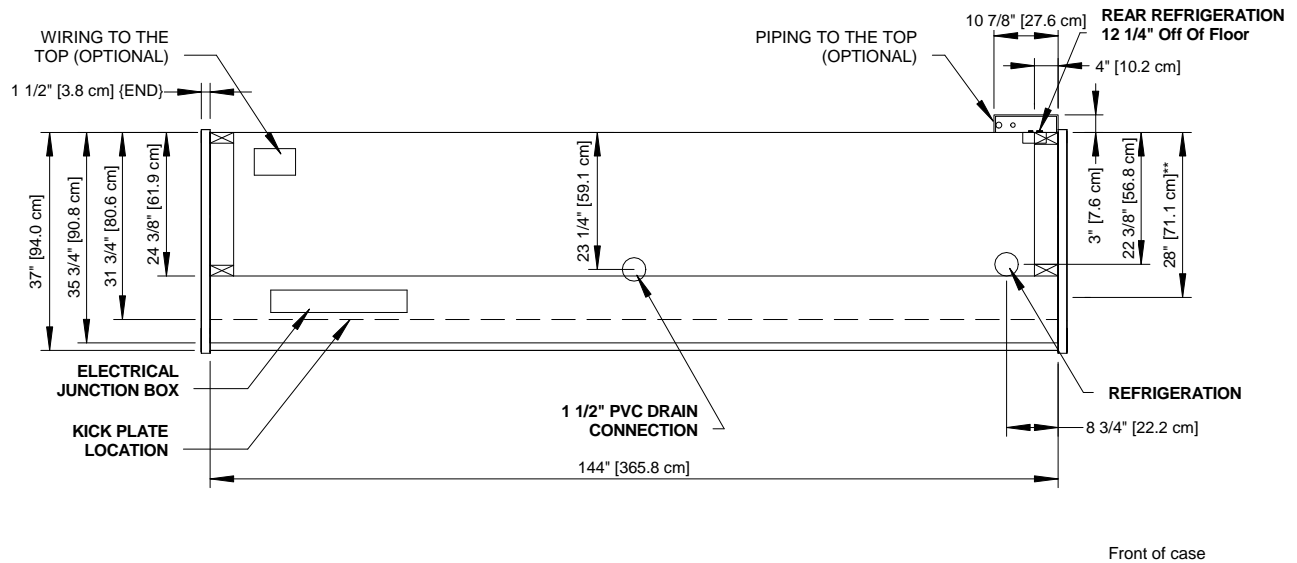
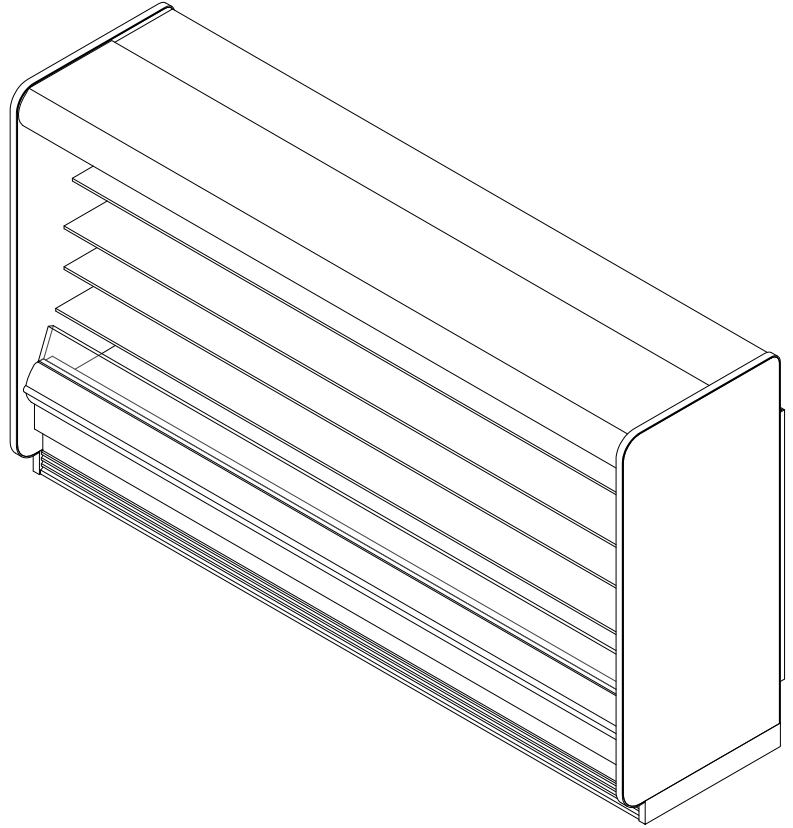
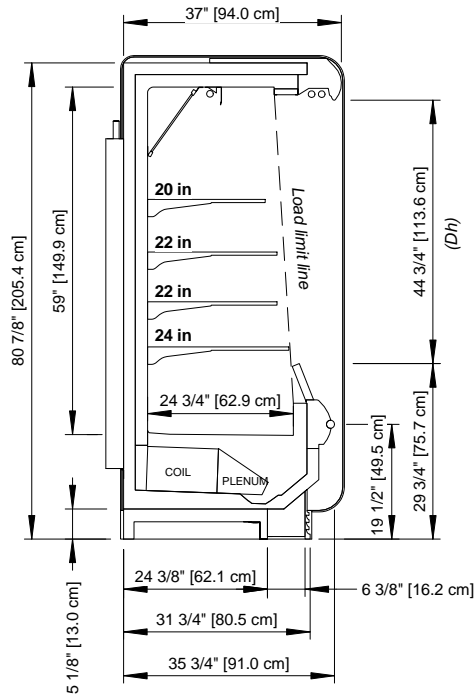
## ON5MX-NRG 8'

Rev Date:	Rev #	Revision Description:
4/5/2017	1	DOE 2017



# ON5MX-NRG

High Multi-Deck Merchandiser with Synerg-E™  
4', 6', 8' & 12' (Deli / Meat)



COMPONENT

ALL MEASUREMENTS ARE TAKEN PER ASHRAE-72-2005 SPECIFICATIONS. HILLPHOENIX REFRIGERATED DISPLAY CASES FOR SALE IN THE UNITED STATES MEET OR EXCEED DEPARTMENT OF ENERGY 2017 REQUIREMENTS.

## ON5MX-NRG 12'

Rev Date:	Rev #	Revision Description:
4/5/2017	1	DOE 2017

**Hillphoenix**  
A DOWER COMPANY