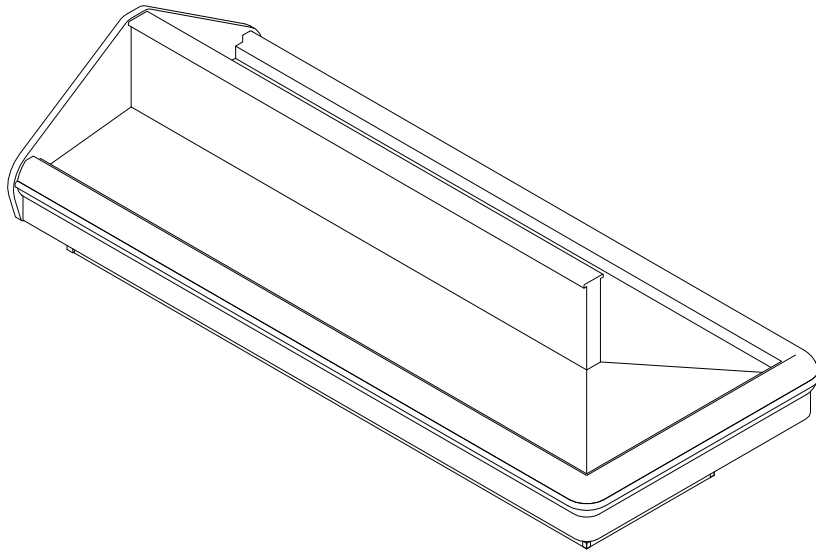


ONIPB

Narrow Single-Deck Island Merchandiser
6', 8', 10', & 12' (Bulk Produce) Narrow Single Wrap-Around End

GENERAL NOTES

- "---" indicates the feature is not an option for this model and/or the data is not yet available.



SHIPPING WEIGHT	
Case	Weight
ONIPB	---



ALL MEASUREMENTS ARE TAKEN PER ASHRAE-72-2005 SPECIFICATIONS. HILLPHOENIX REFRIGERATED DISPLAY CASES FOR SALE IN THE UNITED STATES MEET OR EXCEED DEPARTMENT OF ENERGY 2017 REQUIREMENTS.

ONIPB

Rev Date:	Rev #	Revision Description:
7-19-18	2	NEW STANDARDS
12-1-17	1	DOE 2017

Hillphoenix
A DOWDY COMPANY

ELECTRICAL DATA					
Case Length	Fans Per Case	High Efficiency Fans		Anti-Condensate Heater	
		120 Volts		120 Volts	
		Amps	Watts	Amps	Watts
6'	4	0.60	44.0	0.31	37.0
8'	6	0.90	66.0	0.46	55.0
10'	6	0.90	66.0	0.66	79.0
12'	8	1.20	88.0	0.78	94.0

GUIDELINES AND CONTROL SETTINGS						
Application	BTUH / ft		Superheat Set Point @ Bulb (°F)	Evaporator (°F)	Discharge Air (F°)	Discharge Air Velocity (FPM)
	Conventional	Parallel				
Bulk Produce	631	586	6 - 8	22	34	140

DEFROST CONTROLS			
Defrosts Per Day	Run-Off Time (Min)	Timed-Off Defrost	
		Fail-Safe (Min)	Termination Temp (°F)
3	6 - 8	44	38

NOTES

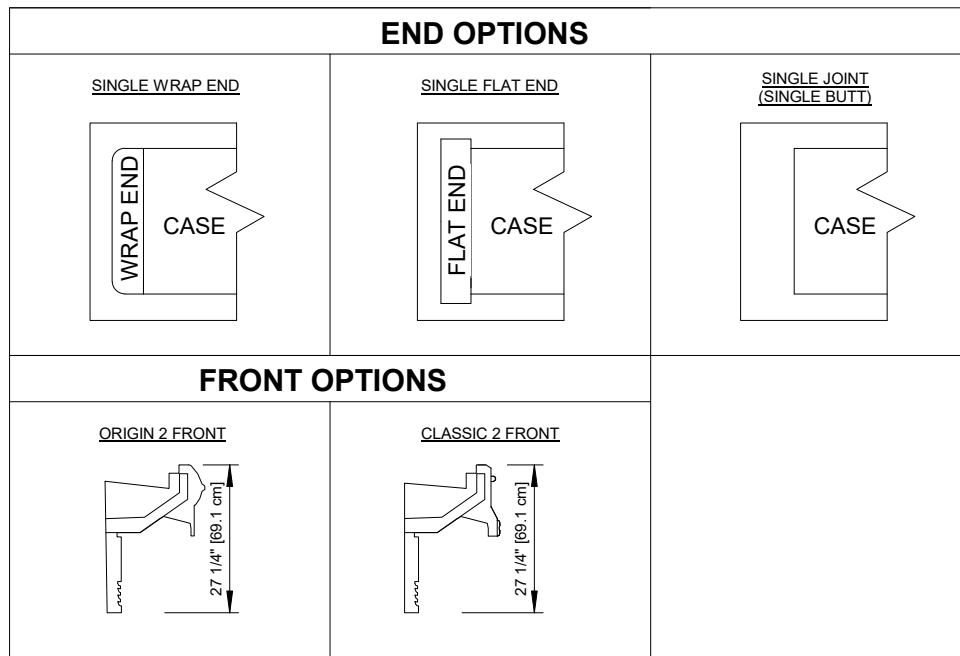
- "----" indicates the feature is not an option for this model and/or the data is not yet available.
- Load data represents the sum of both coils.
- Add 600 BTUH per wrap-around end.
- BTUH load increases by 132 BTUH/ft when aftermarket merchandising accessories are utilized.
- Listed discharge air velocity represents the average velocity at the peak of defrost.
- Temperature and defrost settings listed above are recommended start-up settings. Final operational settings may need to be adjusted for the store conditions in which the case operates.
- The recommended evaporator temperatures may need to be adjusted based on system setup, store conditions, etc. The minimum recommended evaporator temperature is 4°F below the listed evaporator temperature.



ALL MEASUREMENTS ARE TAKEN PER ASHRAE-72-2005 SPECIFICATIONS. HILLPHOENIX REFRIGERATED DISPLAY CASES FOR SALE IN THE UNITED STATES MEET OR EXCEED DEPARTMENT OF ENERGY 2017 REQUIREMENTS.

ONIPB

Rev Date:	Rev #	Revision Description:
7-19-18	2	NEW STANDARDS
12-1-17	1	DOE 2017

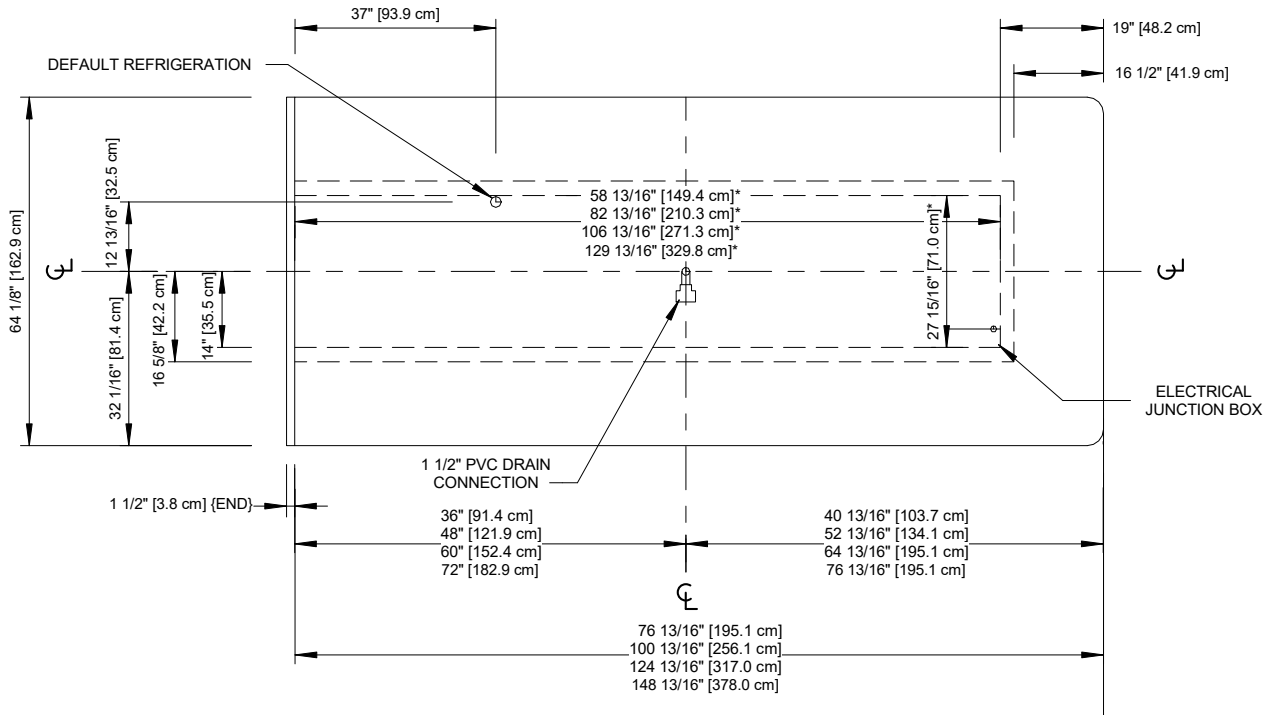
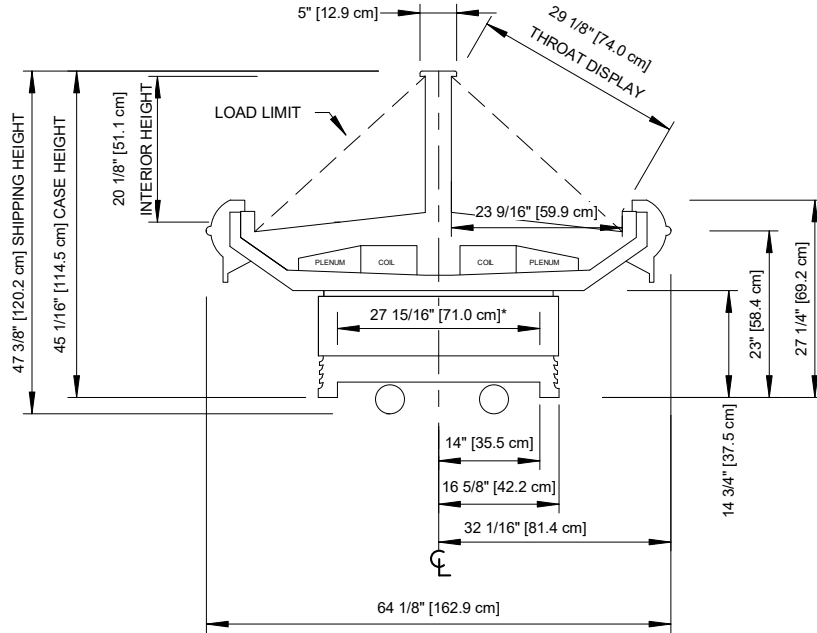


ALL MEASUREMENTS ARE TAKEN PER ASHRAE-72-2005 SPECIFICATIONS. HILLPHOENIX REFRIGERATED DISPLAY CASES FOR SALE IN THE UNITED STATES MEET OR EXCEED DEPARTMENT OF ENERGY 2017 REQUIREMENTS.

ONIPB

Rev Date:	Rev #	Revision Description:
7-19-18	2	NEW STANDARDS
12-1-17	1	DOE 2017





NOTES

* : STUB-UP AREA

- Front and overall case height vary with base frame height.



ALL MEASUREMENTS ARE TAKEN PER ASHRAE-72-2005 SPECIFICATIONS. HILLPHOENIX REFRIGERATED DISPLAY CASES FOR SALE IN THE UNITED STATES MEET OR EXCEED DEPARTMENT OF ENERGY 2017 REQUIREMENTS.

ONIPB

Rev Date:	Rev #	Revision Description:
7-19-18	2	NEW STANDARDS
12-1-17	1	DOE 2017

Hillphoenix
A BOWEN COMPANY