

## REFERENCE NOTES FOR ENGINEERING DATA

- "0.00" indicates that the feature is not an option on this case model
- Listed discharge air velocity represents the average velocity at the peak of defrost.
- Temperature and defrost settings listed below are recommended start-up settings.
- Final operational settings may need to be adjusted for the store conditions in which the case operates.

## REFERENCE NOTES FOR CROSS SECTIONS

- \* STUB-UP AREA:
- \*\* RECOMMENDED STUB-UP CENTER LINE FOR ELECTRICAL AND HUB DRAINS

- Dashed line signifies area inside base rail behind kickplate.
- Casters add approximately 2 1/4" to case height



ALL MEASUREMENTS ARE TAKEN PER  
ASHRAE-72-2005 SPECIFICATIONS. HILLPHOENIX  
REFRIGERATED DISPLAY CASES FOR SALE IN THE  
UNITED STATES MEET OR EXCEED DEPARTMENT OF  
ENERGY 2017 REQUIREMENTS.

## ONIZGGA

Rev Date:	Rev #	Revision Description:
4-11-17	1	DOE 2017

SYSTEM REQUIREMENTS						
Case Length	Volts	Phase	Frequency (Hz)	Plug	Minimum Circuit Ampacity	Maximum Overcurrent Protection
Open	208	1	60	NEMA L14-30	17.70	30

ELECTRICAL DATA							
Case Length	Fans Per Case	High Efficiency Fans		Anti-Condensate Heater		Evaporator Pan Heater	
		120 Volts		120 Volts		120 Volts	
		Amps	Watts	Amps	Watts	Amps	Watts
Open	2	0.38	46	1.74	209	4.35	500

GUIDELINES AND CONTROL SETTINGS					
Case Length	24 hr Energy Usage (kWh)	Suction Pressure @ Case Outlet (psig)	Super Heat Set Point @ Bulb (°F)	Discharge Air (°F)	Discharge Air Velocity (FPM)
Open	22.7	11 - 13	5	-16	225

CONDENSING UNIT DATA								
Case Length	Volts	Phase	Frequency (Hz)	Horsepower	Running Load Amps (RLA) (Amps)	Locked Rotor Amps (LRA) (Amps)	Refrigerant	Lbs. of Refrigerant
Open	208	1	60	3/4	9.0	43.0	R404A	6.00

DEFROST CONTROLS					
Application	Defrost Per Day	Electric Defrost		Timed - Off Defrost	
		Fail Safe (Min)	Termination Temp (°F)	Fail Safe (Min)	Termination Temp (°F)
		Open	2	75	50



ALL MEASUREMENTS ARE TAKEN PER ASHRAE-72-2005 SPECIFICATIONS. HILLPHOENIX REFRIGERATED DISPLAY CASES FOR SALE IN THE UNITED STATES MEET OR EXCEED DEPARTMENT OF ENERGY 2017 REQUIREMENTS.

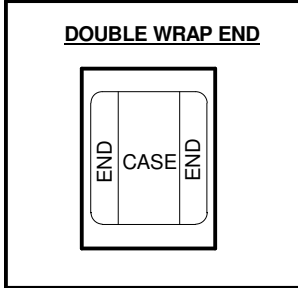
## ONIZGGA

Rev Date:	Rev #	Revision Description:
4-11-17	1	DOE 2017

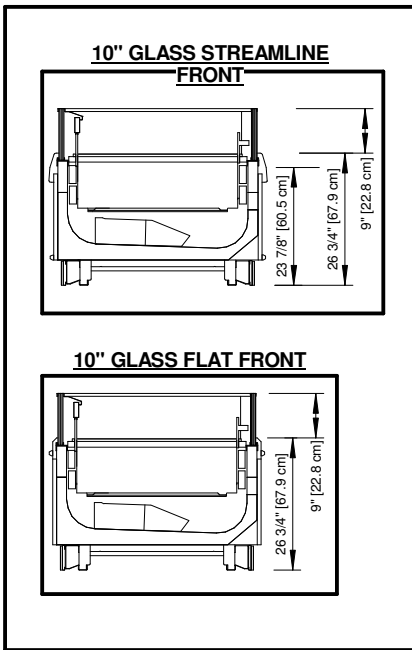
# ONIZGGA

Narrow Self-Contained Single-Deck Merchandiser  
5' & 6' (Frozen Food, Dual Temp)

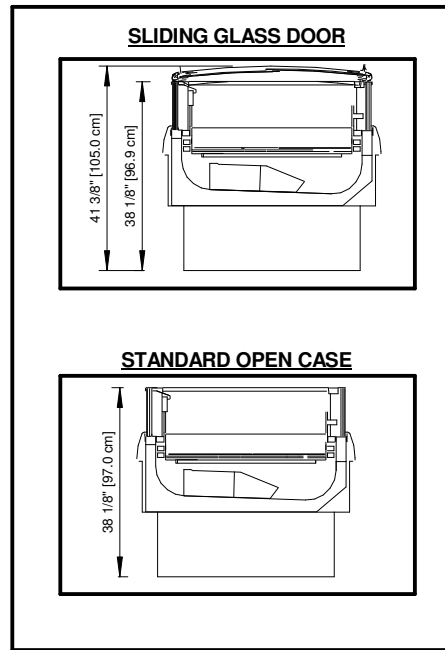
## CASE CONFIGURATIONS



## GLASS FRONT OPTIONS



## DOOR OPTIONS



ALL MEASUREMENTS ARE TAKEN PER ASHRAE-72-2005 SPECIFICATIONS. HILLPHOENIX REFRIGERATED DISPLAY CASES FOR SALE IN THE UNITED STATES MEET OR EXCEED DEPARTMENT OF ENERGY 2017 REQUIREMENTS.

ONIZGGA

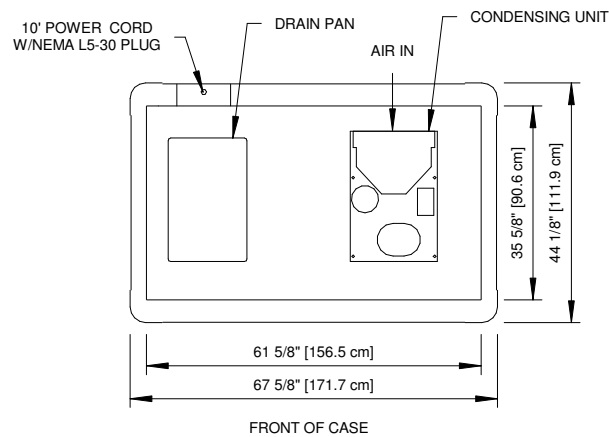
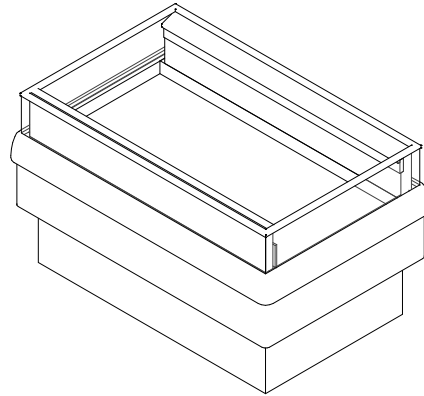
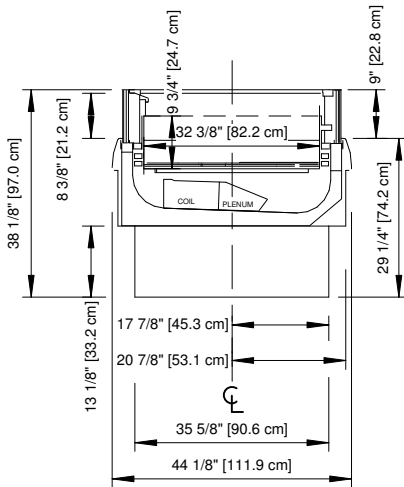
Rev Date:	Rev #	Revision Description:
9-27-17	1	DOE 2017

**Hillphoenix**

A DOVER COMPANY

# ONIZGGA

## Narrow Self-Contained Single-Deck Merchandiser 5' & 6' (Frozen Food, Dual Temp)



ALL MEASUREMENTS ARE TAKEN PER ASHRAE-72-2005 SPECIFICATIONS. HILLPHOENIX REFRIGERATED DISPLAY CASES FOR SALE IN THE UNITED STATES MEET OR EXCEED DEPARTMENT OF ENERGY 2017 REQUIREMENTS.

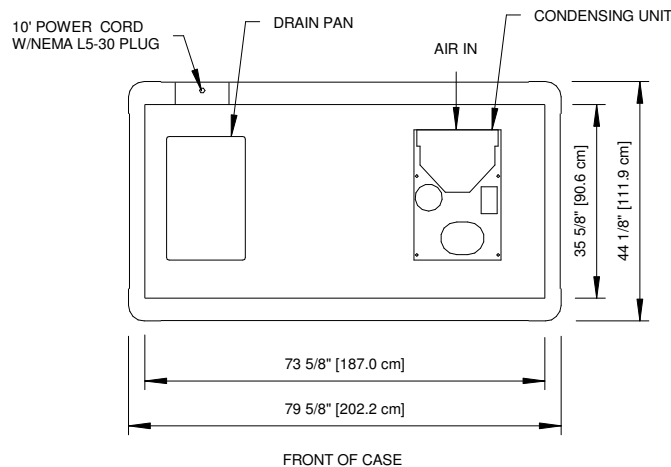
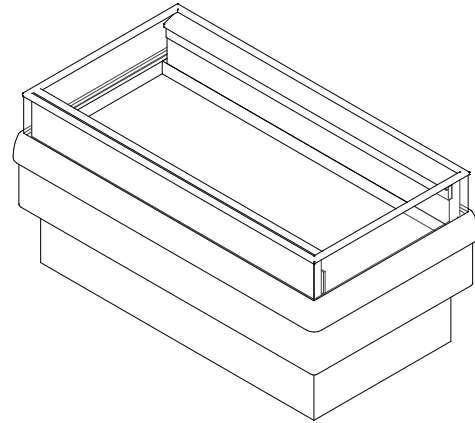
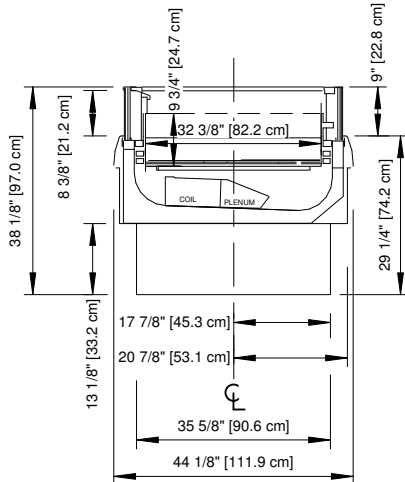
### ONIZGGA 5' 1-1

Rev Date:	Rev #	Revision Description:
4-11-17	1	DOE 2017



# ONIZGGA

## Narrow Self-Contained Single-Deck Merchandiser 5' & 6' (Frozen Food, Dual Temp)



ALL MEASUREMENTS ARE TAKEN PER ASHRAE-72-2005 SPECIFICATIONS. HILLPHOENIX REFRIGERATED DISPLAY CASES FOR SALE IN THE UNITED STATES MEET OR EXCEED DEPARTMENT OF ENERGY 2017 REQUIREMENTS.

### ONIZGGA 6' 1-1

Rev Date:	Rev #	Revision Description:
4-11-17	1	DOE 2017

**Hillphoenix**  
A DOVER COMPANY