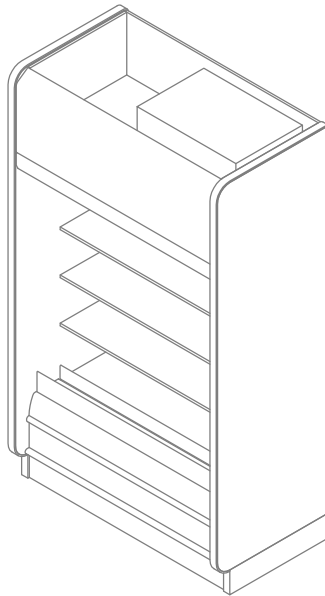


GENERAL NOTES

- " - - -" indicates that feature is not an option with this case model and/or available at this time



SHIPPING WEIGHT	
Case	Weight
ONNSA	- - -



COMPONENT

ALL MEASUREMENTS ARE TAKEN PER ASHRAE-72-2005 SPECIFICATIONS. HILLPHOENIX REFRIGERATED DISPLAY CASES FOR SALE IN THE UNITED STATES MEET OR EXCEED DEPARTMENT OF ENERGY 2017 REQUIREMENTS.

ONNSA

Rev Date:	Rev #	Revision Description:
7-16-18	2	Layout Update
10-13-17	1	DOE 2017

SYSTEM REQUIREMENTS

Case Length	Volts	Phase	Frequency (Hz)	System Amperage	Horsepower	Running Load Amps (RLA) (Amps)	Locked Rotor Amps (LRA) (Amps)	Refrigerant	Plug Style
39"	120	1	60	30	1/2	12.9	66.6	R134A	NEMA L5-30
47"	120	1	60	30	1/2	12.9	66.6	R134A	NEMA L5-30

LIGHTING DATA

Case Length	Lights Per Row	Light Length	Clearvoyant v4 LED Lighting (Per Light Row)			
			Standard Power (Cornice or Shelf)		High Power (Cornice Only)	
			120 Volts		120 Volts	
			Amps	Watts	Amps	Watts
39"	1	3'	0.07	8.3	0.12	14.9
47"	1	3'	0.07	8.3	0.12	14.9

GUIDELINES AND CONTROL SETTINGS

Case Length	24 hour Energy Usage (kWh)	Suction Pressure (psig) @ Case Outlet	Superheat Set Point (°F) @ Bulb	Discharge Air (°F)	Discharge Air Velocity (FPM)
39"	37.2	19.9	6-8	35	275 FPM
47"	37.2	19.9	6-8	35	275 FPM

DEFROST CONTROLS

Defrosts Per Day	Timed-Off Defrost	
	Fail-Safe (Min)	Termination Temp (°F)
6	28	52

NOTES

- "-" indicates that data is not available yet
- Listed discharge air velocity represents the average velocity at the peak of defrost.
- Temperature and defrost settings listed above are recommended start-up settings. Final operational settings may need to be adjusted for the store conditions in which the case operates.
- The recommended evaporator temperatures may need to be adjusted based on system setup, store conditions, etc. The minimum recommended evaporator temperature is 4°F below the listed evaporator temperature.

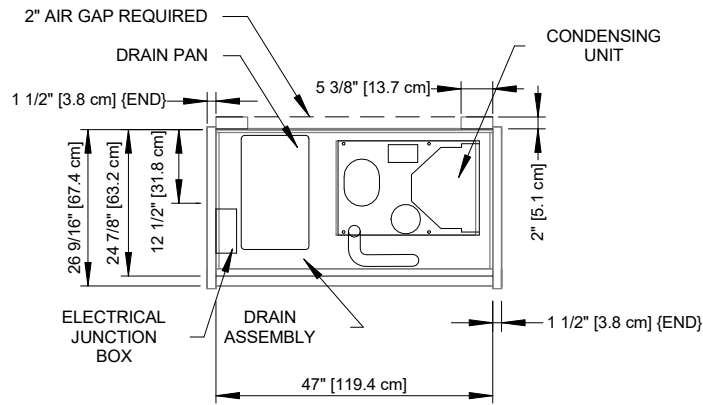
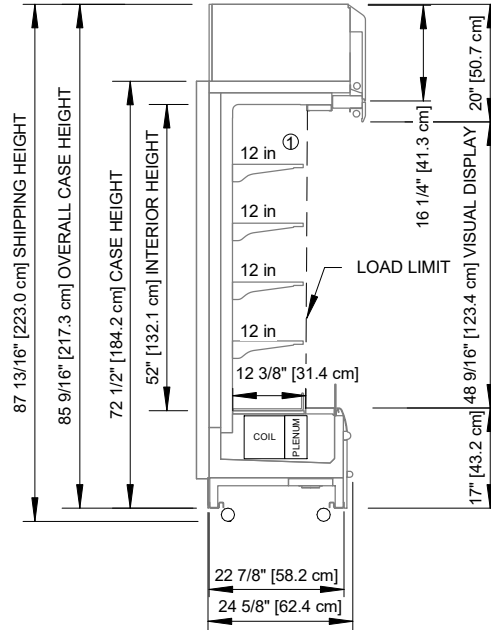


ONNSA

ALL MEASUREMENTS ARE TAKEN PER ASHRAE-72-2005 SPECIFICATIONS. HILLPHOENIX REFRIGERATED DISPLAY CASES FOR SALE IN THE UNITED STATES MEET OR EXCEED DEPARTMENT OF ENERGY 2017 REQUIREMENTS.

Rev Date:	Rev #	Revision Description:
7-16-18	2	Layout Update
10-13-17	1	DOE 2017

Hillphoenix
A DOVER COMPANY



NOTES

① : AVAILABLE SHELF SIZES: 12"

- ends add approximately 1" to case height, 1/2" to the back & 1" to the front
- ends also available in 1" widths



ALL MEASUREMENTS ARE TAKEN PER ASHRAE-72-2005 SPECIFICATIONS. HILLPHOENIX REFRIGERATED DISPLAY CASES FOR SALE IN THE UNITED STATES MEET OR EXCEED DEPARTMENT OF ENERGY 2017 REQUIREMENTS.

ONNSA

Rev Date:	Rev #	Revision Description:
7-16-18	2	Layout Update
10-13-17	1	DOE 2017