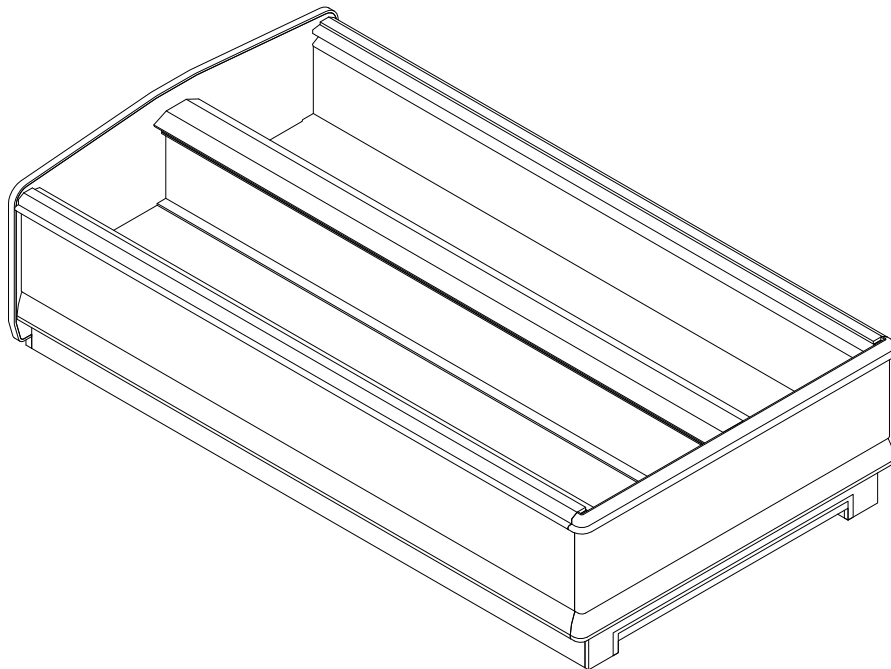


GENERAL NOTES

- "- -" indicates that the feature is not an option on this case model and/or is not available at this time.



SHIPPING WEIGHT	
Case	Weight
OWIZV	- - -



ALL MEASUREMENTS ARE TAKEN PER ASHRAE-72-2005 SPECIFICATIONS. HILLPHOENIX REFRIGERATED DISPLAY CASES FOR SALE IN THE UNITED STATES MEET OR EXCEED DEPARTMENT OF ENERGY 2017 REQUIREMENTS.

OWIZV

Rev Date:	Rev #	Revision Description:
6-28-18	2	NEW STANDARDS
8-01-17	1	DOE 2017

ELECTRICAL DATA													
Length	Fans Per Case	High Efficiency Fans		Anti Condensate Heaters				Drain Heaters		Defrost Heaters			
		120 Volts		Solid Front		Glass Front		120 Volts		208 Volts		240 Volts	
		Amps	Watts	Amps	Watts	Amps	Watts	Amps	Watts	Amps	Watts	Amps	Watts
4'	2	0.15	8	1.03	124	1.41	170	0.26	30	7.70	1600	8.88	2130
6'	4	0.29	16	1.33	160	2.25	270	0.26	30	8.70	1800	10.00	2400
8'	4	0.29	16	1.84	220.9	3.19	382	0.26	30	11.54	2400	13.31	3195
10'	6	0.44	24	2.40	288	3.94	473	0.26	30	14.42	3000	16.64	3994
12'	6	0.44	24	2.87	344	3.81	457	0.26	30	17.31	3600	19.98	4795
WRAP	---	---	---	---	---	1.05	126	---	---	---	---	---	---

LIGHTING DATA						
Length	Lights Per Row	Light Length	Clearvoyant LED Lighting (Per Light Row)			
			Standard Power		High Power	
			120 Volts		120 Volts	
			Amps	Watts	Amps	Watts
4'	2	2 - 4'	0.20	23.8	0.36	43.0
6'	4	2 - 3'	0.28	33.2	0.50	59.6
8'	4	4 - 4'	0.40	47.6	0.72	86.0
10'	6	2 - 3', 1 - 4'	0.48	57.0	0.86	102.6
12'	6	3 - 4'	0.60	71.0	1.08	129.0

GUIDLINES AND CONTROL SETTINGS						
Application	BTUH/ft		Superheat Set Point @ Bulb (°F)	Evaporator (°F)	Discharge Air (°F)	Discharge Air Velocity (FPM)
	Conventional	Parallel				
Frozen Food	610	587	3 - 5	-12	-6	180
Ice Cream	719	692	3 - 5	-22	-17	180
Medium Temp	458	450	6 - 8	17	27	180

DEFROST CONTROLS									
Application	Defrosts Per Day	Run-Off Time (min)		Electric Defrost		Timed-Off Defrost		Hot Gas Defrost	
		Electric	Hot Gas	Fail-Safe (Min)	Termination Temp (°F)	Fail-Safe (Min)	Termination Temp (°F)	Fail Safe (Min)	Termination Temp (°F)
Frozen Food/ Ice Cream	1	5	13 - 15	60	49	---	---	20	60
Medium Temp	1	5	8	35	49	32	42	10	60

NOTES

- The listed glass wrap end anti-condensate heater data represent one wrap-around end. For two wrap-around ends, these numbers must be doubled. These numbers only apply to stainless steel glass caps.
- Defrost data represent one side of the case only. These values must be doubled to account for both sides.
- Lighting data represent both sides of the superstructure.
- Listed discharge air velocity represents the average velocity at the peak of defrost.
- Temperature and defrost settings listed below are recommended start-up settings. Final operational settings may need to be adjusted for the store conditions in which the case operates.
- The recommended evaporator temperatures may need to be adjusted based on system setup, store conditions, etc. The minimum recommended evaporator temperature is 4°F below the listed evaporator temperature.
- "- - -" indicates that the feature is not an option on this case model and/or is not available at this time.

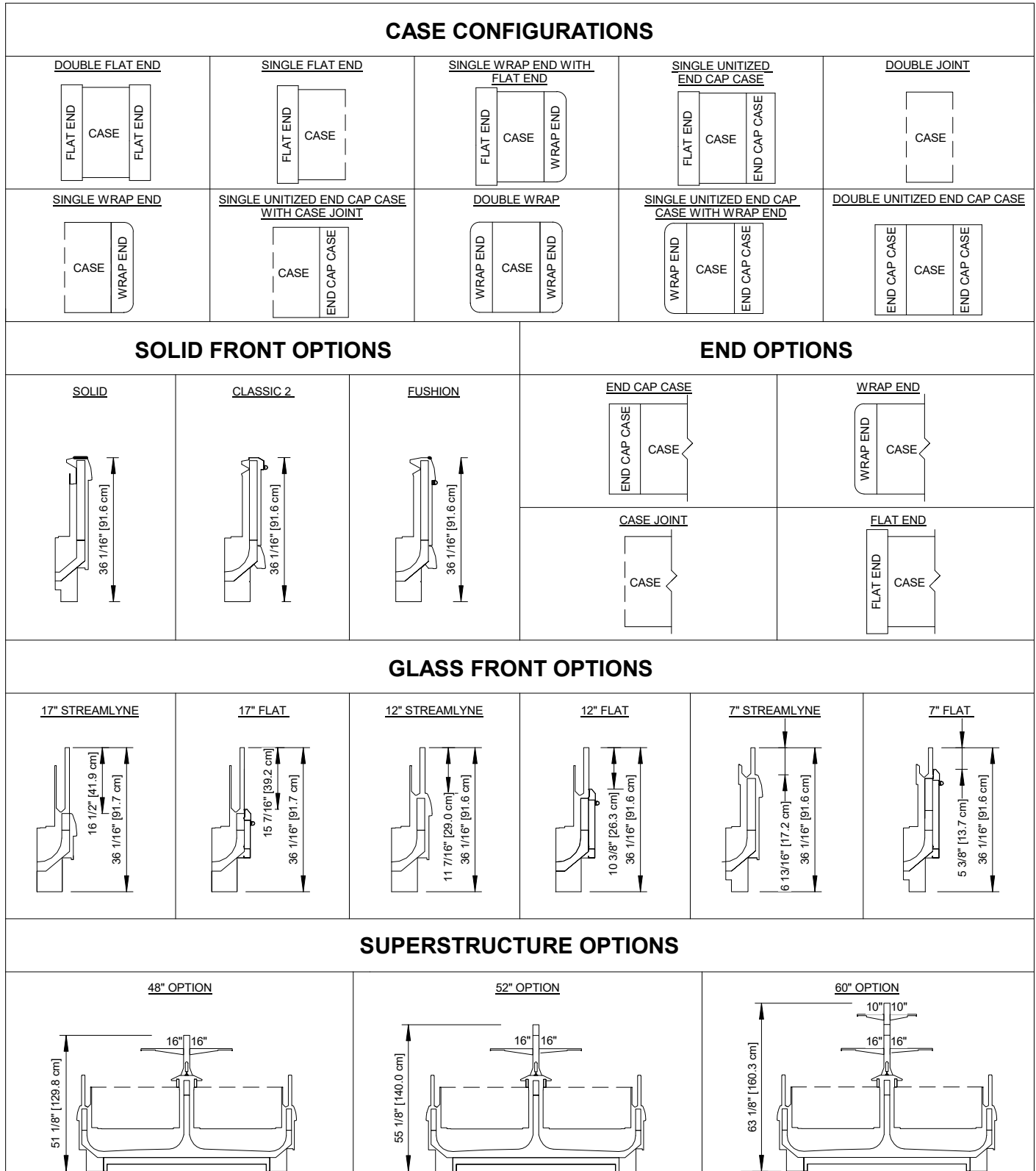


OWIZV

ALL MEASUREMENTS ARE TAKEN PER ASHRAE-72-2005 SPECIFICATIONS. HILLPHOENIX REFRIGERATED DISPLAY CASES FOR SALE IN THE UNITED STATES MEET OR EXCEED DEPARTMENT OF ENERGY 2017 REQUIREMENTS.

Rev Date:	Rev #	Revision Description:
6-28-18	2	NEW STANDARDS
8-01-17	1	DOE 2017

Hillphoenix
A DOWDY COMPANY

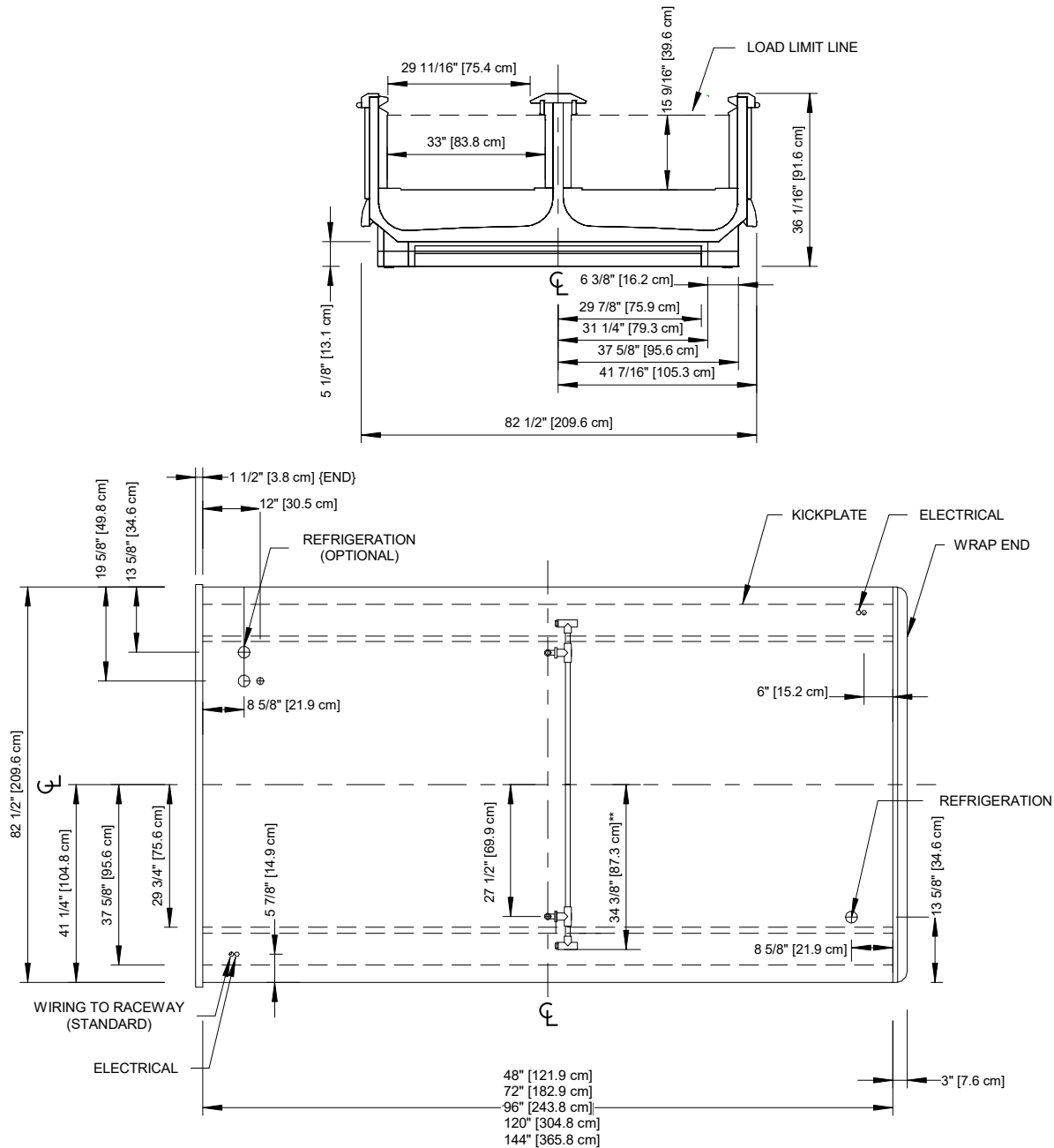


OWIZV

ALL MEASUREMENTS ARE TAKEN PER ASHRAE-72-2005 SPECIFICATIONS. HILLPHOENIX REFRIGERATED DISPLAY CASES FOR SALE IN THE UNITED STATES MEET OR EXCEED DEPARTMENT OF ENERGY 2017 REQUIREMENTS.

Rev Date:	Rev #	Revision Description:
6-28-18	2	NEW STANDARDS
8-01-17	1	DOE 2017





NOTES

- * : STUB-UP AREA
- ** : RECOMMENDED STUB-UP CENTERLINE FOR ELECTRICAL AND HUB DRAINS

- Suction Line - 7/8", Liquid Line - 1/2"



ALL MEASUREMENTS ARE TAKEN PER ASHRAE-72-2005 SPECIFICATIONS. HILLPHOENIX REFRIGERATED DISPLAY CASES FOR SALE IN THE UNITED STATES MEET OR EXCEED DEPARTMENT OF ENERGY 2017 REQUIREMENTS.

OWIZV

Rev Date:	Rev #	Revision Description:
6-28-18	2	NEW STANDARDS
8-01-17	1	DOE 2017

Hillphoenix
A DOWDY COMPANY