

GENERAL NOTES

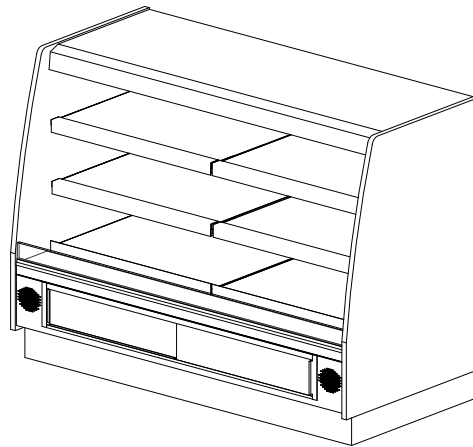
- "---" Indicates that the feature is not an option on this case model and/or the data is not yet available at this time.

Features and Benefits

- Sled runner base construction.
- Straight front profile to accommodate controls.
- Standard 54"H with 6-5/16" base height.
- Standard 24" case top depth.
- Painted metal exterior.
- Stainless steel exterior and base trim.
- Stainless steel interior and case top.
- Painted metal outside back.
- 3-1/2" glass on die board top.
- (2) rows of 20" heated stainless steel shelves.
- Flat bottom heated merchandising deck.
- T-8 top light.
- T-8 undershelf lighting.
- Low wattage, long wave radiant-heat system.
- Individual controls for each shelf and overhead heat mounted on case front behind sliding doors.
- Electronically-controlled zone heating.
- Rear electrical raceway.

Available Options

- Available lengths: 4' and 6'.
- Alternate height: 67"H.
- 45° front die board profile (requires rear controls).
- Alternate toe kick height includes: 7-13/16"H with no change to the overall height.
- Bullet leg base with adjustable height toe kick.
- Painted metal base trim.
- Cart bumper.
- Stainless steel exterior finish.
- Solid surface or stone case top.
- Rear load doors, rear controls.
- Solid interior mirror-polish stainless steel, thermal glass divider or glass end panels.
- Front electrical raceway.



SHIPPING WEIGHT	
Case	Weight
PFH-C	---



ENGINEERED FOR STORES WITH AMBIENT CONDITIONS NOT TO EXCEED 75° AND 55% RELATIVE HUMIDITY. DUE TO ENGINEERING IMPROVEMENTS SPECIFICATIONS MAY CHANGE WITHOUT NOTICE. ALL MEASUREMENTS ARE TAKEN PER ASHRAE-72-2005 SPECIFICATIONS. HILLPHOENIX REFRIGERATED DISPLAY CASES FOR SALE IN THE UNITED STATES MEET OR EXCEED DEPARTMENT OF ENERGY 2017 REQUIREMENTS. NUMBERS ARE BASED ON STANDARD CASE SIZES. CONSULT ENGINEERING.

PFH-C

Rev	Rev	Revision
12-2018	2	DATA UPDATE
11-2018	1	NEW STANDARDS

SELF-SERVICE													
Case Length	First Bottom Shelf		Second Middle Shelf		Third Middle Shelf		Fourth Top Shelf		Top Heat		Total Amps (208 3 60)		
	Qty	Watts (each)	Qty	Watts (each)	Qty	Watts (each)	Qty	Watts (each)	Qty	Watts (each)	L1	L2	L3
4'	1	1153	1	1040	1	1040	1	925.0	1	1500.0	17.74	17.39	20.62
6'	2	845	2	763	---	---	2	680.0	2	1125.0	24.70	20.32	23.38

ELECTRICAL DATA						
Case Length	Fans Per Case	Control Fans		Fans Per Case	Heater Fans	
		208 Volts			208 Volts	
		Amps	Watts		Amps	Watts
4'	1	0.11	12.0	1	0.11	12.0
6'	1	0.11	12.0	2	0.22	24.0

LIGHTING DATA				
Case Length	Lights Per Row	Light Length	Fluorescent Lighting (Per Light Row)	
			Amps	Watts
4'	1	3'	0.11	12.0
6'	2	2'	0.22	24.0

NOTES

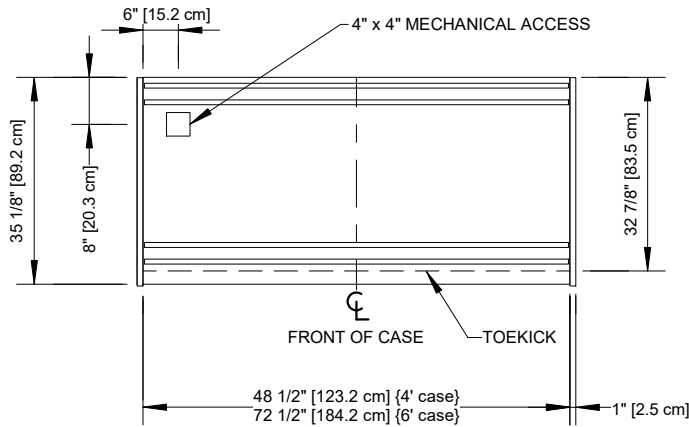
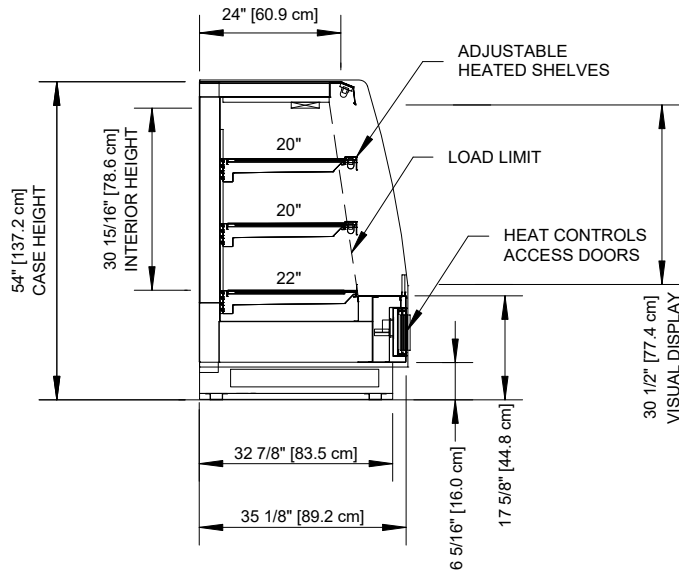
- "---" Indicates that the feature is not an option on this case model and/or the data is not yet available at this time.
- Bottom shelf does not have lights.



ENGINEERED FOR STORES WITH AMBIENT CONDITIONS NOT TO EXCEED 75° AND 55% RELATIVE HUMIDITY. DUE TO ENGINEERING IMPROVEMENTS SPECIFICATIONS MAY CHANGE WITHOUT NOTICE. ALL MEASUREMENTS ARE TAKEN PER ASHRAE-72-2005 SPECIFICATIONS. HILLPHOENIX REFRIGERATED DISPLAY CASES FOR SALE IN THE UNITED STATES MEET OR EXCEED DEPARTMENT OF ENERGY 2017 REQUIREMENTS. NUMBERS ARE BASED ON STANDARD CASE SIZES. CONSULT ENGINEERING.

PFH-C

Rev	Rev	Revision
12-2018	2	DATA UPDATE
11-2018	1	NEW STANDARDS



Intertek

Intertek

ENGINEERED FOR STORES WITH AMBIENT CONDITIONS NOT TO EXCEED 75° AND 55% RELATIVE HUMIDITY. DUE TO ENGINEERING IMPROVEMENTS SPECIFICATIONS MAY CHANGE WITHOUT NOTICE. ALL MEASUREMENTS ARE TAKEN PER ASHRAE-72-2005 SPECIFICATIONS. HILLPHOENIX REFRIGERATED DISPLAY CASES FOR SALE IN THE UNITED STATES MEET OR EXCEED DEPARTMENT OF ENERGY 2017 REQUIREMENTS. NUMBERS ARE BASED ON STANDARD CASE SIZES. CONSULT ENGINEERING.

PFH-C

Rev	Rev	Revision
12-2018	2	DATA UPDATE
11-2018	1	NEW STANDARDS

Hillphoenix

A DOVER COMPANY