

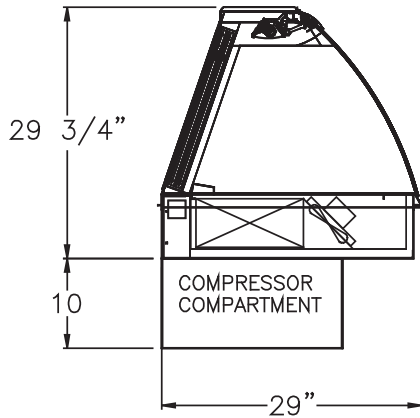
# Model Number: QRD-3, QRD-4, QRD-5, QRD-6, QRD-8

Consult factory for CAD Library

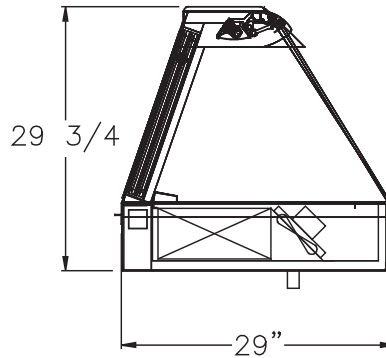
SPECIALTY PRODUCTS

SERVICE Deli

QRD-SC Standard Case



QRD-R Standard Case



ENGINEERED FOR STORES WITH AMBIENT CONDITIONS NOT TO EXCEED 75 DEGREES AND 50% RELATIVE HUMIDITY. DUE TO ENGINEERING IMPROVEMENTS SPECIFICATIONS MAY CHANGE WITHOUT NOTICE.

Remote Case Data - Electrical 120 Volt					
Model	BTU Lin/Ft	Evap Temp	Defrost	Evap Fans	Cornice Lt
<b>QRD SERIES</b>					
QRD-3	200	+18°	20"/4hr.	0.21	0.49
QRD-4	200	+18°	20"/4hr.	0.21	0.49
QRD-5	200	+18°	20"/4hr.	0.21	0.49
QRD-6	200	+18°	20"/4hr.	0.42	0.49
QRD-8	200	+18°	20"/4hr.	0.62	0.92

Additional Loads for Self-Contained Units					
HP	Voltage	404A RLA/LRA	134A RLA/LRA	Cond Fan	Heater
1/6	120-1-60	NA	2.3/15	0.56	5.0
1/5	120-1-60	NA	2.9/19	0.56	5.0
1/5	120-1-60	4.2/27	NA	0.56	5.0
1/4	120-1-60	NA	3.9/25	0.56	5.0
1/4	120-1-60	5.3/34	NA	0.56	5.0

REMOTE CASES - 20 MINUTES DEFROST EVERY 4 HOURS

**Dimensions Without Ends** Add 1" for each end to overall width of case

Model	W x D x H (Self Contained/Remote)
QRD-3	36 1/2 X 29 X (39 3/4 / 29 3/4)
QRD-4	48 1/2 X 29 X (39 3/4 / 29 3/4)
QRD-5	60 1/2 X 29 X (39 3/4 / 29 3/4)
QRD-6	72 1/2 X 29 X (39 3/4 / 29 3/4)
QRD-8	96 1/2 X 29 X (39 3/4 / 29 3/4)

Unit extends 22 1/4" from countertop

**Ship Weights** (approximate)

QRD-3	418
QRD-4	525
QRD-5	633
QRD-6	750
QRD-8	977

Conforms to UL Standards 471, NSF Standard 7 and CAN/CSA C22.2