

# Self-Service Open Multi-Deck Top-Mount Narrow Merchandiser

## QTMN SELF-CONTAINED - 95"

### System Requirements

Model	Width	Volts	Phase	Total Amps	Minimum Circuit Ampacity	Maximum Overcurrent Protection
QTMN	95"	120/208	1	19.27	24.1	43

### Electrical Data

Model	Width	Fans per Case	High Efficiency Fans		Anti-Condensate Fans		Drain Pumps		Evaporator Pan Heaters			Auxiliary Fans	
			120 Volts		120 Volts		120 Volts		Volts	Amps	Watts	120 Volts	
			Amps	Watts	Amps	Watts	Amps	Watts				Amps	Watts
QTMN	95"	4	1.2	144	---	---	1	---	208	7.2	1500	---	---

### Lighting Data

Model	Width	Lights per Row	Light Length (ft)	Fluorescent Lighting (Per Light Row)		Clearvoyant LED Lighting (Per Light Row)							
				120 Volts		Standard Power (Cornice or Shelf)			High Power (Cornice)				
				Amps	Watts	120 Volts		120 Volts		120 Volts		120 Volts	
				Amps	Watts	Maximum Allowable Rows	Amps	Watts	Maximum Allowable Rows	Amps	Watts	Maximum Allowable Rows	
QTMN	95"	2	3	0.49	57	4	0.14	16.6	4	0.24	29.8	4	

### Guidelines & Control Settings

Model	24hr Energy Usage (kWh/ft)	Suction Temperature @ Case Outlet (°F)	Superheat Set Point @ Bulb (°F)	Discharge Air (°F)	Discharge Air <sup>2</sup> Velocity (FPM)
QTMN	---	20	10	30	60-100

### Condensing Unit Data

Model	Width	Volts	Phase	HP	RLA <sup>3</sup> (amps)	LRA <sup>4</sup> (amps)	Refrig.	Condenser Fans		Lbs. of Refrig.
								Amps	Watts	
QTMN	95"	208	1	1.5	5.9	40	404a	1.2	128	5.8-6.0

### Defrost Controls

Model	Defrosts per Day	Run-Off Time (min)	Electric Defrost		Timed-Off Defrost		Hot Gas Defrost	
			Fail-Safe (min)	Termination Temp (°F)	Fail-Safe (min)	Termination Temp (°F)	Fail-Safe (min)	Termination Temp (°F)
QTMN	6	---	---	---	30	42	---	---

1 NOTE: " - - " indicates data not applicable.

2 Average discharge air velocity at peak of defrost.

3 RLA - Running Load Amps

4 LRA - Locked Rotor Amps

Engineered for stores with ambient conditions not to exceed 75° and 55% relative humidity.

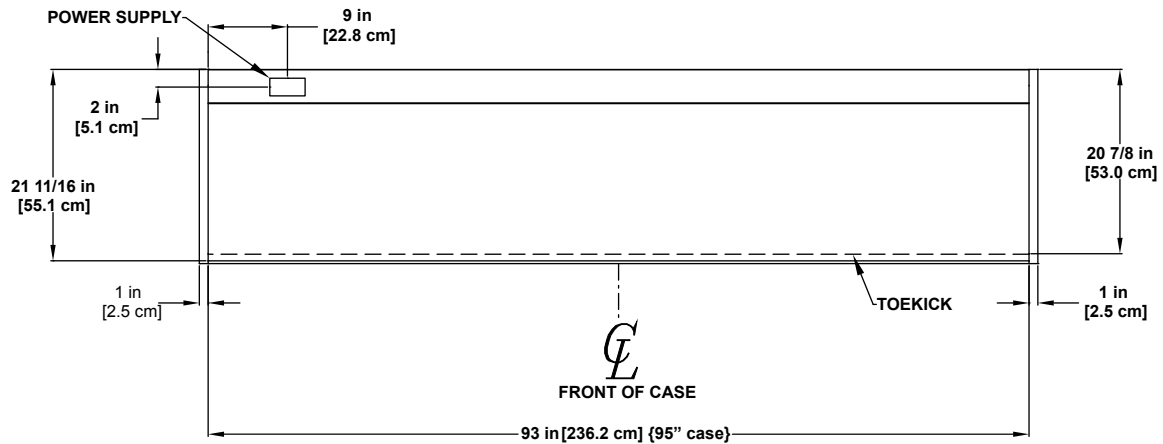
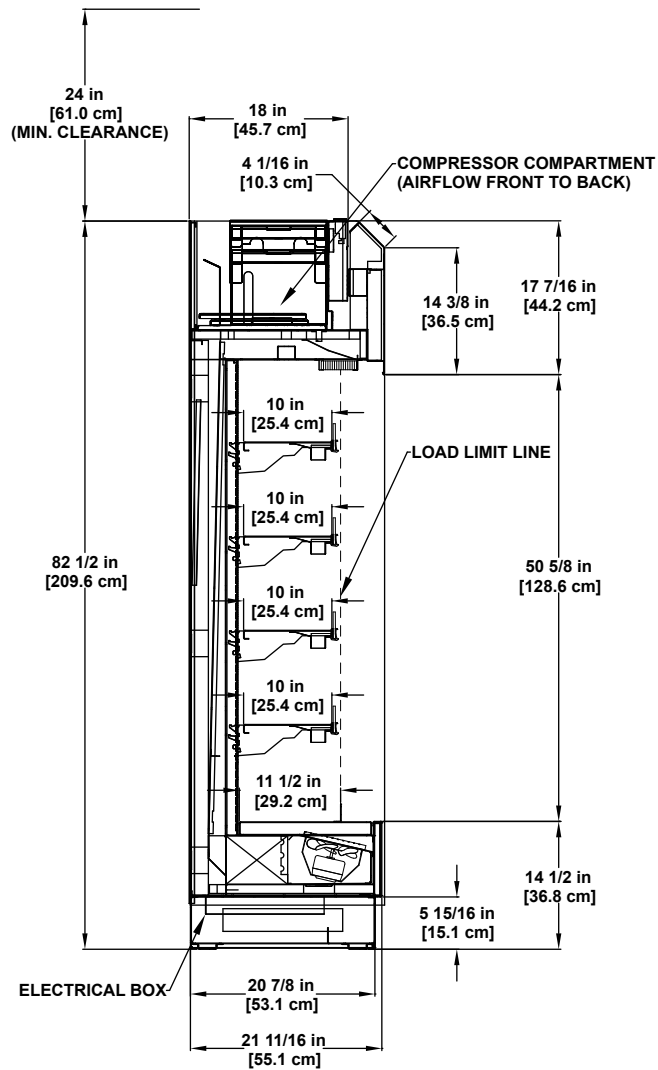
Due to engineering improvements specifications may change without notice.

All measurements are taken per ASHRAE - 72 - 2005 specifications.

Numbers are based on standard case sizes. Consult engineering.



# QTMN (95" Self-Contained)



SELF-SERVICE  
MULTI-DECK

Beverage / Dairy / Deli / Produce