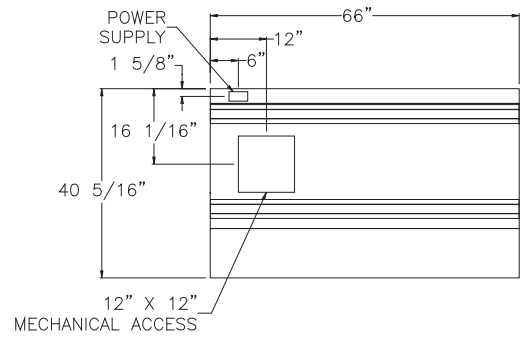
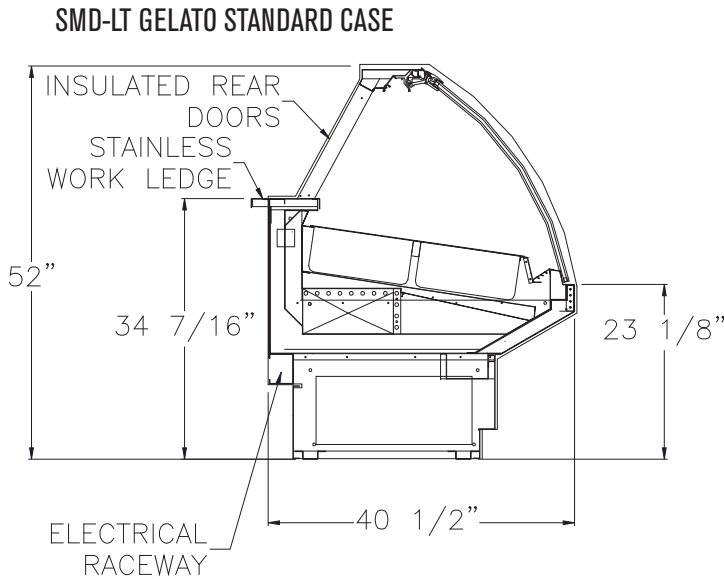


# Model Number: Service SMD-4LT, SMD-5LT, SMD-6LT

Consult factory for CAD Library

SPECIALTY PRODUCTS

SERVICE Gelato



ENGINEERED FOR STORES WITH AMBIENT CONDITIONS NOT TO EXCEED 75 DEGREES AND 50% RELATIVE HUMIDITY. DUE TO ENGINEERING IMPROVEMENTS SPECIFICATIONS MAY CHANGE WITHOUT NOTICE.

Remote Case Data - Electrical								
Model	BTU Lin/Ft	Evap Temp	Defrost	Evap Fans	Cornice Lts	Drain Heater	Glass Heater	Defrost Heater
<b>SMD LOW TEMP SERIES</b>								
SMDLT-4	375	-10°	Electric Defrost: 60"/6hrs 45° Termination Point 10" Drip	0.23	0.49	0.83	1.0	5.5
SMDLT-5	375	-10°		0.46	0.49	0.83	1.0	6.0
SMDLT-6	375	-10°		0.46	0.76	0.83	1.0	6.0

**Dimensions Without Ends** Add 1" for each end to overall width of case for solid ends and 1 1/2" for each end for glass ends

Model	W x D x H	# of Liter Pans	# of U.S. Pans
SMD-4LT	40 X 40 1/2 X 52	12	10
SMD-5LT	59 1/2 X 40 1/2 X 52	18	16
SMD-6LT	66 X 40 1/2 X 52	20	18