

Service Single-Deck Hot Well Merchandiser w/ Curved Lift Glass

SSD HOT - 4', 6', 8', 10', & 12'

Service

Model		Top Heaters		Bottom Heaters		Lights		Shelves		Total Amps (120/208-1-60)	Total Amps (120/208-3-60)		
		Qty	Watts (each)	Qty	Watts (each)	Qty	Watts (each)	Qty	Watts (each)		L1	L2	L3
SSDH	4'	3	400	2	600	2	100	---	---	---	11.52	7.2	5.88
	6'	4	400	3	600	3	100	---	---	---	10.58	12.49	12.23
	8'	6	400	4	600	4	100	---	---	---	17.28	17.28	15.09
	10'	7	400	5	600	5	100	---	---	---	20.16	20.72	19.2
	12'	8	400	6	600	6	100	---	---	---	26.73	23.12	26.0

Electrical Data

Model		Fans per Case	Convection Fans	
			120 Volts	
			Amps	Watts
SSDH	4'	2	0.06	14
	6'	3	0.09	21
	8'	4	0.12	28
	10'	4	0.12	28
	12'	5	0.15	35

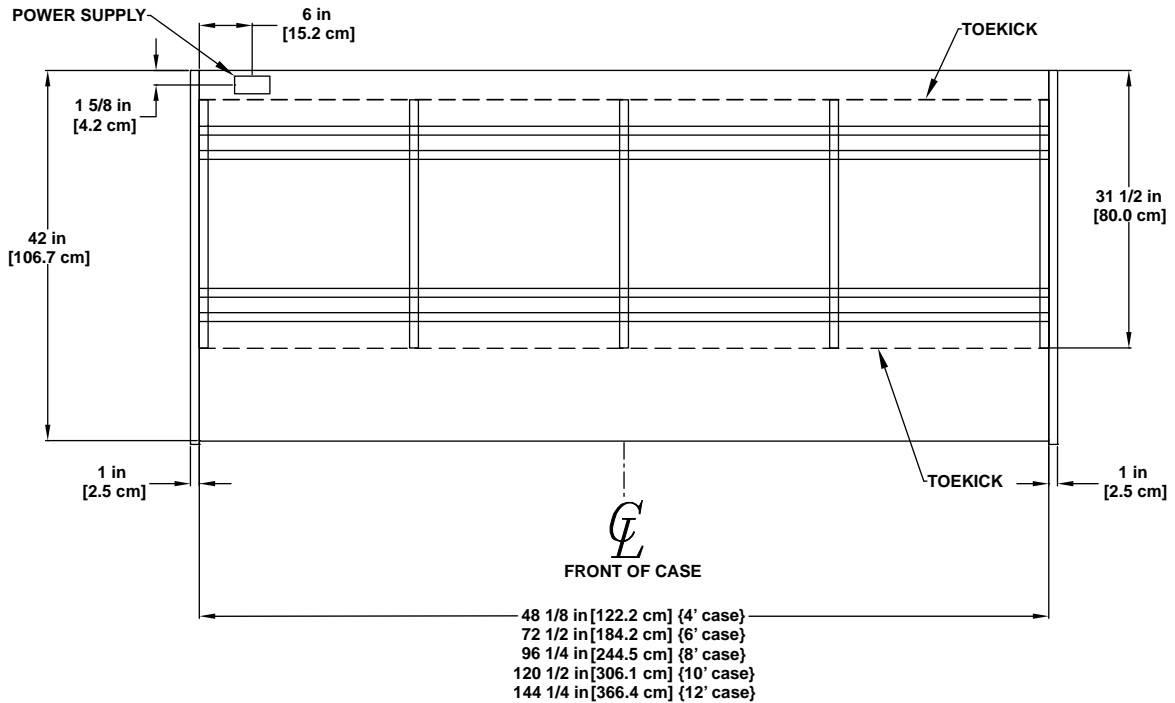
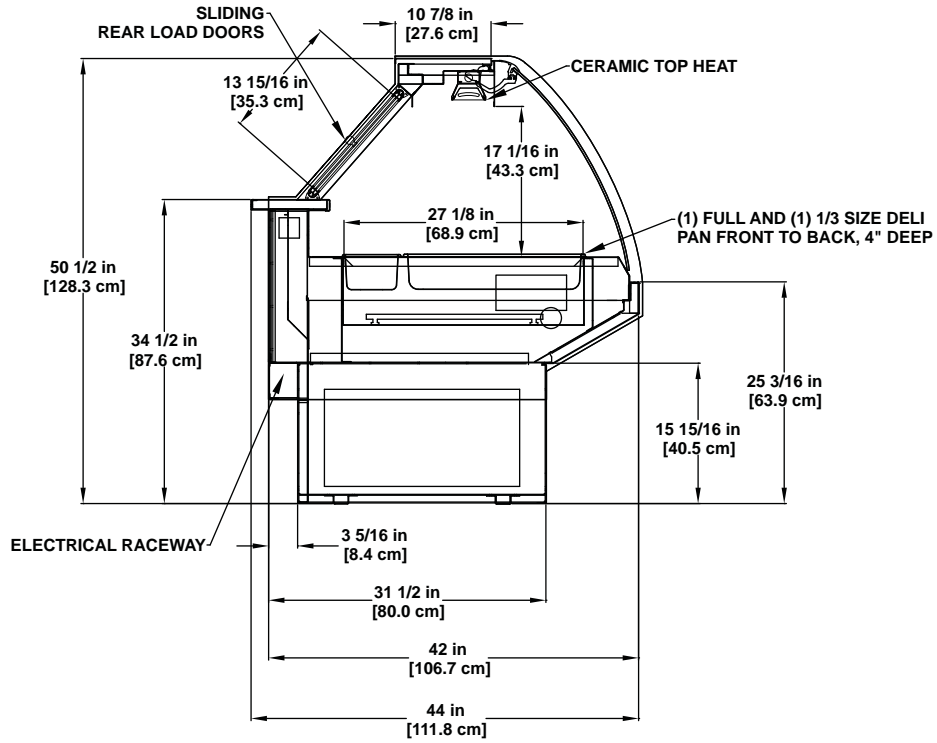
Lighting Data

Model		Lights per Row	Light Length (ft)	Incandescent Lighting (Per Light Row)	
				Amps	Watts
SSDH	4'	2	---	0.96	200
	6'	3	---	1.44	300
	8'	4	---	1.92	400
	10'	5	---	2.40	500
	12'	6	---	2.88	600

1 NOTE: "---" indicates data not applicable.

Engineered for stores with ambient conditions not to exceed 75° and 55% relative humidity.
 Due to engineering improvements specifications may change without notice.
 All measurements are taken per ASHRAE - 72 - 2005 specifications.
 Numbers are based on standard case sizes. Consult engineering.





SERVICE
SINGLE-DECK
Deli