

SHIPPING WEIGHT	
Case	Weight
O2MZD	---



COMPONENT

ALL MEASUREMENTS ARE TAKEN PER ASHRAE-72-2005 SPECIFICATIONS. HILLPHOENIX REFRIGERATED DISPLAY CASES FOR SALE IN THE UNITED STATES MEET OR EXCEED DEPARTMENT OF ENERGY 2017 REQUIREMENTS.

O2MZD

Rev Date:	Rev #	Revision Description:
4/10/18	1	DOE 2017 & NEW STANDARDS

ELECTRICAL DATA									
Case Length	Fans Per Case	High Efficiency Fans		Anti-Condensate Heaters		Defrost Heaters			
		120 Volts		120 Volts		208 Volts		240 Volts	
		Amps	Watts	Amps	Watts	Amps	Watts	Amps	Watts
4'	2	0.30	22	0.30	36	7.7	1600	8.9	2130
6'	2	0.30	22	0.50	60	8.7	1800	10.0	2400
8'	2	0.30	22	0.67	82	11.5	2400	13.3	3195
12'	3	0.45	33	1.00	120	17.3	3600	20.0	4795

LIGHTING DATA						
Case Length	Lights Per Row	Light Length	Clearvoyant LED Lighting (Per Light Row)			
			Standard Power (Cornice or Shelf)		High Power (Cornice)	
			120 Volts		120 Volts	
			Amps	Watts	Amps	Watts
4'	1	4'	0.10	11.9	0.18	21.5
6'	2	3'	0.14	16.6	0.25	29.8
8'	2	4'	0.20	23.8	0.36	43.0
12'	3	4'	0.30	35.7	0.54	64.5

GUIDELINES AND CONTROL SETTINGS						
Application	BTUH/ft		Superheat Set Point @ Bulb (°F)	Evaporator (°F)	Discharge Air (°F)	Discharge Air Velocity (FPM)
	Conventional	Parallel				
Frozen Food	587	562	3 - 5	-17	-5	155
Ice Cream	695	665	3 - 5	-27	-15	155

DEFROST CONTROLS							
Defrosts Per Day	Run-Off Time (Min)	Electric Defrost		Timed-Off Defrost		Hot Gas Defrost	
		Fail-Safe (Min)	Termination Temp (°F)	Fail-Safe (Min)	Termination Temp (°F)	Fail-Safe (Min)	Termination Temp (°F)
3	13-15	60	65	---	---	30	70

NOTES:

- "----" indicates that feature is not an option on this case model.
- Listed BTUH/ft indicate unlighted shelves. For LED lighting, add 36 BTUH per 4' lighted shelf and 27 BTUH per 3' lighted shelf to determine Total Lighting BTUH Load, then divide the Total Lighting BTUH Load by the length of the case.
- Standard fans increase refrigeration load by 96 BTUH/fan.
- Average discharge air velocity at peak of defrost.

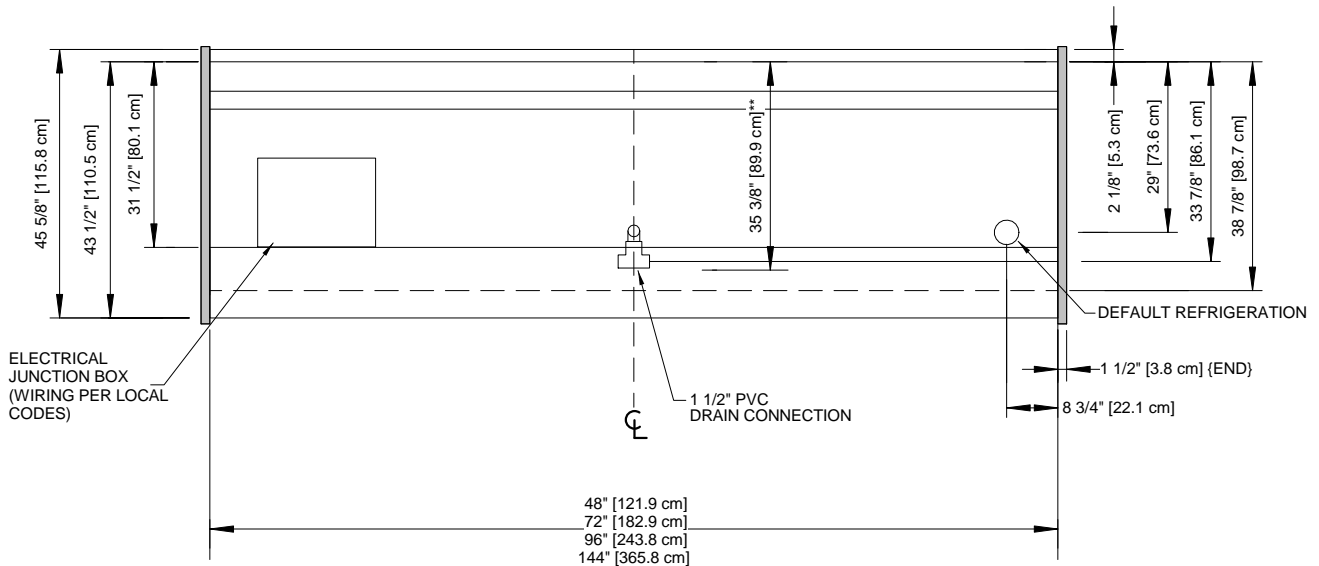
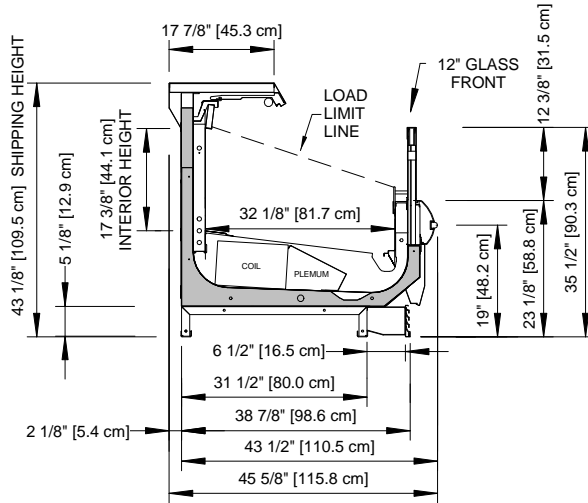


O2MZD

ALL MEASUREMENTS ARE TAKEN PER ASHRAE-72-2005 SPECIFICATIONS. HILLPHOENIX REFRIGERATED DISPLAY CASES FOR SALE IN THE UNITED STATES MEET OR EXCEED DEPARTMENT OF ENERGY 2017 REQUIREMENTS.

Rev Date:	Rev #	Revision Description:
4/10/18	1	DOE 2017 & NEW STANDARDS





NOTES:

- * : STUB-UP AREA
- ** : RECOMMENDED STUB-UP CENTERLINE FOR ELECTRICAL AND HUB DRAINS

- Front and rear sill heights vary with baseframe height
- Ends add approximately 1" to case height
- Dashed lines signify area inside the base rail behind the kick plate



O2MZD

ALL MEASUREMENTS ARE TAKEN PER ASHRAE-72-2005 SPECIFICATIONS. HILLPHOENIX REFRIGERATED DISPLAY CASES FOR SALE IN THE UNITED STATES MEET OR EXCEED DEPARTMENT OF ENERGY 2017 REQUIREMENTS.

Rev Date:	Rev #	Revision Description:
4/10/18	1	DOE 2017 & NEW STANDARDS