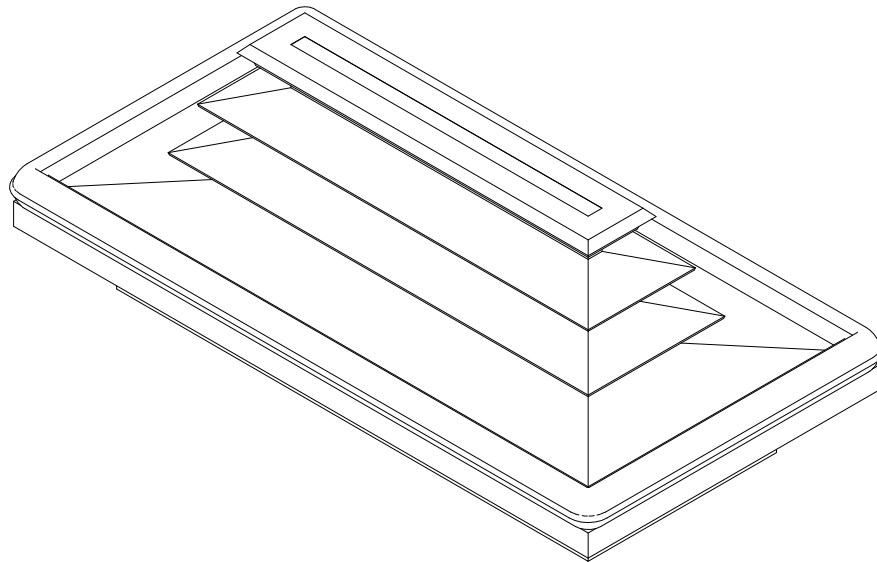


O3IP

Wide Multi-Deck Island Merchandiser
8' & 12' (Produce) Double Wrap-Around Ends

GENERAL NOTES

- "---" indicates that the feature is not an option on this case model and/or the data is not yet available.
- LED lights only.



SHIPPING WEIGHT	
Case	Weight
O3IP	---



ALL MEASUREMENTS ARE TAKEN PER ASHRAE-72-2005 SPECIFICATIONS. HILLPHOENIX REFRIGERATED DISPLAY CASES FOR SALE IN THE UNITED STATES MEET OR EXCEED DEPARTMENT OF ENERGY 2017 REQUIREMENTS.

O3IP

Rev Date:	Rev #	Revision Description:
7-11-18	2	NEW STANDARDS
12-1-17	1	DOE 2017

Hillphoenix
A DOWEY COMPANY

ELECTRICAL DATA									
Case Length	Fans Per Case	High Efficiency Fans		Anti Condensate Heaters		Defrost Heaters			
		120 Volts		120 Volts		Standard Power (Cornice or Shelf)		High Power (Cornice)	
		Amps	Watts	Amps	Watts	Amps	Watts	Amps	Watts
8'	6	0.90	66.0	0.82	98.0	4.34	902	5.00	1200
12'	8	1.20	88.0	1.08	130.0	7.22	1502	8.33	2000

LIGHTING DATA									
Case Length	Shelf Depth	Lights Per Row	Light Length	Clearvoyant v4 LED Lighting (Per Light Row)					
				Standard Power		High Power Power			
				Cornice or Shelf		Cornice Only			
				120 Volts		120 Volts			
Amps	Watts	Amps	Watts						
8'	Top Sill	4	2 (2ft), 2 (4ft)	0.15	17.9	0.38	45.4		
8'	12"	8	6 (0.5ft), 2 (1ft)	0.08	10.1	---	---		
8'	16"	8	6 (0.5 ft), 2 (1.5ft)	0.10	12.2	---	---		
12'	Top Sill	6	2 (2ft), 4 (4ft)	0.25	29.6	0.63	75.3		
12'	12"	8	4 (0.5ft), 2 (1ft), 2 (4ft)	0.16	19.8	---	---		
12'	16"	8	4 (0.5ft), 2 (1.5ft), 2 (4ft)	0.18	21.9	---	---		

GUIDLINES AND CONTROL SETTINGS					
BTUH/ft		Super Heat Set Point @ bulb (°F)	Evaporator (°F)	Discharge Air (°F)	Discharge Air Velocity (FPM)
Conventional	Parallel				
1045	946	6 - 8	22	34	160

DEFROST CONTROLS							
Defrost Per Day	Run-Off Time (Min)	Electrical Defrost		Timed-Off Defrost		Hot Gas Defrost	
		Fail-Safe (Min)	Termination Temp (°F)	Fail-Safe (Min)	Termination Temp (°F)	Fail-Safe (Min)	Termination Temp (°F)
4	6 - 8	30	47	44	38	26	45

NOTES

- "----" indicates that the feature is not an option on this case model and/or the data is not yet available.
- Listed LED lighting values represent a full row of shelves (including wrap-around ends).
- Listed BTUH/ft data represents unlighted shelves. For LED lighting, add 9 BTUH/ft per row of lighted shelving.
- Load data represents the sum of both coils.
- Listed evaporator temperature represents unlighted shelves. For lighted shelves and/or aftermarket merchandising accessories, reduce the listed evaporator temperature by 2°F.
- BTUH load increases by 132 BTUH/ft when aftermarket merchandising accessories are utilized.
- Listed discharge air velocity represents the average velocity at the peak of defrost.
- Temperature and defrost settings listed above are recommended start-up settings. Final operational settings may need to be adjusted for the store conditions in which the case operates.
- The recommended evaporator temperatures may need to be adjusted based on system setup, store conditions, etc. The minimum recommended evaporator temperature is 4°F below the listed evaporator temperature.



O3IP

ALL MEASUREMENTS ARE TAKEN PER ASHRAE-72-2005 SPECIFICATIONS. HILLPHOENIX REFRIGERATED DISPLAY CASES FOR SALE IN THE UNITED STATES MEET OR EXCEED DEPARTMENT OF ENERGY 2017 REQUIREMENTS.

Rev Date:	Rev #	Revision Description:
7-11-18	2	NEW STANDARDS
12-1-17	1	DOE 2017



O3IP

Wide Multi-Deck Island Merchandiser
8' & 12' (Produce) Double Wrap-Around Ends

SECOND NATURE DATA								
Case Model	No. Of Coils	Application	Front Sill Type	BTUH/ft (DR)		GPM/ft (DR)	Supply Fluid Temp (°F)	Discharge Air Temp (°F)
				Conventional	Parallel			
O3IP	2	Cut Produce	Standard	1045	946	0.79	20	34

SECOND NATURE DATA								
Case Model	No. of Coils	Application	Front Sill Type	No. of Defrosts	Timed Off Defrost		Warm Fluid Defrost	
					Fail-Safe (Min)	Termination Temp (°F)	Fail-Safe (Min)	Termination Temp (°F)
O3IP	2	Cut Produce	Standard	4	60	47	26	49

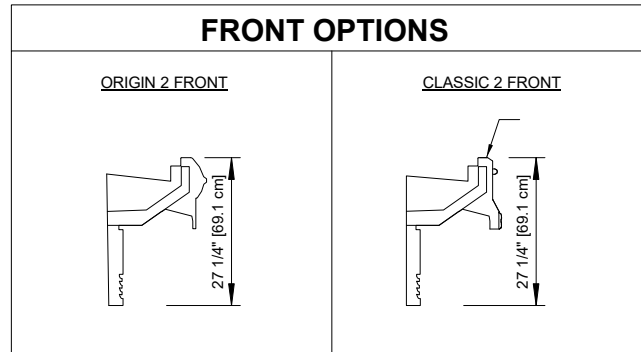


ALL MEASUREMENTS ARE TAKEN PER ASHRAE-72-2005 SPECIFICATIONS. HILLPHOENIX REFRIGERATED DISPLAY CASES FOR SALE IN THE UNITED STATES MEET OR EXCEED DEPARTMENT OF ENERGY 2017 REQUIREMENTS.

O3IP

Rev Date:	Rev #	Revision Description:
7-11-18	2	NEW STANDARDS
12-1-17	1	DOE 2017

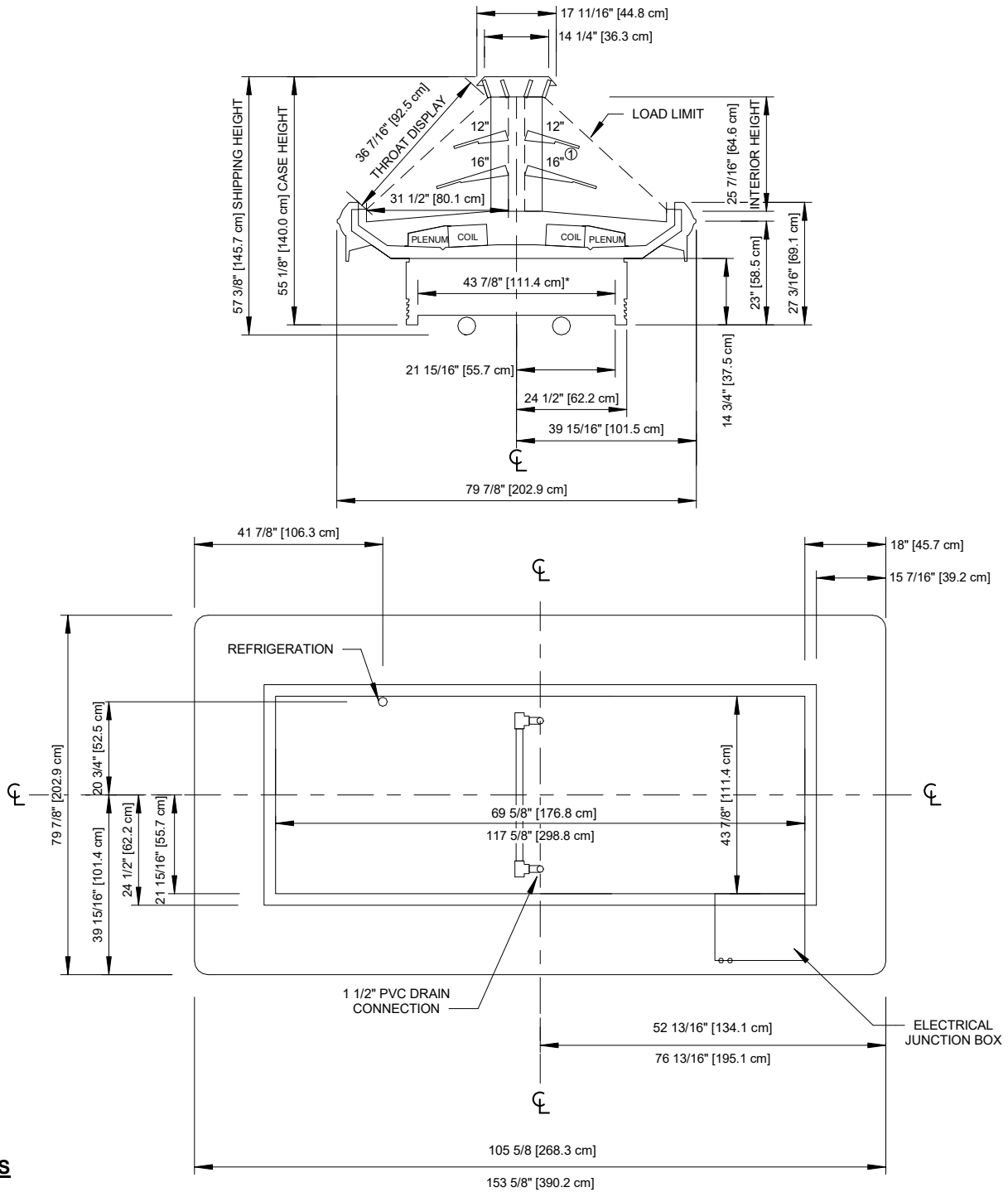
Hillphoenix
A BOWEN COMPANY



ALL MEASUREMENTS ARE TAKEN PER ASHRAE-72-2005 SPECIFICATIONS. HILLPHOENIX REFRIGERATED DISPLAY CASES FOR SALE IN THE UNITED STATES MEET OR EXCEED DEPARTMENT OF ENERGY 2017 REQUIREMENTS.

O3IP

Rev Date:	Rev #	Revision Description:
7-11-18	2	NEW STANDARDS
12-1-17	1	DOE 2017



NOTES

- * :STUB-UP AREA
- ① :AVAILABLE SHELF SIZES: 12" & 16"
- Front and center sill heights vary with base frame height.



O3IP

ALL MEASUREMENTS ARE TAKEN PER ASHRAE-72-2005 SPECIFICATIONS. HILLPHOENIX REFRIGERATED DISPLAY CASES FOR SALE IN THE UNITED STATES MEET OR EXCEED DEPARTMENT OF ENERGY 2017 REQUIREMENTS.

Rev Date:	Rev #	Revision Description:
7-11-18	2	NEW STANDARDS
12-1-17	1	DOE 2017