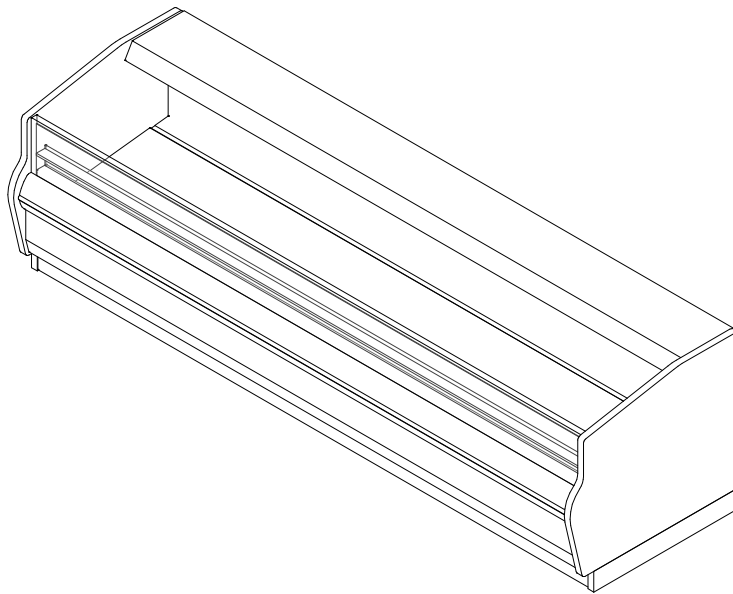


GENERAL NOTES:

- "---" indicates that the feature is not an option with this model and/or the data is not yet available.



SHIPPING WEIGHT	
Case	Weight
OMZD	---



ALL MEASUREMENTS ARE TAKEN PER ASHRAE-72-2005 SPECIFICATIONS. HILLPHOENIX REFRIGERATED DISPLAY CASES FOR SALE IN THE UNITED STATES MEET OR EXCEED DEPARTMENT OF ENERGY 2017 REQUIREMENTS.

OMZD

Rev. Date	Rev. #	Rev. Title
5-29-19	3	DATA UPDATE
5-9-18	2	NEW STANDARDS

ELECTRICAL DATA									
Case Length	Fans Per Case	High Efficiency Fans		Anti Condensate Heaters		Defrost Heaters			
		Open Case		120 Volts		208 Volts		240 Volts	
		120 Volt		Amps	Watts	Amps	Watts	Amps	Watts
4'	2	0.30	22	0.30	36.0	7.7	1600	8.9	2130
6'	2	0.30	22	0.50	60.0	8.7	1800	10	2400
8'	2	0.30	22	0.67	82.0	11.5	2400	13.30	3195
12'	3	0.45	33	1.00	120.0	17.3	3600	20	4795

LIGHTING DATA							
Case Length	Lights per row	Light Length	Clearvoyant v4 LED Lighting (Per Light Row)				
			Standard Power (Cornice or Shelf)		High Power (Cornice Only)		
			120 Volts		120 Volts		
Amps	Watts	Amps	Watts	Amps	Watts		
4'	1	4'	0.05	5.9	0.12	14.9	
6'	2	3'	0.08	9.4	0.20	23.8	
8'	2	4'	0.10	11.8	0.25	29.8	
12'	3	4'	0.15	17.7	0.37	44.7	

GUIDELINES AND CONTROL DATA							
Application	Case Type	BTUH/ft		Superheat Set Point @ Bulb (°F)	Evaporator (°F)	Discharge Air (°F)	Discharge Air Velocity (FPM)
		Conventional	Parallel				
Frozen Food	Open	463	424	3 - 5	-17	-5	155
Ice Cream	Open	484	444	3 - 5	-27	-14	155

DEFROST CONTROLS						
Case Type	Defrosts Per Day	Run Off Time (Min)	Electric Defrost		Hot Gas Defrost	
			Fail-Safe (Min)	Termination Temp (°F)	Fail Safe (Min)	Termination Temp (°F)
Open	2	13 - 15	60	55	30	70

NOTES:

- "---" indicates that the feature is not an option with this model.
- Listed discharge air velocity represents the average velocity at the peak of defrost.
- Temperature and defrost settings listed above are recommended start-up settings. Final operational settings may need to be adjusted for the store conditions in which the case operates.
- The recommended evaporator temperatures may need to be adjusted based on system setup, store conditions, etc. The minimum recommended evaporator temperature is 4°F below the listed evaporator temperature.
- Electric defrost is recommended for low temperature applications.

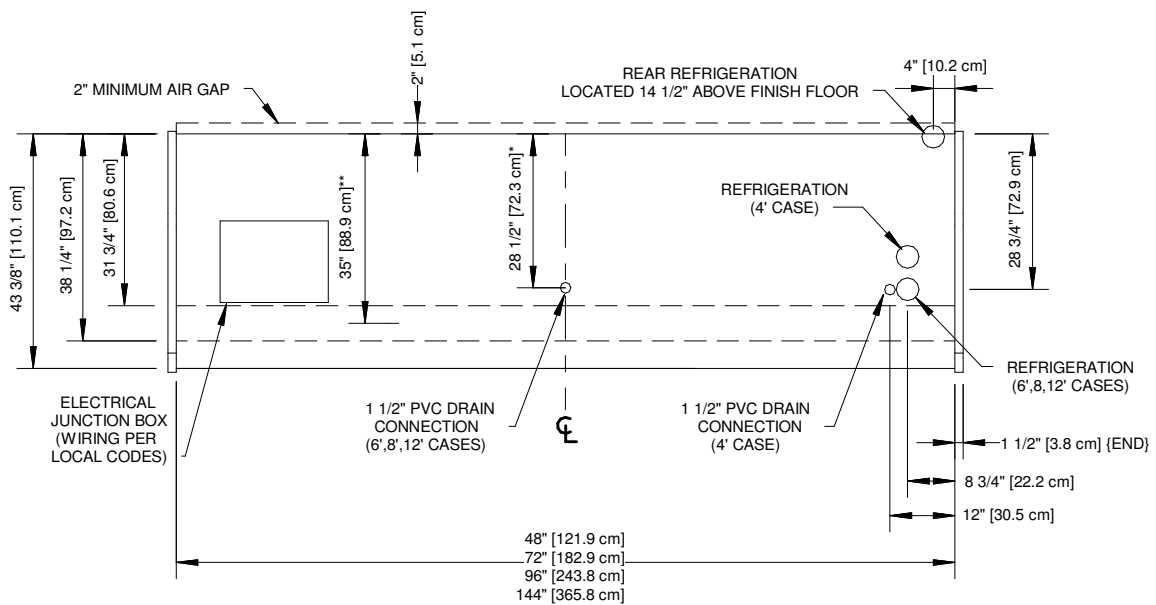
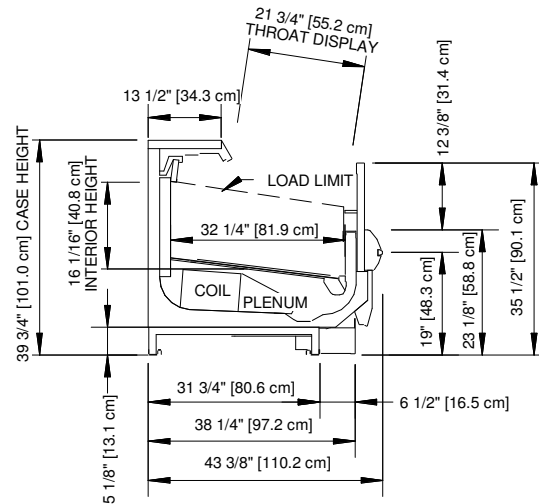


OMZD

ALL MEASUREMENTS ARE TAKEN PER ASHRAE-72-2005 SPECIFICATIONS. HILLPHOENIX REFRIGERATED DISPLAY CASES FOR SALE IN THE UNITED STATES MEET OR EXCEED DEPARTMENT OF ENERGY 2017 REQUIREMENTS.

Rev. Date	Rev. #	Rev. Title
5-29-19	3	DATA UPDATE
5-9-18	2	NEW STANDARDS





NOTES:

- * : STUB-UP AREA
- ** : RECOMMENDED STUB-UP CENTERLINE FOR ELECTRICAL AND HUB DRAINS

- Ends add approximately 1" to case height, 1" to the front, and 1/2" to the back



ALL MEASUREMENTS ARE TAKEN PER ASHRAE-72-2005 SPECIFICATIONS. HILLPHOENIX REFRIGERATED DISPLAY CASES FOR SALE IN THE UNITED STATES MEET OR EXCEED DEPARTMENT OF ENERGY 2017 REQUIREMENTS.

OMZD

Rev. Date	Rev. #	Rev. Title
5-29-19	3	DATA UPDATE
5-9-18	2	NEW STANDARDS

