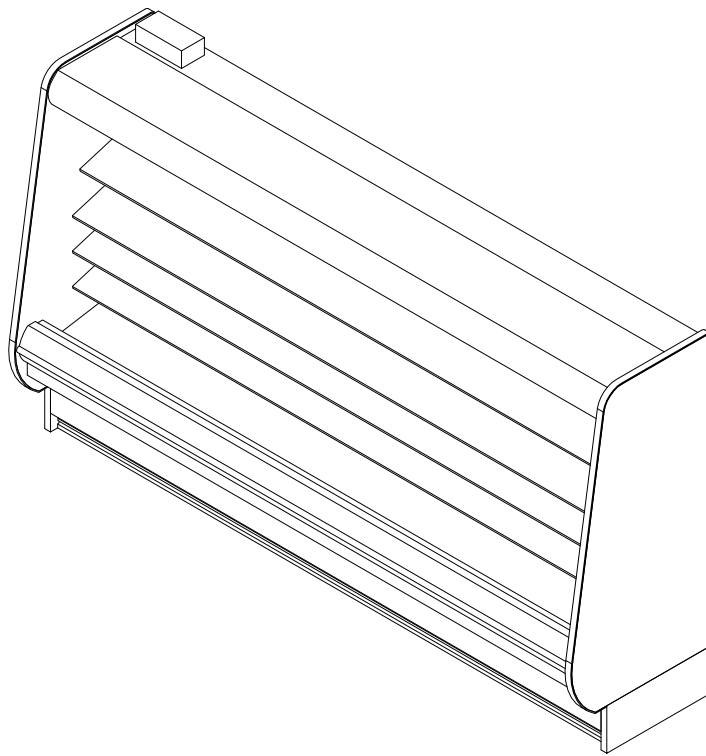


ONHMH-NRG

High Multi-Deck Merchandiser with Synerg-E™
4', 6', 8' & 12' (Deli / Meat)

GENERAL NOTES:

- "---" indicates that the feature is not an option for this case model and/or the data is not yet available.
- LED lights only.
- Maximum of 5 rows of Standard Output LED lighted shelves.



SHIPPING WEIGHT	
Case	Weight
ONHMH-NRG	---



ALL MEASUREMENTS ARE TAKEN PER ASHRAE-72-2005 SPECIFICATIONS. HILLPHOENIX REFRIGERATED DISPLAY CASES FOR SALE IN THE UNITED STATES MEET OR EXCEED DEPARTMENT OF ENERGY 2017 REQUIREMENTS.

ONHMH-NRG

Rev. Date	Rev. #	Rev. Title
2-13-19	4	ENDVIEW UPDATE
9-19-18	3	DATA UPDATE

Hillphoenix
A DOVER COMPANY

ONHMH-NRG

High Multi-Deck Merchandiser with Synerg-E™
4', 6', 8' & 12' (Deli / Meat)

ELECTRICAL DATA			
Case Length	Fans Per Case	High Efficiency Fans	
		120 Volt	
		Amps	Watts
4'	2	0.50	36.0
6'	3	0.75	54.0
8'	3	0.75	54.0
12'	4	1.00	72.0

LIGHTING DATA					
Case Length	Lights per row	Clearvoyant v4 LED Lighting (Per Light Row)			
		Standard Power (Cornice or Shelf)		High Power (Cornice Only)	
		120 Volts		120 Volts	
		Amps	Watts	Amps	Watts
4'	1	0.05	5.9	0.12	14.9
6'	2	0.08	9.4	0.20	23.8
8'	2	0.10	11.8	0.25	29.9
12'	3	0.15	17.6	0.37	44.8

GUIDELINES AND CONTROL SETTINGS						
Front Sill height	BTUH/ft		Superheat Set Point @ Bulb (°F)	Evaporator (°F)	Discharge Air (°F)	Discharge Air Velocity (FPM)
	Conventional	Parallel				
All Others	1450	1345	6 - 8	26	30	220
Standard	1550	1450	6 - 8	26	30	220

DEFROST CONTROLS		
Defrosts Per Day	Timed-Off Defrost	
	Fail-Safe (Min)	Termination Temp (°F)
6	40	47

NOTES:

- "---" indicates that the feature is not an option for this case model and/or the data is not yet available.
- Extended front sills are required on meat applications to maintain proper product temperature. An extended front has a minimum height of 24" on a 5" baseframe, or 30" on an 11" baseframe.
- Listed BTUH/ft data represent unlighted shelves. For LED lighting, add 9 BTUH/ft to determine Total Case Lighting BTUH Load.
- BTUH load increases by 132 BTUH/ft when aftermarket merchandising accessories are utilized.
- Listed evaporator temperature represents unlighted shelves. For lighted shelves and/or aftermarket merchandising accessories, reduce the listed evaporator temperature by 2°F.
- Conventional Discharge Air Control – Recommended Settings: Cut-In Temp = Discharge Air + 2°F; Cut-Out Temp = Discharge Air - 2°F.
- Listed discharge air velocity represents the average velocity immediately after defrost.
- Temperature and defrost settings listed above are recommended start-up settings. Final operational settings may need to be adjusted for the store conditions in which the case operates.
- The recommended evaporator temperatures may need to be adjusted based on system setup, store conditions, etc. The minimum recommended evaporator temperature is 4°F below the listed evaporator temperature.



ALL MEASUREMENTS ARE TAKEN PER ASHRAE-72-2005 SPECIFICATIONS. HILLPHOENIX REFRIGERATED DISPLAY CASES FOR SALE IN THE UNITED STATES MEET OR EXCEED DEPARTMENT OF ENERGY 2017 REQUIREMENTS.

ONHMH-NRG

Rev. Date	Rev. #	Rev. Title
2-13-19	4	ENDVIEW UPDATE
9-19-18	3	DATA UPDATE

Hillphoenix
A DOVER COMPANY

ONHMH-NRG

High Multi-Deck Merchandiser with Synerg-E™
4', 6', 8' & 12' (Deli / Meat)

SECOND NATURE DATA								
Case Model	No. of Coils	Application	Front Sill Type	BTUH/ft (DR)		GPM/ft (DR)	Supply Fluid Temp (F)	Discharge Air Temp (F)
				Conventional	Parallel			
ONHMH-NRG	1	Meat	Standard	1525	1334	0.39	20	30
ONHMH-NRG	1	Meat	All Others	1468	1285	0.37	20	30
ONHMH-NRG	1	Meat	Standard	1525	1334	0.92	25	30
ONHMH-NRG	1	Meat	All Others	1468	1285	0.89	25	30

SECOND NATURE DATA								
Case Model	No. of Coils	Application	Front Sill Type	No. of Defrost	Timed Off Defrost		Warm Fluid Defrost	
					Fail Safe (Min)	Termination Temp (F)	Fail Safe (Min)	Termination Temp (F)
ONHMH-NRG	1	Meat	Standard	6	45	47	26	49
ONHMH-NRG	1	Meat	All Others	6	45	47	26	49
ONHMH-NRG	1	Meat	Standard	6	45	47	26	49
ONHMH-NRG	1	Meat	All Others	6	45	47	26	49



ALL MEASUREMENTS ARE TAKEN PER ASHRAE-72-2005 SPECIFICATIONS. HILLPHOENIX REFRIGERATED DISPLAY CASES FOR SALE IN THE UNITED STATES MEET OR EXCEED DEPARTMENT OF ENERGY 2017 REQUIREMENTS.

ONHMH-NRG

Rev. Date	Rev. #	Rev. Title
2-13-19	4	ENDVIEW UPDATE
9-19-18	3	DATA UPDATE



A DOVER COMPANY

CORNICHE OPTIONS		CURVED CORNICHE	CURVED CORNICHE WITH NIGHT COVER	FACETED CORNICHE	FACETED CORNICHE WITH NIGHT COVER	FLAT CORNICHE	FLAT CORNICHE WITH STANDARD NIGHT COVER
		27 5/8"	30 7/8"	27 1/2"	30 3/4"	26 3/4"	29 3/8"
FRONT OPTIONS	FLAT FRONT 2	STANDARD FRONT 11" BASEFRAME: 28 3/16" [71.5 cm] 5" BASEFRAME: 22 5/16" [56.7 cm]		EXTENDED STANDARD FRONT 11" BASEFRAME: 33 1/16" [84.0 cm] 5" BASEFRAME: 27" [68.6 cm]		6" THERMOPANE FRONT 11" BASEFRAME: 33 7/16" [84.9 cm] 5" BASEFRAME: 27 3/8" [69.5 cm]	
	FLAT FRONT	STANDARD FRONT 11" BASEFRAME: 27 1/16" [68.7 cm] 5" BASEFRAME: 21 3/16" [53.8 cm]		EXTENDED STANDARD FRONT 11" BASEFRAME: 30" [76.2 cm] 5" BASEFRAME: 24 1/8" [61.3 cm]		6" THERMOPANE FRONT 11" BASEFRAME: 33 1/8" [84.1 cm] 5" BASEFRAME: 27 1/4" [69.1 cm]	
	CLASSIC 2 METAL	STANDARD FRONT 11" BASEFRAME: 27 1/16" [68.7 cm] 5" BASEFRAME: 21 3/16" [53.7 cm]		EXTENDED STANDARD FRONT 11" BASEFRAME: 30" [76.2 cm] 5" BASEFRAME: 24 1/8" [61.3 cm]		6" THERMOPANE FRONT 11" BASEFRAME: 33 1/8" [84.2 cm] 5" BASEFRAME: 27 1/4" [69.3 cm]	
	CLASSIC 2 POLYMER	STANDARD FRONT 11" BASEFRAME: 27 1/16" [68.7 cm] 5" BASEFRAME: 21 3/16" [53.7 cm]		EXTENDED STANDARD FRONT 11" BASEFRAME: 30" [76.2 cm] 5" BASEFRAME: 24 1/8" [61.3 cm]		6" THERMOPANE FRONT 11" BASEFRAME: 33 1/8" [84.2 cm] 5" BASEFRAME: 27 1/4" [69.3 cm]	
	ORIGIN 2	STANDARD FRONT 11" BASEFRAME: 27 1/16" [68.7 cm] 5" BASEFRAME: 21 3/16" [53.8 cm]		EXTENDED STANDARD FRONT 11" BASEFRAME: 30" [76.2 cm] 5" BASEFRAME: 24 1/8" [61.3 cm]		6" THERMOPANE FRONT 11" BASEFRAME: 33 1/8" [84.2 cm] 5" BASEFRAME: 27 1/4" [69.3 cm]	

NOTES:

- Front sill and overall case height varies with base frame height.
- Extended front sills are required on meat applications to maintain proper product temperature. An extended front has a minimum height of 24" on a 5" baseframe, or 30" on an 11" baseframe.



ALL MEASUREMENTS ARE TAKEN PER ASHRAE-72-2005 SPECIFICATIONS. HILLPHOENIX REFRIGERATED DISPLAY CASES FOR SALE IN THE UNITED STATES MEET OR EXCEED DEPARTMENT OF ENERGY 2017 REQUIREMENTS.

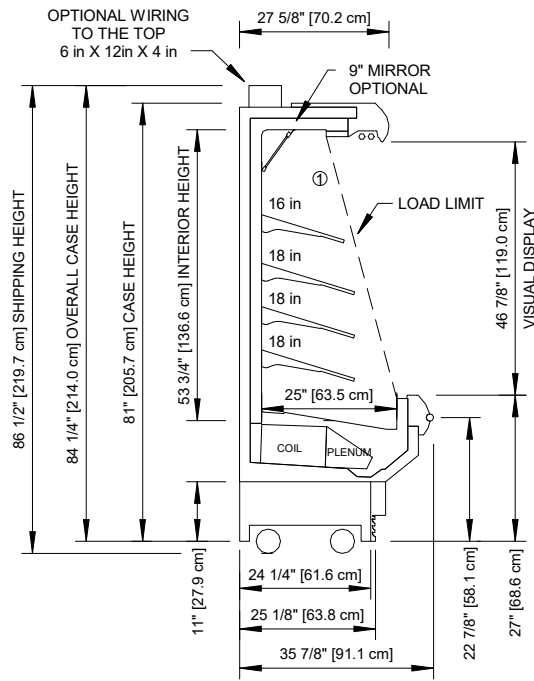
ONHMH-NRG

Rev. Date	Rev. #	Rev. Title
2-13-19	4	ENDVIEW UPDATE
9-19-18	3	DATA UPDATE

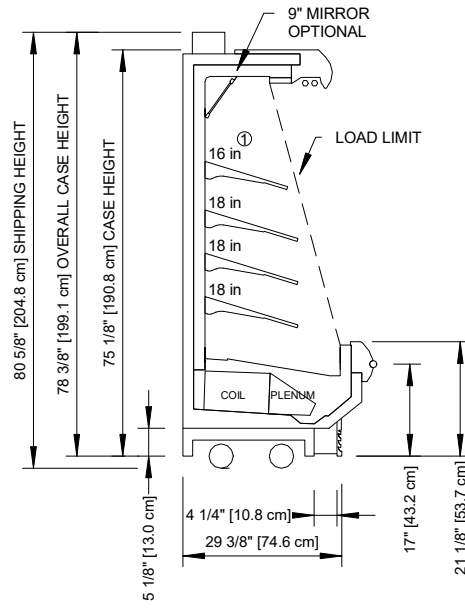


ONHMH-NRG

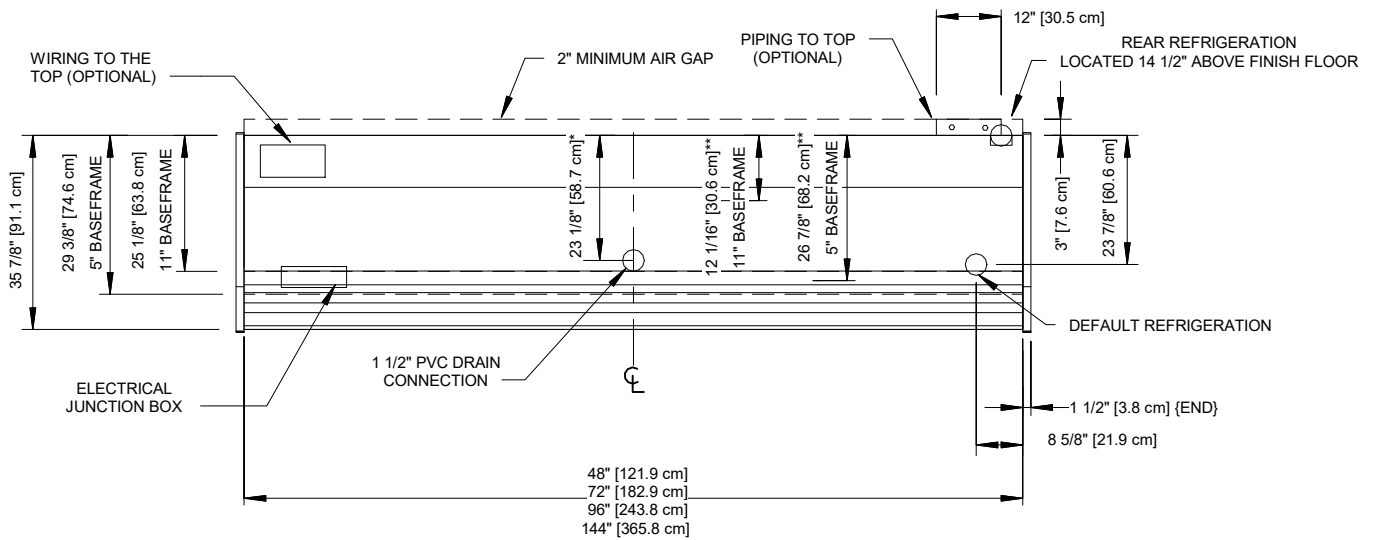
High Multi-Deck Merchandiser with Synerg-E™
4', 6', 8' & 12' (Deli / Meat)



11" BASEFRAME



5" BASEFRAME



NOTES:

- * : STUB-UP AREA
- ** : RECOMMENDED STUB-UP CENTERLINE FOR ELECTRICAL AND DRAINS
- Ⓛ : AVAILABLE SHELF SIZES: 10", 12", 14", 16", & 18" (TOP SHELF MUST BE 16" OR SHORTER)

- Back panels add approximately 1" to the rear of the case.
- Ends add approximately 1" to case height, 1/2" to the back & 1" to the front



ALL MEASUREMENTS ARE TAKEN PER ASHRAE-72-2005 SPECIFICATIONS. HILLPHOENIX REFRIGERATED DISPLAY CASES FOR SALE IN THE UNITED STATES MEET OR EXCEED DEPARTMENT OF ENERGY 2017 REQUIREMENTS.

ONHMH-NRG

Rev. Date	Rev. #	Rev. Title
2-13-19	4	ENDVIEW UPDATE
9-19-18	3	DATA UPDATE

