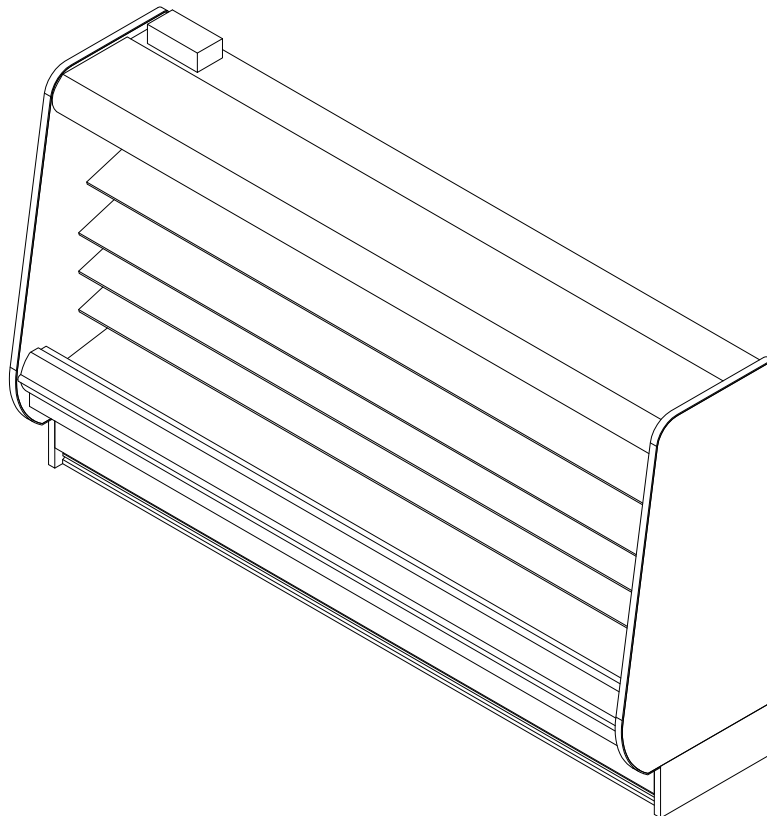


**GENERAL NOTES:**

- "---" indicates that the feature is not an option for this case model and/or the data is not yet available.
- LED lights only.
- Maximum of 5 rows of Standard Output LED lighted shelves.



SHIPPING WEIGHT	
Case	Weight
ONHMH-NRG	---



COMPONENT

ALL MEASUREMENTS ARE TAKEN PER ASHRAE-72-2005 SPECIFICATIONS. HILLPHOENIX REFRIGERATED DISPLAY CASES FOR SALE IN THE UNITED STATES MEET OR EXCEED DEPARTMENT OF ENERGY 2017 REQUIREMENTS.

## ONHMH-NRG

Rev Date:	Rev #	Revision Description:
9-19-18	3	DATA UPDATE
6-21-18	2	NEW STANDARDS

ELECTRICAL DATA			
Case Length	Fans Per Case	High Efficiency Fans	
		120 Volt	
		Amps	Watts
4'	2	0.50	36.0
6'	3	0.75	54.0
8'	3	0.75	54.0
12'	4	1.00	72.0

LIGHTING DATA					
Case Length	Lights per row	Clearvoyant v4 LED Lighting (Per Light Row)			
		Standard Power (Cornice or Shelf)		High Power (Cornice Only)	
		120 Volts		120 Volts	
		Amps	Watts	Amps	Watts
4'	1	0.05	5.9	0.12	14.9
6'	2	0.08	9.4	0.20	23.8
8'	2	0.10	11.8	0.25	29.9
12'	3	0.15	17.6	0.37	44.8

GUIDELINES AND CONTROL SETTINGS						
Front Sill height	BTUH/ft		Superheat Set Point @ Bulb (°F)	Evaporator (°F)	Discharge Air (°F)	Discharge Air Velocity (FPM)
	Conventional	Parallel				
All Others	1450	1345	6 - 8	26	30	220
Standard	1550	1450	6 - 8	26	30	220

DEFROST CONTROLS		
Defrosts Per Day	Timed-Off Defrost	
	Fail-Safe (Min)	Termination Temp (°F)
6	40	47

**NOTES:**

- "---" indicates that the feature is not an option for this case model and/or the data is not yet available.
- Extended front sills are required on meat applications to maintain proper product temperature. An extended front has a minimum height of 24" on a 5" baseframe, or 30" on an 11" baseframe.
- Listed BTUH/ft data represent unlighted shelves. For LED lighting, add 9 BTUH/ft to determine Total Case Lighting BTUH Load.
- BTUH load increases by 132 BTUH/ft when aftermarket merchandising accessories are utilized.
- Listed evaporator temperature represents unlighted shelves. For lighted shelves and/or aftermarket merchandising accessories, reduce the listed evaporator temperature by 2°F.
- Conventional Discharge Air Control – Recommended Settings: Cut-In Temp = Discharge Air + 2°F; Cut-Out Temp = Discharge Air - 2°F.
- Listed discharge air velocity represents the average velocity immediately after defrost.
- Temperature and defrost settings listed above are recommended start-up settings. Final operational settings may need to be adjusted for the store conditions in which the case operates.
- The recommended evaporator temperatures may need to be adjusted based on system setup, store conditions, etc. The minimum recommended evaporator temperature is 4°F below the listed evaporator temperature.



**ONHMH-NRG**

ALL MEASUREMENTS ARE TAKEN PER ASHRAE-72-2005 SPECIFICATIONS. HILLPHOENIX REFRIGERATED DISPLAY CASES FOR SALE IN THE UNITED STATES MEET OR EXCEED DEPARTMENT OF ENERGY 2017 REQUIREMENTS.

Rev Date:	Rev #	Revision Description:
9-19-18	3	DATA UPDATE
6-21-18	2	NEW STANDARDS



SECOND NATURE DATA								
Case Model	No. of Coils	Application	Front Sill Type	BTUH/ft (DR)		GPM/ft (DR)	Supply Fluid Temp (F)	Discharge Air Temp (F)
				Conventional	Parallel			
ONHMH-NRG	1	Meat	Standard	1525	1334	0.39	20	30
ONHMH-NRG	1	Meat	All Others	1468	1285	0.37	20	30
ONHMH-NRG	1	Meat	Standard	1525	1334	0.92	25	30
ONHMH-NRG	1	Meat	All Others	1468	1285	0.89	25	30

SECOND NATURE DATA								
Case Model	No. of Coils	Application	Front Sill Type	No. of Defrost	Timed Off Defrost		Warm Fluid Defrost	
					Fail Safe (Min)	Termination Temp (F)	Fail Safe (Min)	Termination Temp (F)
ONHMH-NRG	1	Meat	Standard	6	45	47	26	49
ONHMH-NRG	1	Meat	All Others	6	45	47	26	49
ONHMH-NRG	1	Meat	Standard	6	45	47	26	49
ONHMH-NRG	1	Meat	All Others	6	45	47	26	49



COMPONENT

ALL MEASUREMENTS ARE TAKEN PER ASHRAE-72-2005 SPECIFICATIONS. HILLPHOENIX REFRIGERATED DISPLAY CASES FOR SALE IN THE UNITED STATES MEET OR EXCEED DEPARTMENT OF ENERGY 2017 REQUIREMENTS.

## ONHMH-NRG

Rev Date:	Rev #	Revision Description:
9-19-18	3	DATA UPDATE
6-21-18	2	NEW STANDARDS

CORNICHE OPTIONS	CURVED CORNICHE	CURVED CORNICHE WITH NIGHT COVER	FACETED CORNICHE	FACETED CORNICHE WITH NIGHT COVER	FLAT CORNICHE	FLAT CORNICHE WITH STANDARD NIGHT COVER	
	27 5/8" 	30 7/8" 	27 1/2" 	30 3/4" 	26 3/4" 	29 3/8" 	
FRONT OPTIONS	FLAT FRONT 2	STANDARD FRONT  28 3/16" [71.5 cm] 11" BASEFRAME	EXTENDED STANDARD FRONT  33 1/16" [84.0 cm] 11" BASEFRAME	6" THERMOPANE FRONT  33 7/16" [84.9 cm] 11" BASEFRAME	STANDARD FRONT  22 5/16" [56.7 cm] 5" BASEFRAME	EXTENDED STANDARD FRONT  27" [68.6 cm] 5" BASEFRAME	6" THERMOPANE FRONT  27 3/8" [69.5 cm] 5" BASEFRAME
	FLAT FRONT	STANDARD FRONT  27 1/16" [68.7 cm] 11" BASEFRAME	EXTENDED STANDARD FRONT  30" [76.2 cm] 11" BASEFRAME	6" THERMOPANE FRONT  33 1/8" [84.1 cm] 11" BASEFRAME	STANDARD FRONT  21 3/16" [53.8 cm] 5" BASEFRAME	EXTENDED STANDARD FRONT  24 1/8" [61.3 cm] 5" BASEFRAME	6" THERMOPANE FRONT  27 1/4" [69.1 cm] 5" BASEFRAME
	CLASSIC 2 METAL	STANDARD FRONT  27 1/16" [68.7 cm] 11" BASEFRAME	EXTENDED STANDARD FRONT  30" [76.2 cm] 11" BASEFRAME	6" THERMOPANE FRONT  33 1/8" [84.2 cm] 11" BASEFRAME	STANDARD FRONT  21 3/16" [53.7 cm] 5" BASEFRAME	EXTENDED STANDARD FRONT  24 1/8" [61.3 cm] 5" BASEFRAME	6" THERMOPANE FRONT  27 1/4" [69.3 cm] 5" BASEFRAME
	CLASSIC 2 POLYMER	STANDARD FRONT  27 1/16" [68.7 cm] 11" BASEFRAME	EXTENDED STANDARD FRONT  30" [76.2 cm] 11" BASEFRAME	6" THERMOPANE FRONT  33 1/8" [84.2 cm] 11" BASEFRAME	STANDARD FRONT  21 3/16" [53.7 cm] 5" BASEFRAME	EXTENDED STANDARD FRONT  24 1/8" [61.3 cm] 5" BASEFRAME	6" THERMOPANE FRONT  27 1/4" [69.3 cm] 5" BASEFRAME
	ORIGIN 2	STANDARD FRONT  27 1/16" [68.7 cm] 11" BASEFRAME	EXTENDED STANDARD FRONT  30" [76.2 cm] 11" BASEFRAME	6" THERMOPANE FRONT  33 1/8" [84.2 cm] 11" BASEFRAME	STANDARD FRONT  21 3/16" [53.8 cm] 5" BASEFRAME	EXTENDED STANDARD FRONT  24 1/8" [61.3 cm] 5" BASEFRAME	6" THERMOPANE FRONT  27 1/4" [69.3 cm] 5" BASEFRAME

### NOTES:

- Front sill and overall case height varies with base frame height.
- Extended front sills are required on meat applications to maintain proper product temperature. An extended front has a minimum height of 24" on a 5" baseframe, or 30" on an 11" baseframe.



COMPONENT

ALL MEASUREMENTS ARE TAKEN PER ASHRAE-72-2005 SPECIFICATIONS. HILLPHOENIX REFRIGERATED DISPLAY CASES FOR SALE IN THE UNITED STATES MEET OR EXCEED DEPARTMENT OF ENERGY 2017 REQUIREMENTS.

### ONHMH-NRG

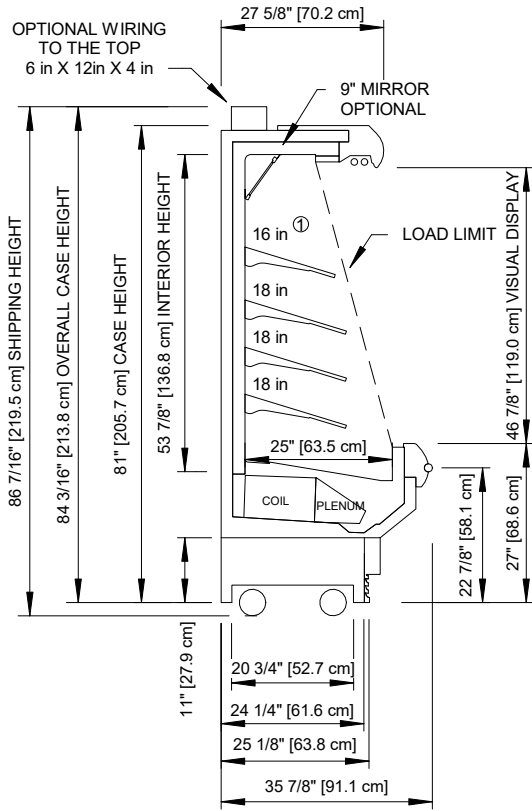
Rev Date:	Rev #	Revision Description:
9-19-18	3	DATA UPDATE
6-21-18	2	NEW STANDARDS

**Hillphoenix**

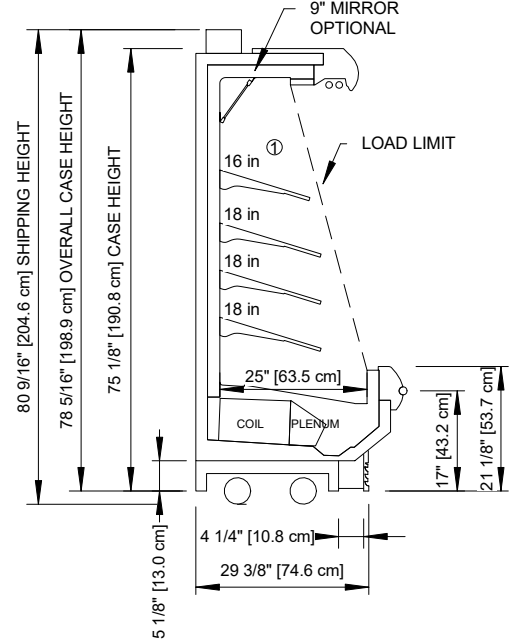
A DOVER COMPANY

# ONHMH-NRG

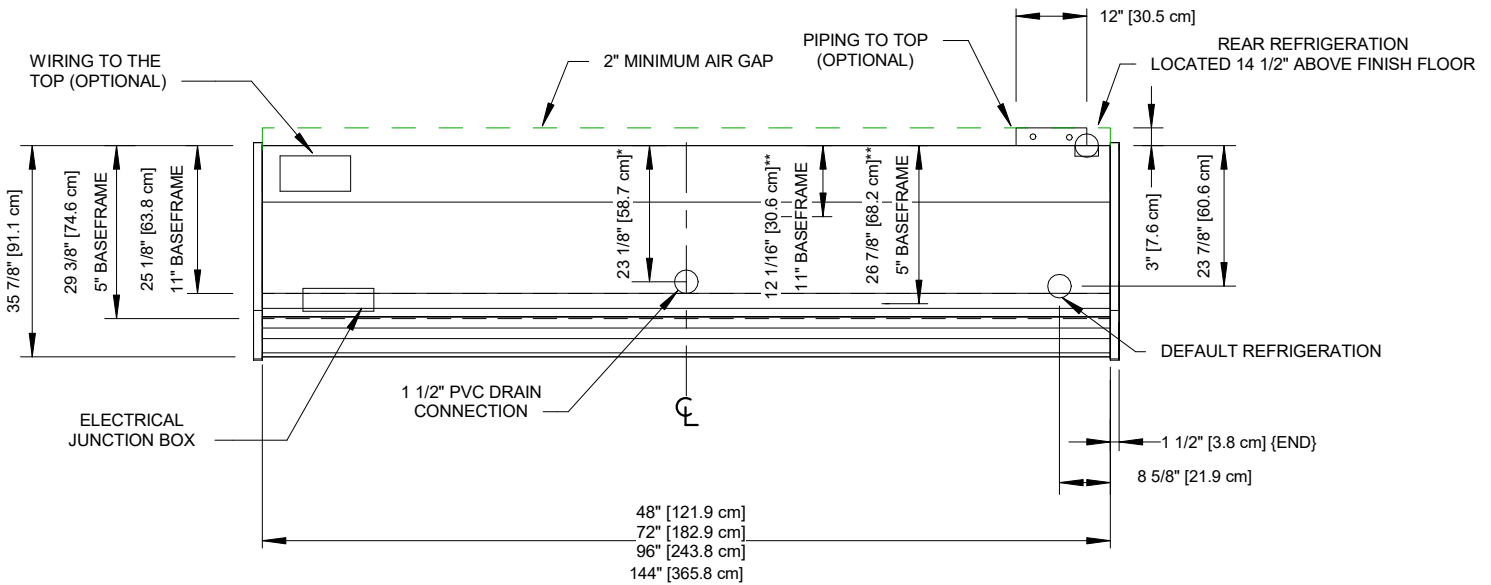
## High Multi-Deck Merchandiser with Synerg-E™ 4', 6', 8' & 12' (Deli / Meat)



**11" BASEFRAME**



**5" BASEFRAME**



**NOTES:**

- \* : STUB-UP AREA
- \*\* : RECOMMENDED STUB-UP CENTERLINE FOR ELECTRICAL AND DRAINS
- ① : AVAILABLE SHELF SIZES: 10", 12", 14", 16", & 18" (TOP SHELF MUST BE 16" OR SHORTER)

- Back panels add approximately 1" to the rear of the case.
- Ends add approximately 1" to case height, 1/2" to the back & 1" to the front



**ONHMH-NRG**

ALL MEASUREMENTS ARE TAKEN PER ASHRAE-72-2005 SPECIFICATIONS. HILLPHOENIX REFRIGERATED DISPLAY CASES FOR SALE IN THE UNITED STATES MEET OR EXCEED DEPARTMENT OF ENERGY 2017 REQUIREMENTS.

Rev Date:	Rev #	Revision Description:
9-19-18	3	DATA UPDATE
6-21-18	2	NEW STANDARDS

