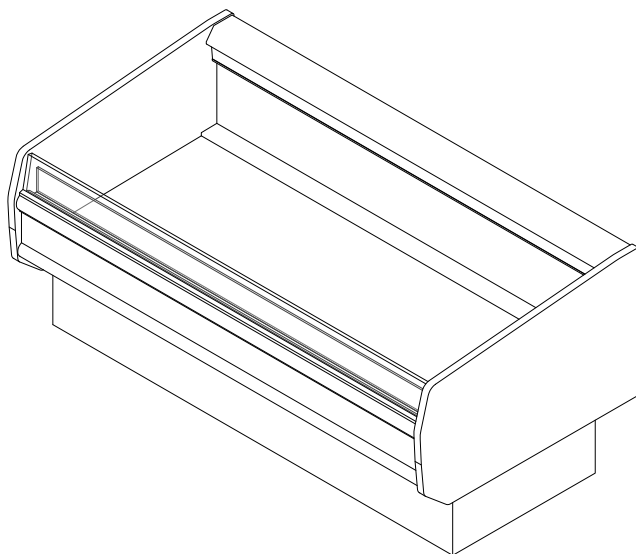


GENERAL NOTES:

- For export cases, a NEMA L6-30 electrical plug is used.



SHIPPING WEIGHT	
Case	Weight
OWMA	---



ALL MEASUREMENTS ARE TAKEN PER ASHRAE-72-2005 SPECIFICATIONS. HILLPHOENIX REFRIGERATED DISPLAY CASES FOR SALE IN THE UNITED STATES MEET OR EXCEED DEPARTMENT OF ENERGY 2017 REQUIREMENTS.

OWMA

Rev Date:	Rev #	Revision Description:
5/9/2018	2	NEW STANDARDS
12/1/2017	1	DOE 2017

SYSTEM REQUIREMENTS				
Volts	Phase	Frequency (Hz)	Plug Style	Cord Length
208	1	60	NEMA L14-30P	10'

GUIDELINES AND CONTROL SETTINGS				
24hr Energy Usage (kWh)	Suction Pressure @ Case Outlet (psig)	Superheat Set Point @ Bulb (°F)	Discharge Air (°F)	Discharge Air Velocity (FPM)
27.1	57.2	6-8	25	390

CONDENSING UNIT DATA							
Volts	Phase	Frequency (Hz)	Horsepower	Running Load Amps (RLA) (Amps)	Locked Rotor Amps (LRA) (Amps)	Refrigerant	Lbs. of Refrigerant
208 V	1	60	1/2	5.3	26.5	R404A	3.58

DEFROST CONTROLS		
Defrost Per Day	Timed-Off Defrost	
	Fail-Safe (Min)	Termination Temp
3	50	46

NOTES:

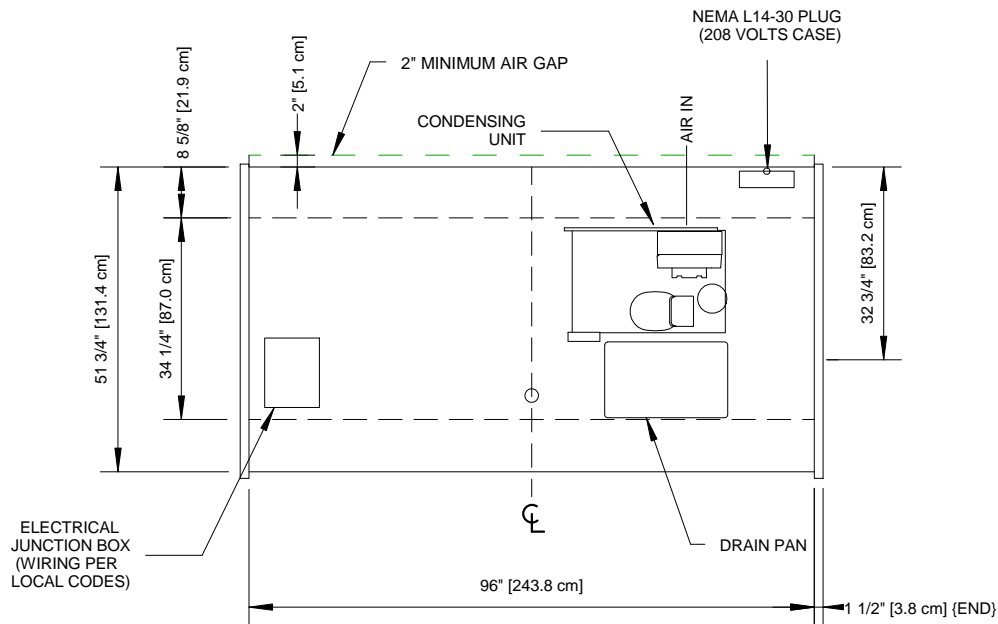
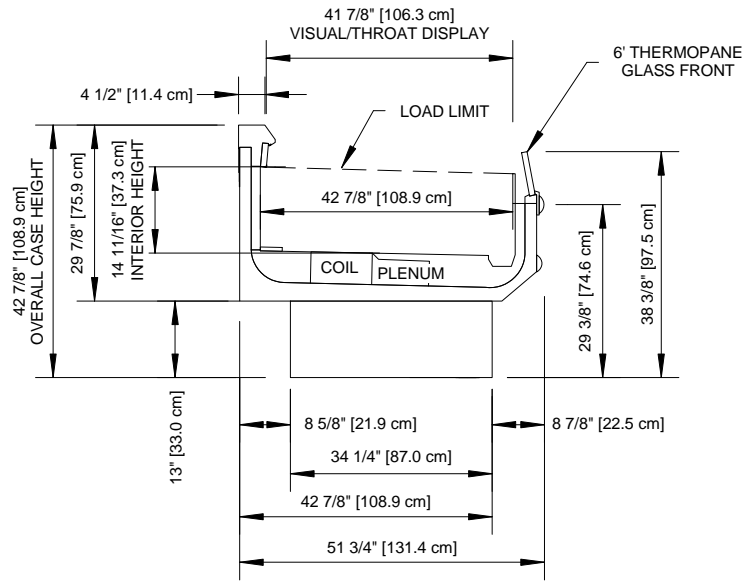
- "-" indicates that the feature is not an option on this case model.
- Listed discharge air velocity represents the average velocity at the peak of defrost.
- Timed-off defrost is recommended for medium temperature applications.
- Temperature and defrost settings listed above are recommended start-up settings. Final operational settings may need to be adjusted for the store conditions in which the case operates.
- The recommended evaporator temperatures may need to be adjusted based on system setup, store conditions, etc. The minimum recommended evaporator temperature is 4°F below the listed evaporator temperature.



OWMA

ALL MEASUREMENTS ARE TAKEN PER ASHRAE-72-2005 SPECIFICATIONS. HILLPHOENIX REFRIGERATED DISPLAY CASES FOR SALE IN THE UNITED STATES MEET OR EXCEED DEPARTMENT OF ENERGY 2017 REQUIREMENTS.

Rev Date:	Rev #	Revision Description:
5/9/2018	2	NEW STANDARDS
12/1/2017	1	DOE 2017



NOTES:

- Ends add approximately 1" to case height, 1" to the front and 1/2" to the back



OWMA

ALL MEASUREMENTS ARE TAKEN PER ASHRAE-72-2005 SPECIFICATIONS. HILLPHOENIX REFRIGERATED DISPLAY CASES FOR SALE IN THE UNITED STATES MEET OR EXCEED DEPARTMENT OF ENERGY 2017 REQUIREMENTS.

Rev Date:	Rev #	Revision Description:
5/9/2018	2	NEW STANDARDS
12/1/2017	1	DOE 2017