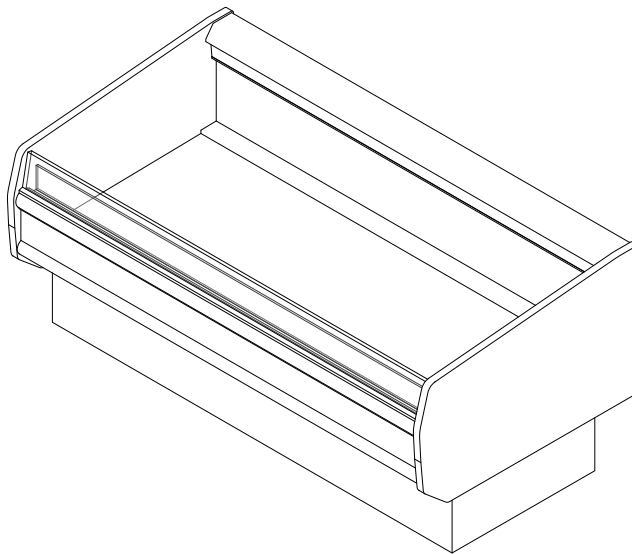


GENERAL NOTES:

- For export cases, a NEMA L6-30 electrical plug is used.



SHIPPING WEIGHT

Case	Weight
OWZA	---



ALL MEASUREMENTS ARE TAKEN PER ASHRAE-72-2005 SPECIFICATIONS. HILLPHOENIX REFRIGERATED DISPLAY CASES FOR SALE IN THE UNITED STATES MEET OR EXCEED DEPARTMENT OF ENERGY 2017 REQUIREMENTS.

OWZA

Rev Date:	Rev #	Revision Description:
5-9-18	2	NEW STANDARDS
12-1-17	1	DOE 2017

SYSTEM REQUIREMENTS				
Volts	Phase	Frequency (Hz)	Plug Style	Cord Length
208	1	60	NEMA L14-30P	10'
230	1	60	NEMA L6-30	10'

GUIDELINES AND CONTROL SETTINGS					
Application	24hr Energy Usage (kWh)	Suction Pressure @ Case Outlet (psig)	Superheat Set Point @ Bulb (°F)	Discharge Air (°F)	Discharge Air Velocity (FPM)
Medium Temp	9.3	60.8	6-8	26	200
Low Temp	13.5	16.3	6-8	-17	200

CONDENSING UNIT DATA (2 Units/Case)							
Application	Phase	Frequency (Hz)	Horsepower	Running Load Amps (RLA) (Amps)	Locked Rotor Amps (LRA) (Amps)	Refrigerant	Lbs. of Refrigerant
Medium Temp	1	60	1	9.0	43.0	R404A	5
Low Temp	1	60	2	18.0	86.0	R404A	10

DEFROST CONTROLS					
Application	Defrost Per Day	Electric Defrost		Timed-Off Defrost	
		Fail-Safe	Termination Temp (°F)	Fail-Safe (Min)	Termination Temp
Medium Temp	3	---	---	50	46
Low Temp	2	50	46	50	46

NOTES:

- Listed discharge air velocity represents the average velocity at the peak of defrost.
- "- - -" indicates that the feature is not an option on this case model.
- Electric defrost is recommended for low temperature applications.
- Timed-off defrost is recommended for medium temperature applications.
- Temperature and defrost settings listed above are recommended start-up settings. Final operational settings may need to be adjusted for the store conditions in which the case operates.
- The recommended evaporator temperatures may need to be adjusted based on system setup, store conditions, etc. The minimum recommended evaporator temperature is 4°F below the listed evaporator temperature.

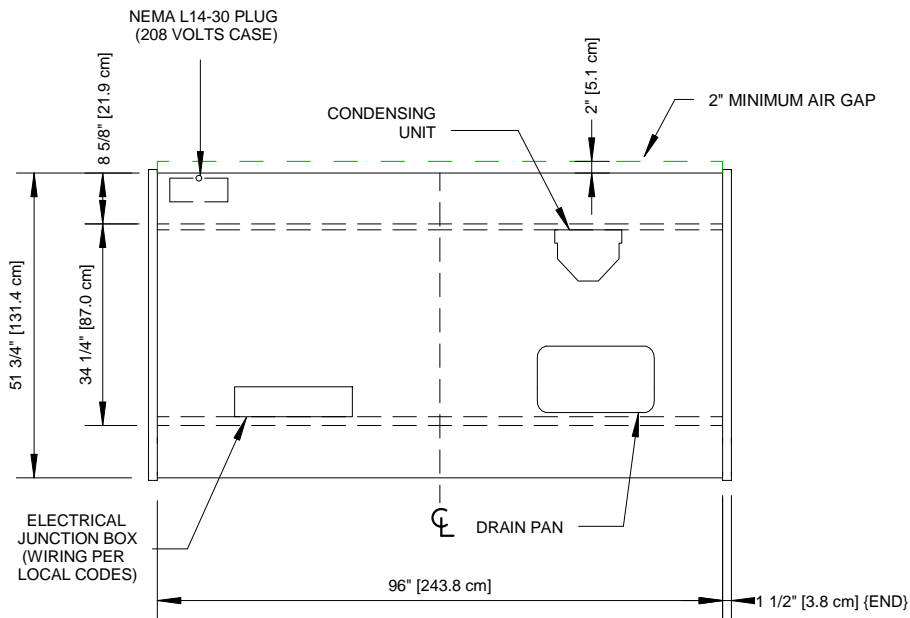
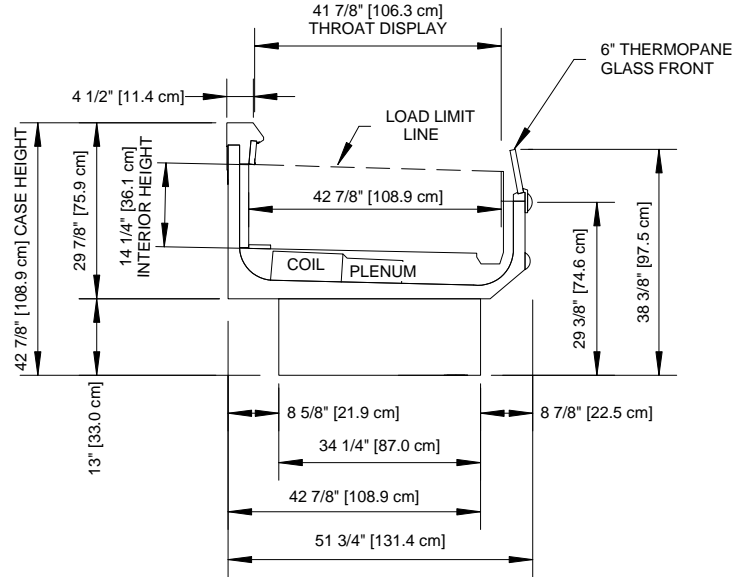


OWZA

ALL MEASUREMENTS ARE TAKEN PER ASHRAE-72-2005 SPECIFICATIONS. HILLPHOENIX REFRIGERATED DISPLAY CASES FOR SALE IN THE UNITED STATES MEET OR EXCEED DEPARTMENT OF ENERGY 2017 REQUIREMENTS.

Rev Date:	Rev #	Revision Description:
5-9-18	2	NEW STANDARDS
12-1-17	1	DOE 2017





NOTES:

- Ends add approximately 1" to case height, 1" to the front and 1/2" to the back



ALL MEASUREMENTS ARE TAKEN PER ASHRAE-72-2005 SPECIFICATIONS. HILLPHOENIX REFRIGERATED DISPLAY CASES FOR SALE IN THE UNITED STATES MEET OR EXCEED DEPARTMENT OF ENERGY 2017 REQUIREMENTS.

OWZA

Rev Date:	Rev #	Revision Description:
5-9-18	2	NEW STANDARDS
12-1-17	1	DOE 2017