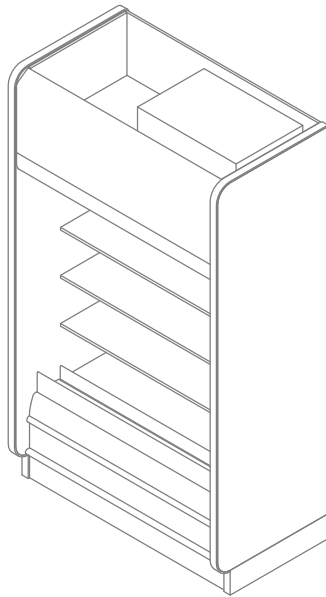


ONNSA - HIGH HUMIDITY

Narrow Multi-Deck Self-Contained Merchandiser
47" (Dairy)

GENERAL NOTES

- " - - -" indicates that feature is not an option with this case model and/or available at this time



SHIPPING WEIGHT	
Case	Weight
ONNSA	- - -



ALL MEASUREMENTS ARE TAKEN PER ASHRAE-72-2005 SPECIFICATIONS. HILLPHOENIX REFRIGERATED DISPLAY CASES FOR SALE IN THE UNITED STATES MEET OR EXCEED DEPARTMENT OF ENERGY 2017 REQUIREMENTS.

ONNSA - HIGH HUMIDITY

Rev Date:	Rev #	Revision Description:
7-16-18	2	Layout Update
3-29-17	1	DOE 2017

Hillphoenix
A DOVER COMPANY

ONNSA - HIGH HUMIDITY

Narrow Multi-Deck Self-Contained Merchandiser
47" (Dairy)

SYSTEM REQUIREMENTS					
Case Length	Volts	Phase	Frequency (Hz)	Minimum Circuit Amp	Maximum Overcurrent Protection
47"	120	1	60	27.28	40
47"	208	3	60	16.76	25

ELECTRICAL DATA									
Case Length	Fans Per Case	High Efficiency Fans		Drain Pump		Evap Pan Heater			
		120 Volts		120 Volts		120 Volts		208 Volts	
		Amps	Watts	Amps	Watts	Amps	Watts	Amps	Watts
47"	3	0.70	53	0.90	55	8.33	1000	4.81	1000

LIGHTING DATA						
Case Length	Lights Per Row	Light Length	Clearvoyant v4 LED Lighting (Per Light Row)			
			Standard Power (Cornice or Shelf)		High Power (Cornice Only)	
			120 Volts		120 Volts	
			Amps	Watts	Amps	Watts
47"	2	3'	0.04	4.7	0.10	11.9

GUIDELINES AND CONTROL SETTINGS				
Case Length	Suction Pressure (psig) @ Case Outlet	Superheat Set Point (°F) @ Bulb	Discharge Air (°F)	Discharge Air Velocity (FPM)
47"	59.0	6-8	31	230

CONDENSING UNIT DATA							
Case Length	Volts	Phase	Frequency (Hz)	Horsepower	Running Load Amps (RLA) (Amps)	Locked Rotor Amps (LRA) (Amps)	Refrigerant
47"	120	1	60		14.6	77.0	R404A
47"	208	3	60	25	9.0	43.0	R404A

DEFROST CONTROLS				
Case Length	Defrosts Per Day	Timed-Off Defrost		Termination Probe Location
		Fail-Safe (Min)	Termination Temp (°F)	
47"	24	9	37	Drop Tube

NOTES:

- Listed discharge air velocity represents the average velocity at the peak of defrost.
- Temperature and defrost settings listed above are recommended start-up settings. Final operational settings may need to be adjusted for the store conditions in which the case operates.
- LED lights only.
- Maximum of 4 rows of standard output LED lighted shelves.



ONNSA - HIGH HUMIDITY

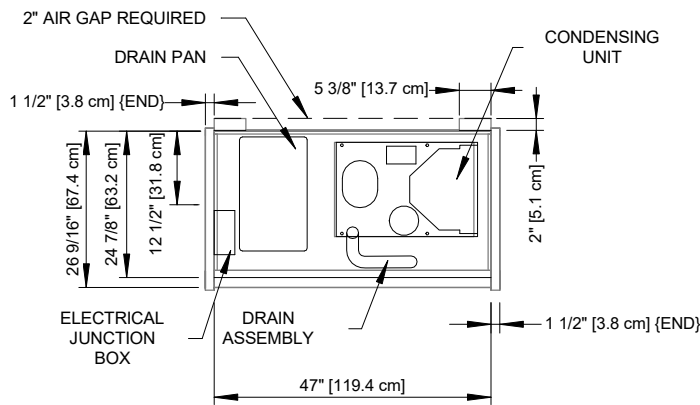
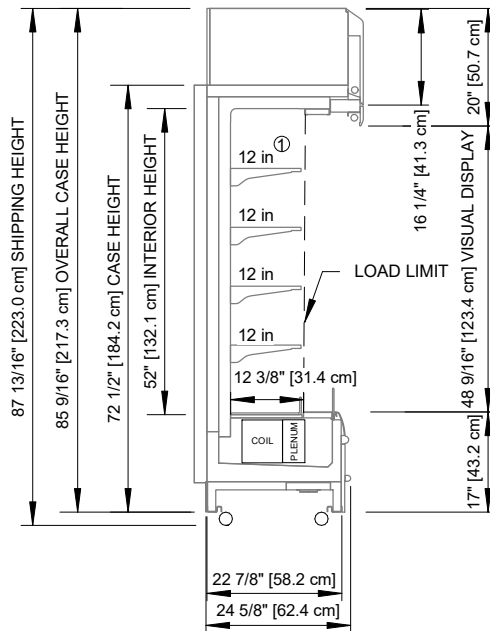
ALL MEASUREMENTS ARE TAKEN PER ASHRAE-72-2005 SPECIFICATIONS. HILLPHOENIX REFRIGERATED DISPLAY CASES FOR SALE IN THE UNITED STATES MEET OR EXCEED DEPARTMENT OF ENERGY 2017 REQUIREMENTS.

Rev Date:	Rev #	Revision Description:
7-16-18	2	Layout Update
3-29-17	1	DOE 2017



ONNSA - HIGH HUMIDITY

Narrow Multi-Deck Self-Contained Merchandiser
47" (Dairy)



NOTES

①: AVAILABLE SHELF SIZES: 12"

- ends add approximately 1" to case height, 1/2" to the back & 1" to the front
- ends also available in 1" widths



COMPONENT

ALL MEASUREMENTS ARE TAKEN PER ASHRAE-72-2005 SPECIFICATIONS. HILLPHOENIX REFRIGERATED DISPLAY CASES FOR SALE IN THE UNITED STATES MEET OR EXCEED DEPARTMENT OF ENERGY 2017 REQUIREMENTS.

ONNSA - HIGH HUMIDITY

Rev Date:	Rev #	Revision Description:
7-16-18	2	Layout Update
3-29-17	1	DOE 2017

Hillphoenix
A DOVER COMPANY