

Hillphoenix

A DOVER COMPANY

**The
SFC
Group**

*Solutions for
convenience sake*



CLARITY® reach-in merchandisers, customized with the ideal frame and door options, deliver superior performance for every need.

Multiple sizes and configurations help store merchandisers provide unique refrigeration options and enhanced product displays to create a superior shopper experience.

CLARITY
Reach-In Merchandisers from Hillphoenix

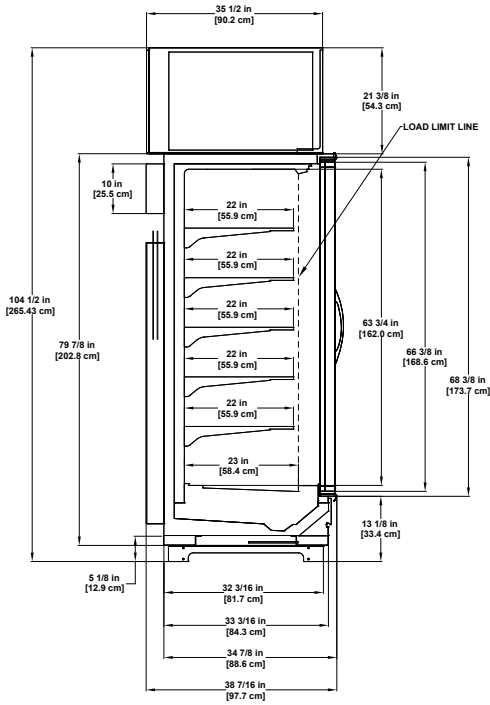
Photo may depict options not included on standard models.

JNRZ(B)HA/JNRZ(B)HSA

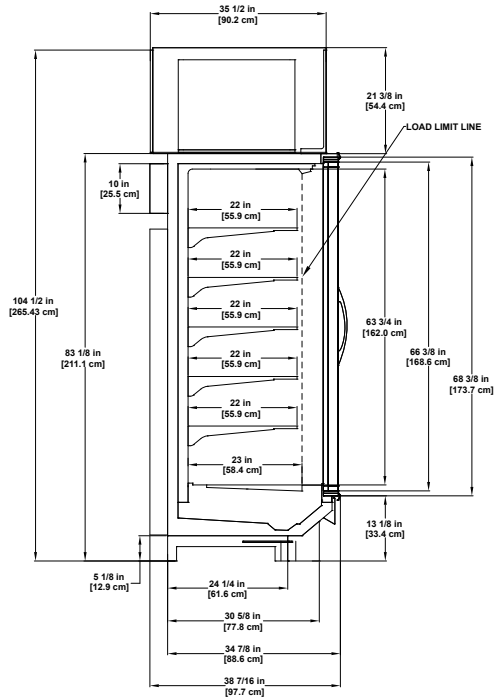
Self-Contained Glass Door Reach-In

Medium and low temperature merchandisers for dairy, deli, bakery, meat, beverage, frozen food and ice cream.

JNRZ(B)HA / JNRZ(B)HSA
Self-Contained Glass Door Reach-In



JNRZ(B)HSA - Field-Installed Condensing Unit*



JNRZ(B)HA - Factory-Installed Condensing Unit

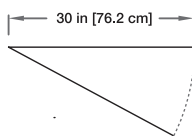
Please consult Hillphoenix Engineering Reference Manual for dimensions, plan views and technical specifications. Specifications subject to change without notice. Designed for optional performance in store environments where temperature and humidity do not exceed 75 degrees and 55% R.H. Certified to UP 471 and ANSI/NSF Standard 7.

Designed for optimal performance in store environments where temperatures and humidity do not exceed 75°F and 55%R.H.

Base Model Features

- Bottom-located refrigeration components facilitate serviceability and allow for full top shelf merchandising.
- Proprietary Synerg-E® technology with NRGcoil™ and energy-efficient fan motors ensures uniform case performance and lower average product temperatures with optimum energy efficiency.
- Low temp and medium temp cases line up seamlessly for consistency in store design.
- LED lighting for energy efficiency and a stunning merchandise display.
- 22" shelves for maximum display capacity.
- 63-3/4" front facings with no planogram restrictions.
- Removable castors for easy merchandiser unloading, movement and installation.

STANDARD SWING DOOR
 2, 3, 4 & 5 DOOR CASES



Door Options

Consult Hillphoenix Engineering Reference Manual for more available options.

Available Options

- 2, 3, 4 & 5 door with 30" standard swing doors.
- Variety of door rail profiles, finishes and handles.
- Low temp doors - Anthony® Infinity 90, ELM D, ELMH.
- Medium temp doors - Anthony Infinity 90 & ELM D.
- For a wall of infinity edge glass, choose Infinity 90 door option.
- Modbus controller for ease of use.
- Motion sensors for additional energy savings.
- Cases can ship with the condensing unit factory or field-installed:
 - Factory-installed condensing units (JNRZHA, JNRBHA) ship fully piped and plumbed with single-point wiring for easy installation.
 - Field-installed condensing units (JNRZHSA, JNRZHSA) ship with minimal assembly required and incorporate a special baseframe option allowing it to fit through an 80" door. And a loading dock is not required because the design incorporates a special low base on wheels and a condensing unit that is installed on site.



2016 Gees Mill Road
 Conyers, GA USA
 844.591.5937
 hillphoenix.com

©2018 Hillphoenix, Inc.

SFC-JNRZ(B)v0818

* Specialized Base Frame: Case fits through 80" doorway with shipping undercarriage removed. 2" lifting brackets (installed) & 3.25" ship loose risers combine for 5" base frame once installed. Drain traps ship loose.