

Self-Service Open Multi-Deck Island Merchandiser

HVI 4' DEEP & 67" TALL REMOTE - 406 & 408

Electrical Data

Model		Fans per Case	High Efficiency Fans		Anti-Condensate Fans		Drain Heaters		Optional Defrost Heaters	
			120 Volts		120 Volts		120 Volts		208 Volts	
			Amps	Watts	Amps	Watts	Amps	Watts	Amps	Watts
HVI-4	406	4	1.2	144	---	---	---	---	---	---
	408	4	1.2	144	---	---	---	---	---	---

Lighting Data (Cornice)

Model		(Lights per Row) Light Length (in)	Clearvoyant 4 LED Lighting (Per Light Row)	
			Standard Power (Cornice ²)	
			120 Volts	
			Amps	Watts
HVI-4	406	(4) 6" + (4) 12" + (2) 24"	0.18	17.88
	408	(4) 6" + (4) 12" + (2) 24"	0.22	21.64

Lighting Data (Shelf)

Model		(Lights per Row) Light Length (in)	Clearvoyant 4 LED Lighting (Per Light Row)	
			Standard Power (Shelf)	
			120 Volts	
			Amps	Watts
HVI-4	406	(6) 6" + (2) 24"	0.12	12.48
	408	(6) 6" + (2) 24"	0.16	16.24

Guidelines & Control Settings (DX)

Model		Conventional ³ BTUH	Parallel ⁴ BTUH	Superheat Set Point @ Bulb (°F)	Evaporator (°F)	Discharge Air (°F)	Discharge Air ⁵ Velocity (FPM)
HVI-4	406	8707	7938	7-9	26	38	---
	408	10100	11145	7-9	26	---	---

Defrost Controls

Model	Defrosts per Day	Run-Off Time (min)	Electric Defrost		Timed-Off Defrost		Hot Gas Defrost	
			Fail-Safe (min)	Termination Temp (°F)	Fail-Safe (min)	Termination Temp (°F)	Fail-Safe (min)	Termination Temp (°F)
HVI-4	6	---	---	---	60	45	---	---

1 NOTE: "---" indicates data not applicable.

2 High output cornice lights are not available in this case model.

3,4 BTUH values shown include lights.

5 Average discharge air velocity at peak of defrost.

Engineered for stores with ambient conditions not to exceed 75° and 55% relative humidity.

Due to engineering improvements specifications may change without notice.

All measurements are taken per ASHRAE - 72 - 2005 specifications.

Hillphoenix refrigerated display cases for sale in the United States meet or exceed department of energy 2017 efficiency requirements.

Numbers are based on standard case sizes. Consult engineering.



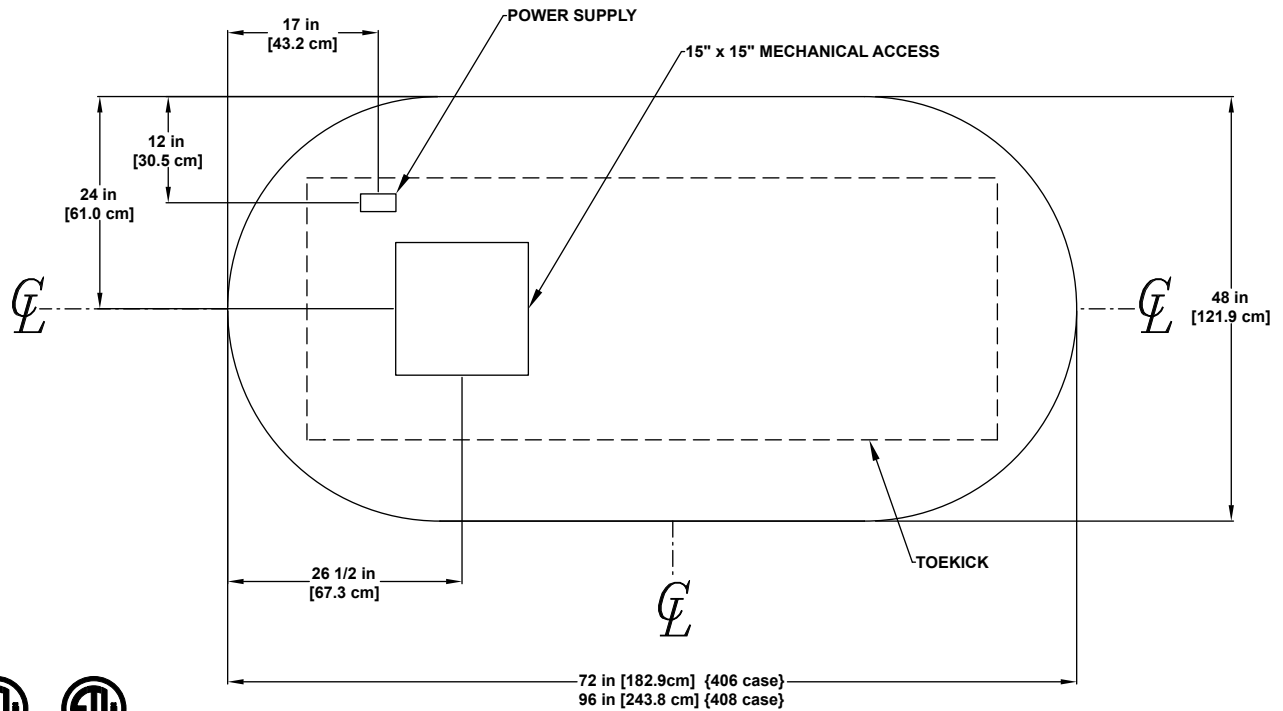
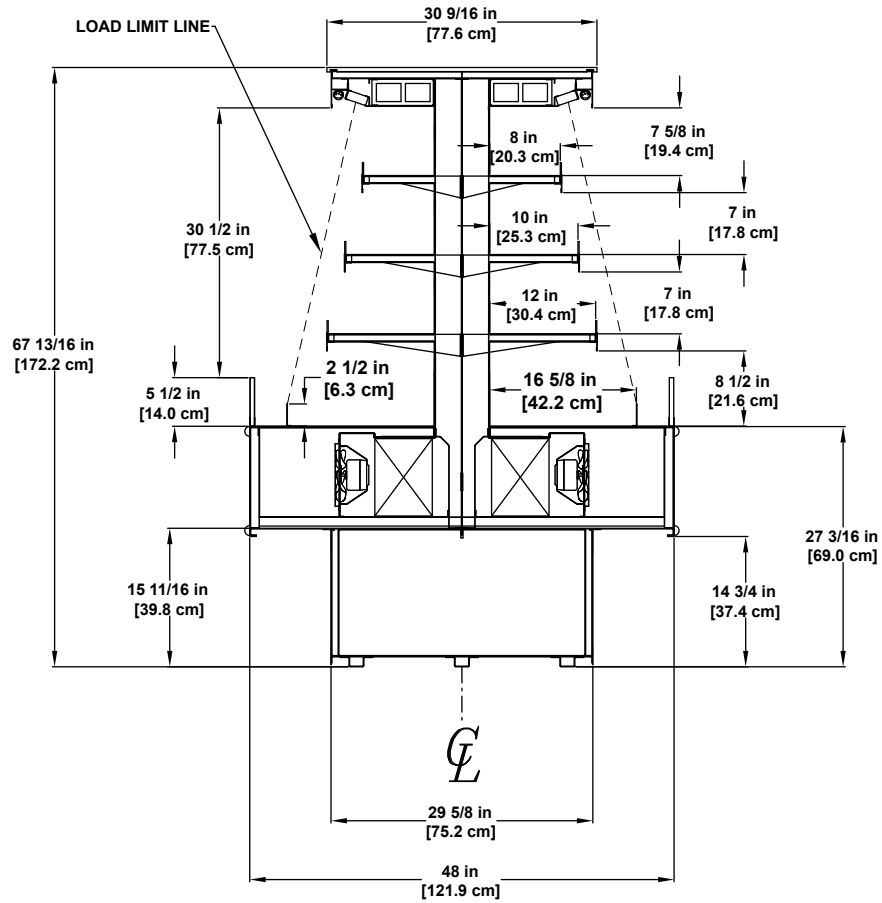
HVI-4-406/408 RADIUS (4' Deep & 67" Tall Remote)

Hillphoenix

A DOVER COMPANY

SELF-SERVICE
MULTI-DECK

Bakery / Beverage / Dairy / Deli / Produce



HVI-4-406/408 CURVED

(4' Deep & 67" Tall Remote)

