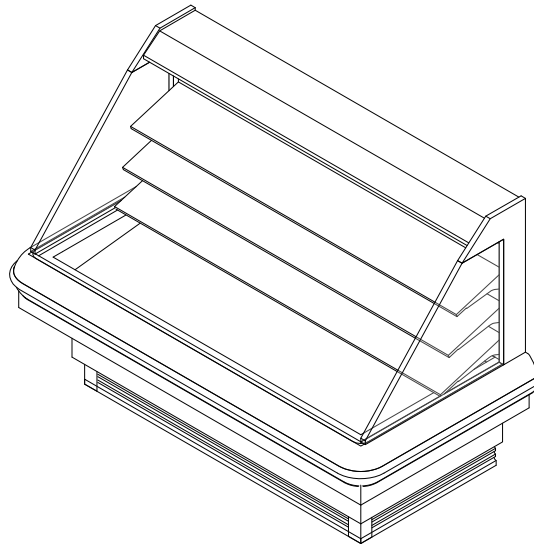


O3.25EM-NRG

Multi-Deck End Cap Merchandiser with Synerg-E™
Endcap (Dairy/Deli/Meat/Produce)

GENERAL NOTES

- "---" indicates that the feature is not an option for this case model and/or the data is not yet available.
- LED lights only.
- Maximum of 3 rows of standard output LED lighted shelves.
- Nose lights are not available.



SHIPPING WEIGHT	
Case	Weight
O3.25EM-NRG	---



COMPONENT

ALL MEASUREMENTS ARE TAKEN PER ASHRAE-72-2005 SPECIFICATIONS. HILLPHOENIX REFRIGERATED DISPLAY CASES FOR SALE IN THE UNITED STATES MEET OR EXCEED DEPARTMENT OF ENERGY 2017 REQUIREMENTS.

O3.25EM-NRG

Rev Date:	Rev #	Revision Description:
9-7-18	3	DATA UPDATE
7-31-18	2	NEW STANDARDS

Hillphoenix
A DOVER COMPANY

03.25EM-NRG

Multi-Deck End Cap Merchandiser with Synerg-E™
Endcap (Dairy/Deli/Meat/Produce)

ELECTRICAL DATA		
Fans Per Case	High Efficiency Fans	
	120 Volts	
	Amps	Watts
2	0.40	28.0

LIGHTING DATA					
Lights per row	Lights Length	Clearvoyant LED Lighting (Per Light Row)			
		Standard Power (Cornice or Shelf)		High Power (Cornice)	
		120 Volts		120 Volts	
		Amps	Watts	Amps	Watts
2	3'	0.08	9.4	0.20	23.8

GUIDELINES AND CONTROL SETTINGS							
Application	Front Sill Height	BTUH/ft		Superheat Set Point @ Bulb (°F)	Evaporator (°F)	Discharge Air (°F)	Discharge Air Velocity (FPM)
		Conventional	Parallel				
Dairy/Deli/Produce	All	4800	4100	6 - 8	28	31	150
Meat	Extended	4890	4180	6 - 8	26	30	150

DEFROST CONTROLS		
Defrosts Per Day	Timed-Off Defrost	
	Fail-Safe (Min)	Termination Temp (°F)
6	30	47

NOTES:

- Listed BTUH/ft data represent unlighted shelves. For LED lighting, add 9 BTUH/ft per row of lighted shelving.
- BTUH load increases by 123 BTUH/ft when aftermarket merchandising accessories are utilized.
- Listed evaporator temperature represents unlighted shelves. For lighted shelves and/or aftermarket merchandising accessories, reduce the listed evaporator temperature by 2°F.
- Conventional Discharge Air Control - Recommended Settings: Cut-in Temp + Discharge Air + 2°F; Cut-Out Temp = Discharge Air - 2°F.
- Listed discharge air velocity represents the average velocity immediately after defrost.
- Temperature and defrost settings listed above are recommended start-up settings. Final operational settings may need to be adjusted for the store conditions in which the case operates.
- The recommended evaporator temperatures may need to be adjusted based on system setup, store conditions, etc. The minimum recommended evaporator temperature is 4°F below the listed evaporator temperature.



03.25EM-NRG

ALL MEASUREMENTS ARE TAKEN PER ASHRAE-72-2005 SPECIFICATIONS. HILLPHOENIX REFRIGERATED DISPLAY CASES FOR SALE IN THE UNITED STATES MEET OR EXCEED DEPARTMENT OF ENERGY 2017 REQUIREMENTS.

Rev Date:	Rev #	Revision Description:
9-7-18	3	DATA UPDATE
7-31-18	2	NEW STANDARDS



O3.25EM-NRG

Multi-Deck End Cap Merchandiser with Synerg-E™
Endcap (Dairy/Deli/Meat/Produce)

REAR SILL OPTIONS	FRONT OPTIONS					
	ORIGIN 2 FRONT				FLAT FRONT FLAT TOP	
STANDARD REAR SILL 8 9/16" [21.7 cm]	STANDARD FRONT 27 1/16" [68.7 cm]	STANDARD FRONT 21 3/16" [53.8 cm]	STANDARD FRONT 27 1/16" [68.7 cm]	STANDARD FRONT 21 3/16" [53.8 cm]	STANDARD FRONT 27 1/16" [68.7 cm]	STANDARD FRONT 21 3/16" [53.8 cm]
12 1/2" REAR SILL 12 7/16" [31.7 cm]	6" THERMOPANE FRONT 33 1/8" [84.2 cm]	6" THERMOPANE FRONT 27 1/4" [69.3 cm]	6" THERMOPANE FRONT 33 1/8" [84.2 cm]	6" THERMOPANE FRONT 27 1/4" [69.3 cm]	6" THERMOPANE FRONT 33 1/8" [84.1 cm]	6" THERMOPANE FRONT 27 1/4" [69.1 cm]
16" REAR SILL (REAR DISCHARGE) 16 1/16" [40.7 cm]	6" PLEXIGLAS FRONT 32 15/16" [83.7 cm]	6" PLEXIGLAS FRONT 27 1/8" [68.8 cm]	6" PLEXIGLAS FRONT 33" [83.8 cm]	6" PLEXIGLAS FRONT 27 1/16" [68.8 cm]	6" PLEXIGLAS FRONT 32 15/16" [83.7 cm]	6" PLEXIGLAS FRONT 27 1/16" [68.8 cm]
	EXTENDED STANDARD FRONT 30" [76.2 cm]	EXTENDED STANDARD FRONT 24 3/16" [61.4 cm]	EXTENDED STANDARD FRONT 30" [76.2 cm]	EXTENDED STANDARD FRONT 24 1/8" [61.3 cm]	EXTENDED STANDARD FRONT 30" [76.2 cm]	EXTENDED STANDARD FRONT 24 1/8" [61.3 cm]
	FLAT FRONT ANGLED TOP					
	STANDARD FRONT 28 1/8" [71.4 cm]	STANDARD FRONT 22 5/16" [56.7 cm]	6" PLEXIGLAS FRONT 32 7/16" [82.3 cm]	6" PLEXIGLAS FRONT 26 5/16" [66.9 cm]		
	6" THERMOPANE FRONT 33 7/16" [84.9 cm]	6" THERMOPANE FRONT 27 3/8" [69.5 cm]	EXTENDED STANDARD FRONT 33" [83.8 cm]	EXTENDED STANDARD FRONT 27" [68.6 cm]		

NOTES:

- Front and rear sill heights vary with base frame height.
- Extended front sills are required for meat applications to maintain proper product temperature. An extended front has a minimum height of 24" on a 5" baseframe, or 30" on an 11" baseframe.



O3.25EM-NRG

ALL MEASUREMENTS ARE TAKEN PER ASHRAE-72-2005 SPECIFICATIONS. HILLPHOENIX REFRIGERATED DISPLAY CASES FOR SALE IN THE UNITED STATES MEET OR EXCEED DEPARTMENT OF ENERGY 2017 REQUIREMENTS.

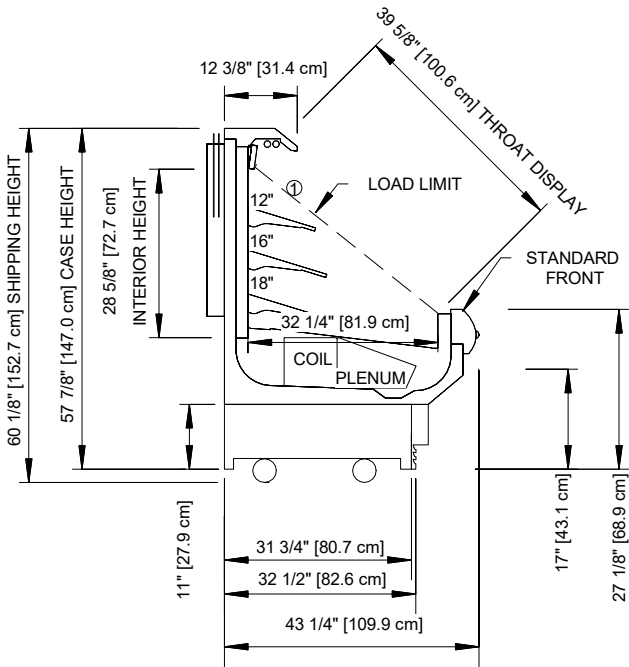
Rev Date:	Rev #	Revision Description:
9-7-18	3	DATA UPDATE
7-31-18	2	NEW STANDARDS



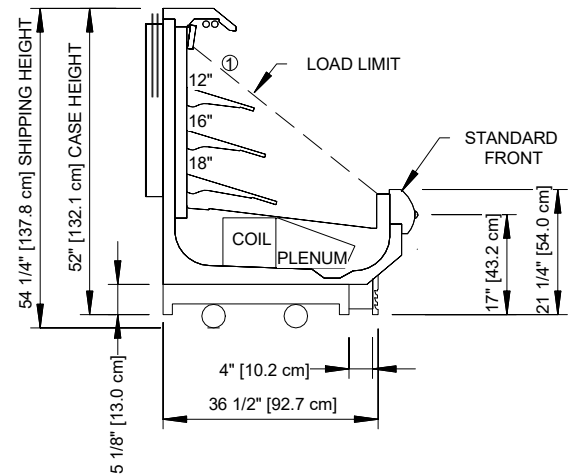
A DOVER COMPANY

03.25EM-NRG

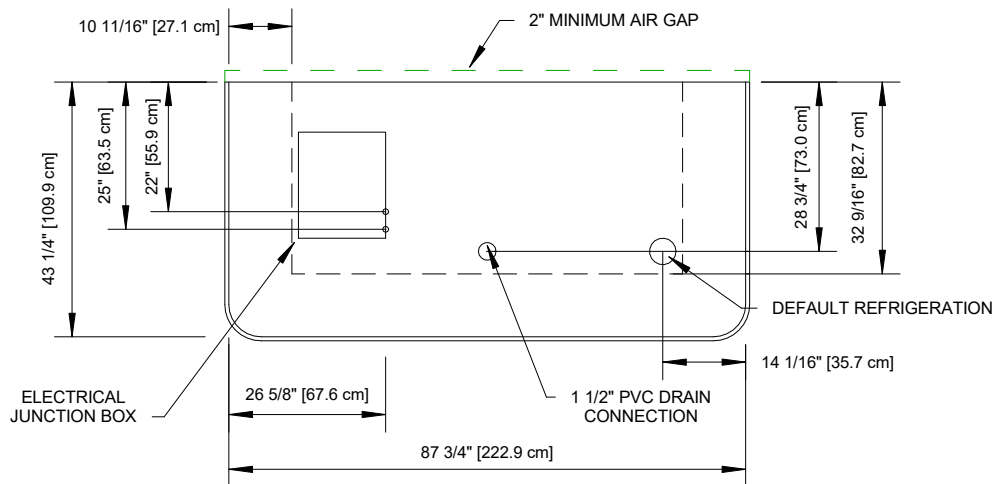
Multi-Deck End Cap Merchandiser with Synerg-E™
Endcap (Dairy/Deli/Meat/Produce)



11" BASE FRAME



5" BASE FRAME



NOTES:

- * : STUB-UP AREA
- ** : RECOMMENDED STUB-UP CENTERLINE FOR ELECTRICAL AND HUB DRAINS
- Ⓛ : AVAILABLE SHELF SIZES: 10", 12", 14", 16", 18", 20" & 22"

- Ends add approximately 1 inch to case height.
- Product on top shelf should be 3 inches below discharge.



03.25EM-NRG

ALL MEASUREMENTS ARE TAKEN PER ASHRAE-72-2005 SPECIFICATIONS. HILLPHOENIX REFRIGERATED DISPLAY CASES FOR SALE IN THE UNITED STATES MEET OR EXCEED DEPARTMENT OF ENERGY 2017 REQUIREMENTS.

Rev Date:	Rev #	Revision Description:
9-7-18	3	DATA UPDATE
7-31-18	2	NEW STANDARDS

