

# (SFC - Small Format Channel) Self-Service Open Multi-Deck Island Merchandiser

## HVI 4' DEEP & 67" TALL REMOTE - 406 & 408

### Electrical Data

Model		Fans per Case	High Efficiency Fans		Anti-Condensate Fans		Drain Heaters		Optional Defrost Heaters	
			120 Volts		120 Volts		120 Volts		208 Volts	
			Amps	Watts	Amps	Watts	Amps	Watts	Amps	Watts
HVI-4	406	4	1.2	144	---	---	---	---	---	---
	408	4	1.2	144	---	---	---	---	---	---

### Lighting Data (Cornice)

Model		(Lights per Row) Light Length (in)	Clearvoyant 4 LED Lighting (Per Light Row)	
			Standard Power (Cornice <sup>2</sup> )	
			120 Volts	
			Amps	Watts
HVI-4	406	(4) 6" + (4) 12" + (2) 24"	0.18	17.88
	408	(4) 6" + (4) 12" + (2) 24"	0.22	21.64

### Lighting Data (Shelf)

Model		(Lights per Row) Light Length (in)	Clearvoyant 4 LED Lighting (Per Light Row)	
			Standard Power (Shelf)	
			120 Volts	
			Amps	Watts
HVI-4	406	(6) 6" + (2) 24"	0.12	12.48
	408	(6) 6" + (2) 24"	0.16	16.24

### Guidelines & Control Settings (DX)

Model		Conventional <sup>3</sup> BTUH	Parallel <sup>4</sup> BTUH	Superheat Set Point @ Bulb (°F)	Evaporator (°F)	Discharge Air (°F)	Discharge Air <sup>5</sup> Velocity (FPM)
HVI-4	406	8707	7938	7-9	26	38	---
	408	10100	11145	7-9	26	---	---

### Defrost Controls

Model	Defrosts per Day	Run-Off Time (min)	Electric Defrost		Timed-Off Defrost		Hot Gas Defrost	
			Fail-Safe (min)	Termination Temp (°F)	Fail-Safe (min)	Termination Temp (°F)	Fail-Safe (min)	Termination Temp (°F)
HVI-4	6	---	---	---	60	45	---	---

1 NOTE: "---" indicates data not applicable.

2 High output cornice lights are not available in this case model.

3,4 BTUH values shown include lights.

5 Average discharge air velocity at peak of defrost.

Engineered for stores with ambient conditions not to exceed 75° and 55% relative humidity.

Due to engineering improvements specifications may change without notice.

All measurements are taken per ASHRAE - 72 - 2005 specifications.

Hillphoenix refrigerated display cases for sale in the United States meet or exceed department of energy 2017 efficiency requirements.

Numbers are based on standard case sizes. Consult engineering.



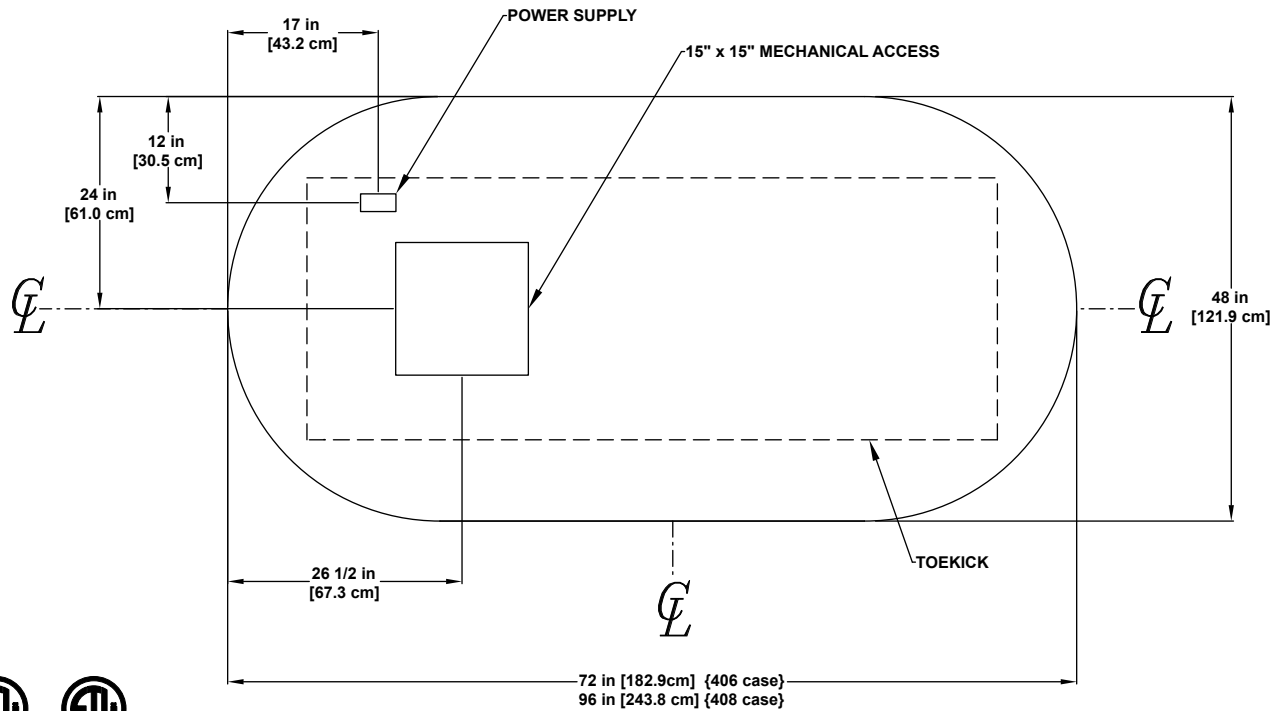
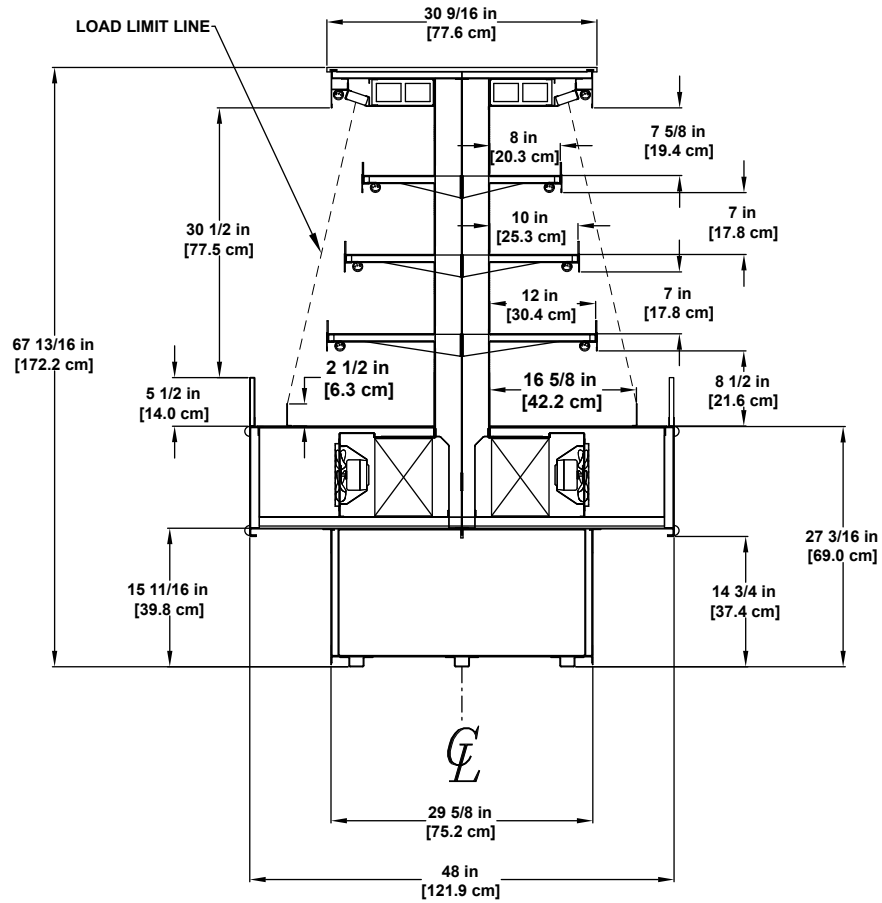
**(SFC) HVI-4-406/408 RADIUS**  
**(4' Deep & 67" Tall Remote)**

**Hillphoenix**

A DOVER COMPANY

SELF-SERVICE  
MULTI-DECK

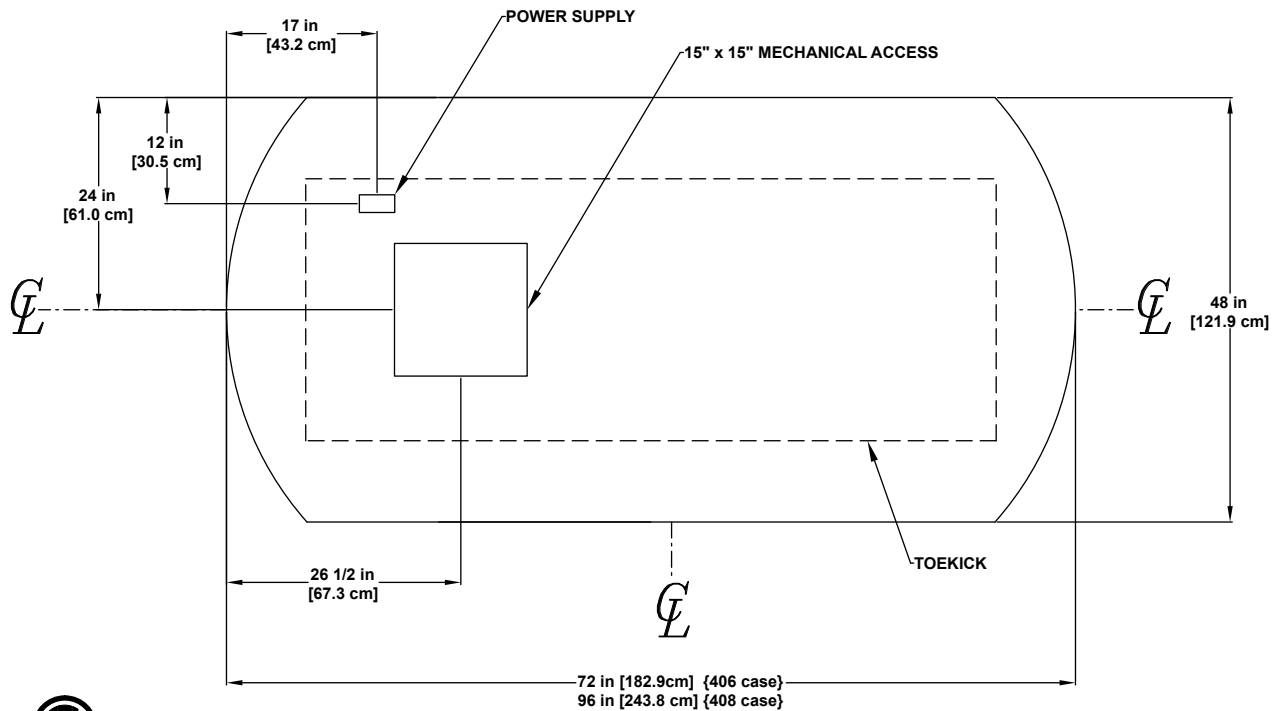
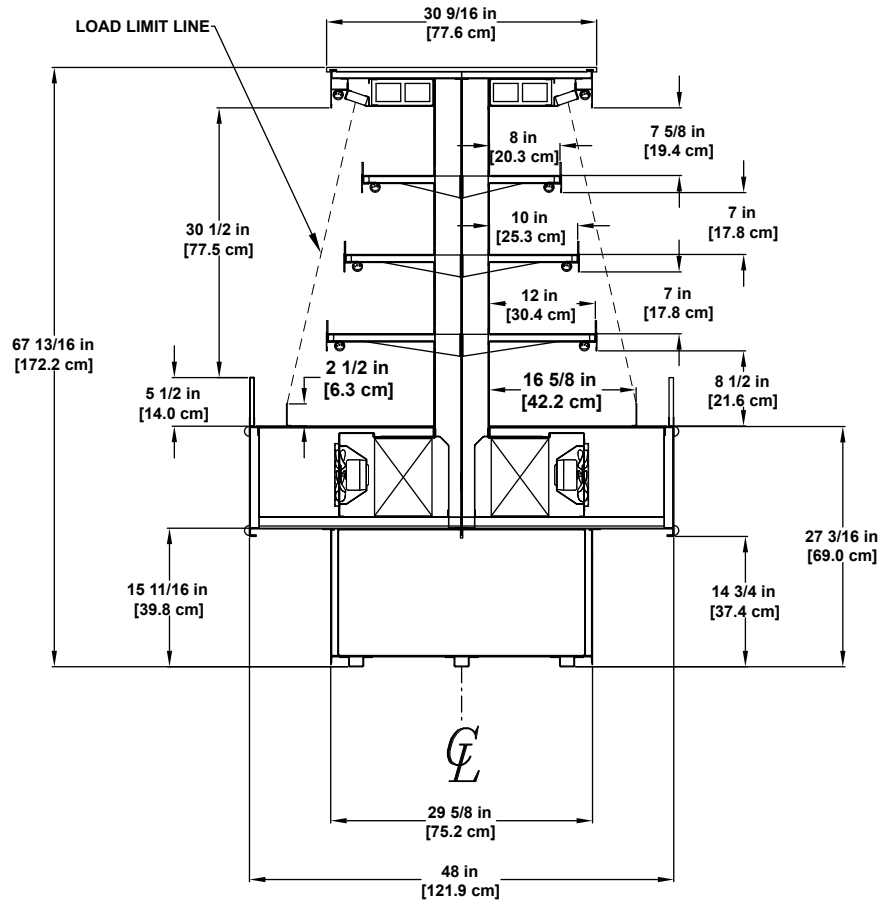
Bakery / Beverage / Dairy / Deli / Produce



(SFC) HVI-4-406/408 CURVED  
(4' Deep & 67" Tall Remote)

**Hillphoenix**

A DOVER COMPANY



\*SHOWN WITH OPTIONAL CURVED ENDS